



**GHB-1330  
GHB-1340A**

**METAL LATHE**

**321350T....400/50/3**

**321357T....400/50/3**

**PARTS LIST  
ERSATZTEILLISTE  
LISTE DE PIECES**



**JPW Tool Group Hong Kong Limited**

98 Granville Road, Tsimshatsui East, Kowloon, Hong Kong, PRC

[www.jettools.com](http://www.jettools.com)

**Импортер в РФ: ООО «ИТА Технолджи»**

105082, Москва, Переведеновский пер., д. 17

[www.jettools.ru](http://www.jettools.ru)

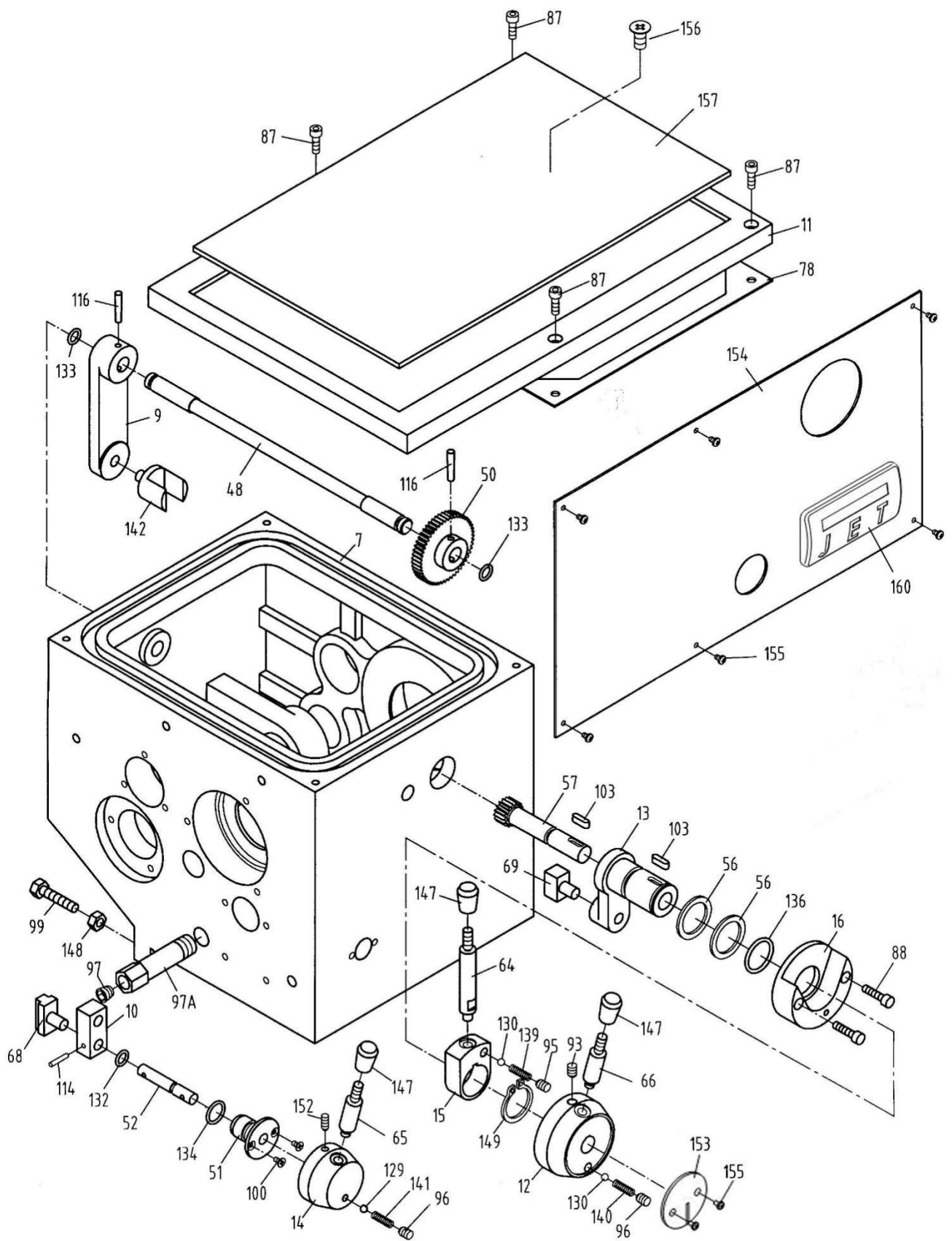
Made in PRC / Сделано в КНР

P-321350T\_321357T

2022-09

## Table of Contents

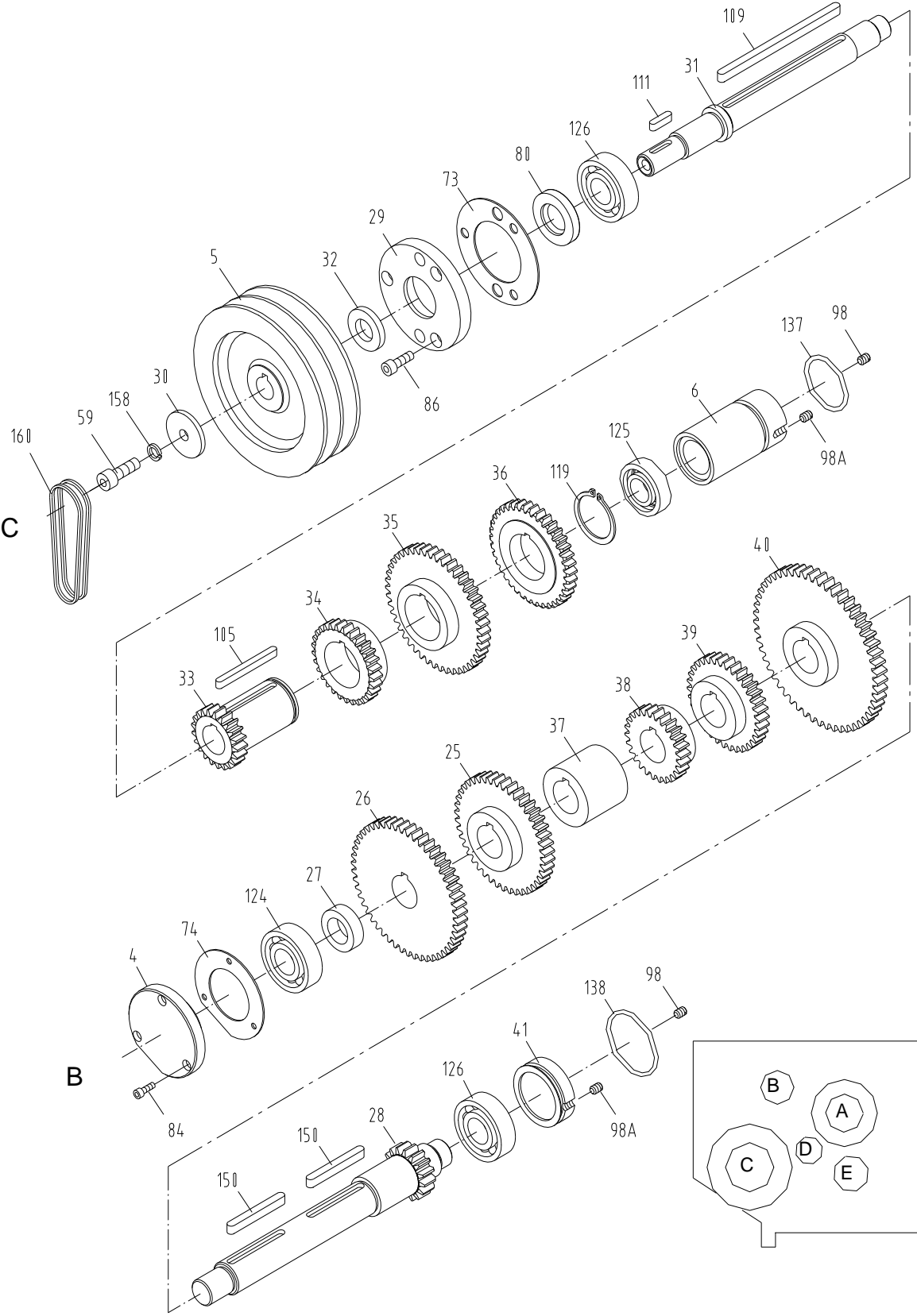
Table of Contents .....	1
Headstock Assembly I.....	2-3
Headstock Assembly II.....	4-5
Headstock Assembly III.....	6-7
GHB-1340A Bed Assembly I .....	8-10
GHB-1330 Bed Assembly I.....	11-13
Bed Assembly II.....	14-15
Bed Assembly III.....	16
Gear Assembly I .....	17-18
Gear Assembly II .....	19-20
Gear Assembly III .....	21-22
Apron Assembly I .....	23-24
Apron Assembly II .....	25-26
Apron Assembly III .....	27
Micro Carriage Stop Assembly.....	28
Top Slide, Tool Post, Saddle and Cross Slide Assembly I.....	29-30
Top Slide, Tool Post, Saddle and Cross Slide Assembly II.....	31-33
Tailstock Assembly I .....	34-35
Tailstock Assembly II.....	36
Follow Rest.....	37
Steady Rest .....	38-39
Protecting guards for three rods.....	40
Total Leadscrew cover .....	41
Chuck Guard .....	42
Tool post Guard.....	43
Brake Assembly.....	44
Additional Parts .....	45
Electrical Schematic .....	46
Electrical Wiring Photo .....	47



**GHB-1330 / 1340A Headstock Assembly I**

<b>Index No.</b>	<b>Part No.</b>	<b>Description</b>	<b>Size</b>	<b>Qty.</b>
7	GHB1340A-02101-G	Gear Box		1
9	04109	Shift Lever		1
10	04111	Shaft Housing		1
11	GHB1340A-02102-G	Cover		1
12	GHB1340A-04117-G	Handle Hub		1
13	04121	Shaft Collar		1
14	GHB1340A-04120-G	Handle Hub		1
15	GHB1340A-04119-G	Handle Block		1
16	GHB1340A-04118-G	Hub		1
48	04232	Shaft		1
50	04234	Gear	1.25m51T	1
51	04235	Collar		1
52	04250	Shaft		1
56	04240	Spacer		1
57	04241	Gear Shaft	1.25m17T	1
64	GHB1340A-04248-G	Handle		1
65	GHB1340A-04248-1-G	Handle		1
66	GHB1340A-04249-G	Handle		1
68	04402	Shift Fork		1
69	04403	Shift Fork		1
78	GHB1340-4506	Gasket		1
87	TS-1503051	Hex Socket Cap Screw	M6x20	4
88	TS-1503061	Hex Socket Cap Screw	M6x25	2
93	TS-1523061	Set Screw	M6x18	1
95	TS-1524011	Set Screw	M8x8	1
96	TS-1524021	Set Screw	M6x12	2
97	GHB1340A-97	Plug	Z1/4"	1
97A	GHB1340A-97A	Oil Drain Plug		1
99	TS-1490071	Hex Cap Screw	M8x40	2
100	GHB1340-100	Screw	M4x8	4
103	GHB1340-103	Flat Key	5x15	2
114	GHB1340-114	Pin	4x18	1
116	GHB1340-116	Pin	5x30	2
129	SB-5MM	Steel Ball	5	1
130	SB-6MM	Steel Ball	6	2
132	GHB1340-132	O-Ring	10x1.9	1
133	GHB1340-133	O-Ring	14x2.4	2
134	GHB1340-134	O-Ring	20x2.4	2
136	GHB1340-136	O-Ring	30x3.1	1
139	GHB1340-139	Spring	1x6x7	1
140	GHB1340-140	Spring	1x6x20	1
141	GHB1340-141	Spring	0.6x4.4x20	1
142	04235A	Shift Fork		1
147	GHB1340-147	Knob	M8x40	3
148	TS-1540061	Nut	M8	2
149	GHB1340-120	C-Clip	30	1
152	TS-1523041	Set Screw	M6x12	1
153	GHB1340A-153	Round Sign Plate (Serial#1601XXXX and lower)		1
	GHB1340A-02303-2	Round Sign Plate (Serial#1602XXXX and higher)		1
154	GHB1340A-02301E	Label Plate (Serial#16011168 and lower)	GHB-1340A	1
	GHB1330-02301	Label Plate (Serial#16011119 and lower)	GHB-1330	1
	GHB1340A-02301A-50	Label Plate (Serial#1602XXXX and higher)		1
155	GHB1340A-155	Screw (Serial#1601XXXX and lower)	M3x5	8
	GB2672-M3X6	Screw (Serial#1602XXXX and higher)	M3x6	8
156	GHB1340A-156	Screw	M10x18	1
157	GHB1340A-02502	Rubber Mat		1
	GHB1340A-160	Oil Sight Glass (not show) (Serial #1009XXXX and lower)		1
			Ø30	1
	06551M	Oil Sight Glass (Serial #1010XXXX and higher)	M27x1.5	1
160	JET-92	Label (Serial#1602XXXX and higher)		1

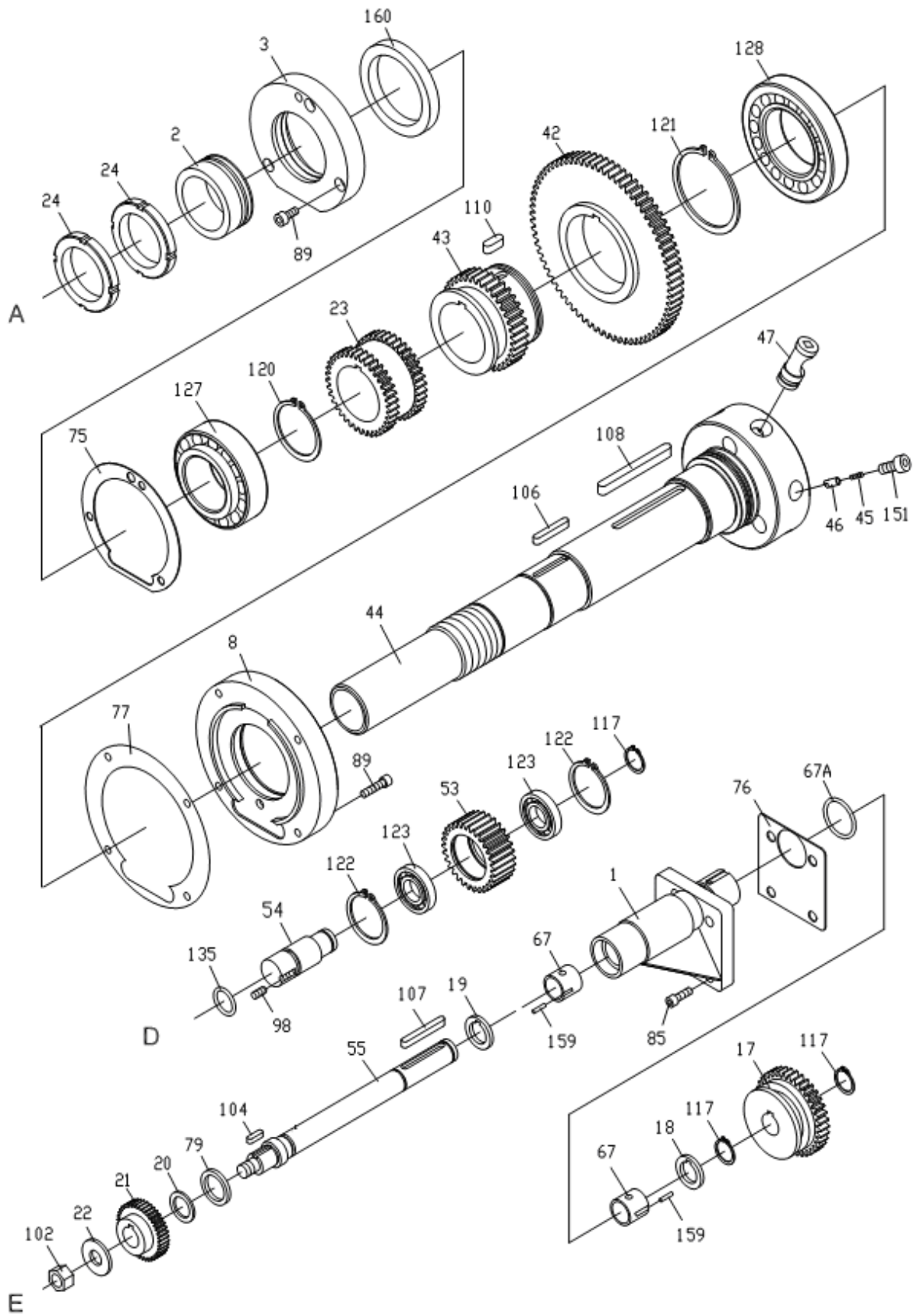
GHB-1330 / 1340A Headstock Assembly II



## GHB-1330 / 1340A Headstock Assembly II

Index No.	Part No.	Description	Size	Qty.
4	04104Z	Rear Cover		1
5	04105	Pulley		1
6	GHB1340-4106	Plug		1
25	04209	Gear	2m43T	1
26	GHB1340-4210	Gear	2m51T	1
27	04211	Spacer		1
28	04212	Gear Shaft	2.25m16T	1
29	04213A	Cover		1
30	04214	Flat Washer		1
31	04215	Shaft		1
32	04216	Spacer		1
33	04217	Collar w/Gear	2m21T	1
34	04218	Gear	2m29T	1
35	04219	Gear	2m46T	1
36	04220	Gear	2m38T	1
37	04221	Collar		1
38	04222	Gear	2m26T	1
39	04223	Gear	2m34T	1
40	04224	Gear	2.25m53T	1
41	04225	Plug		1
59	TS-1504041	Socket Head Cap Screw	M8x20	1
73	GHB1340-4501	Gasket		1
74	GHB1340-4502	Gasket		1
80	GHB1340-4508	Oil Seal	20x40	1
84	TS-1501041	Hex Socket Cap Screw	M4x12	3
86	TS-1503031	Hex Socket Cap Screw	M6x12	3
98	TS-1523031	Set Screw	M6x8	4
98A	GH-1440K-02752	Screw		2
105	GHB1340-105	Flat Key	5x50	1
109	GHB1340-109	Flat Key	6x120	1
111	GHB1340-111	Flat Key	5x20	1
119	GHB1340-119N	C-Clip	35	1
124	GHB1340-124	Bearing	20x47x14	1
125	GHB1340-125	Bearing	17x40x12	1
126	GHB1340-126	Bearing	20x47x14	2
137	GHB1340-137	O-Ring	40x3.1	1
138	GHB1340-138	O-Ring	47x3.1	1
150	GHB1340A-150	Flat Key	6x55	2
158	TS-1551061	Lock Washer	M8	1
160	VB-A762	V-Belt	A762	2

# GHB-1330 / 1340A Headstock Assembly III

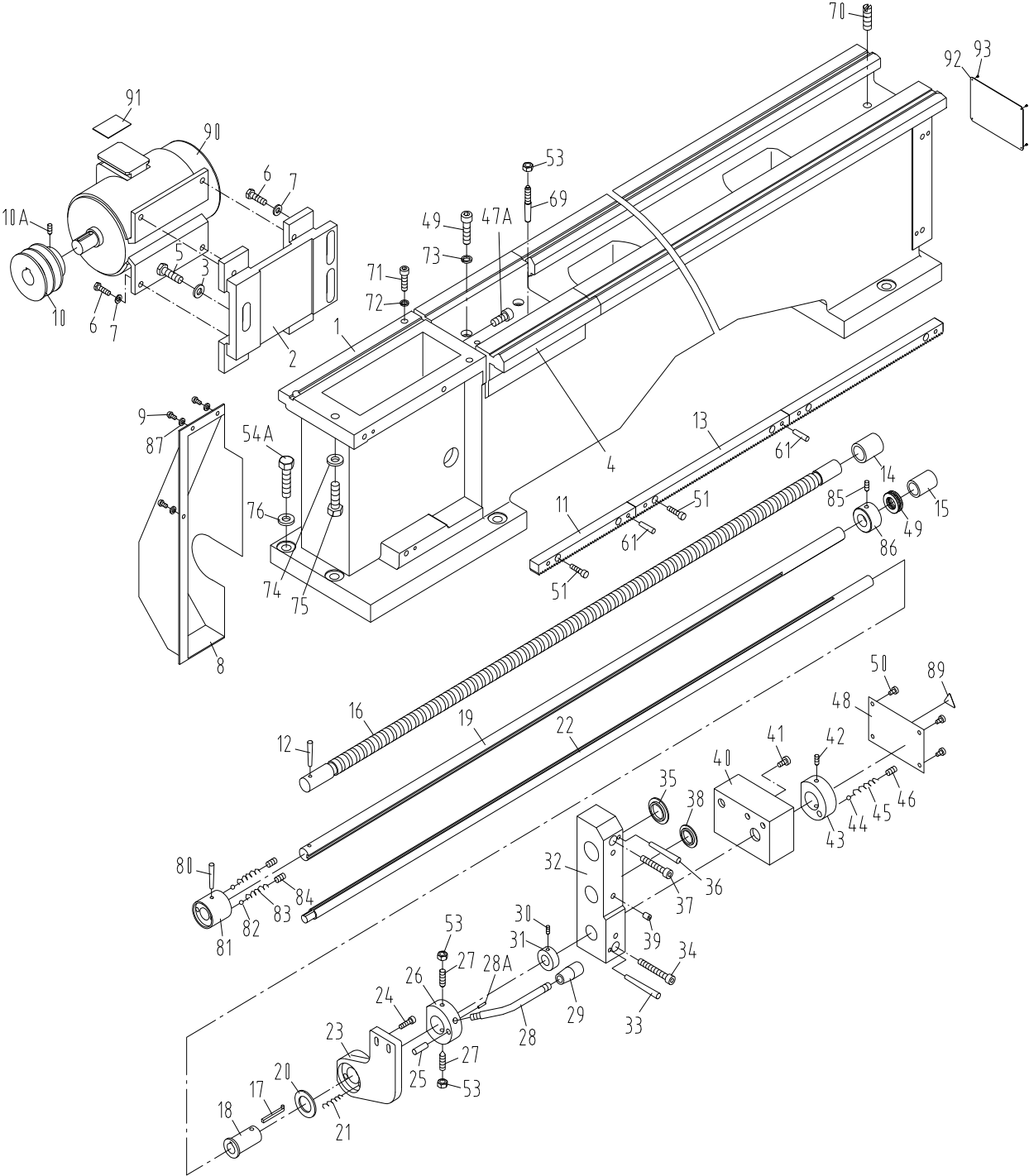


## GHB-1330 / 1340A Headstock Assembly III

Index No.	Part No.	Description	Size	Qty.
1	GHB1340A-02103N	Collar		1
2	C0632A-02117A	Collar (GHB-1340A Serial#07060272 and higher)		1
		Collar (GHB-1330 Serial#07060163 and higher)		1
	04102	Collar (GHB-1340A Serial#07050271 and lower)		1
		Collar (GHB-1330 Serial#07050162 and lower)		1
3	C0632A-02115A	Rear Cover (GHB-1340A Serial#07060272 and higher)		1
		Rear Cover (GHB-1330 Serial#07060163 and higher)		1
	GHB1340-4103N	Rear cover (GHB-1340A Serial#07050271 and lower)		1
		Rear cover (GHB-1330 serial#07050162 and lower)		1
8	04108Z-G	Front Cover		1
17	04201	Gear	2m37T	1
18	04202Z	Spacer		1
19	04203Z	Spacer		1
20	04204	Spacer		1
21	04205E	Gear	1.25m36T	1
22	04206	Washer	12	1
23	04207A	Gear	2m37T	1
24	04208	Lock Nut		2
42	04226	Gear	2.25m74T	1
43	04227	Gear	2.25m37T	1
44	GHB1340A-02702	Spindle		1
45	04229	Spring	0.6x4x16	3
46	04230	Pin		3
47	04231	Cam		3
53	04237	Gear	2m30T	1
54	04238	Shaft		1
55	GHB1340A-02701N	Shaft		1
67	04401	Collar		2
67A	GHB1340A-67A	O-ring	32x3.1	1
75	GHB1340-4503N	Gasket		1
76	GHB1340A-02501N	Gasket		1
77	GHB1340A-4505	Gasket		1
79	GB13871 B-22x35x7	Oil Seal	B-22x35x7	1
85	TS-1502041	Hex Socket Cap Screw	M5x16	4
89	TS-1503061	Hex Socket Cap Screw	M6x25	7
98	TS-1523031	Set Screw	M6x8	1
102	TS-1540081	Hex Nut	M12	1
104	GHB1340-104	Flat Key	5x18	1
106	GHB1340-106	Flat Key	6x40	1
107	GHB1340-107	Flat Key	6x50	1
108	GHB1340-108	Flat Key	8x85	1
110	GHB1340-110	Flat Key	8x18	1
117	GHB1340-117N	C-Clip	20	2
120	GHB1340-120	C-Clip	50	1
121	GHB1340-121	C-Clip	72	1
122	GHB1340-122	C-Clip	42	2
123	GHB1340-123	Bearing	20x42x8	2
127	GHB1340-127	Bearing	50x90x20	1
128	GHB1340-128	Bearing	60x110x22	1
135	GHB1340-135	O-Ring	25x2.4	1
151	GHB1340A-151	Hex Socket Cap Screw	M8x18	3
159	GHB1340A-159	Pin	2x16	2
160	GB13871 B-60x80x8	Oil Seal (GHB-1340A Serial#7060272 and higher)	B-60x80x8	1
		Oil Seal (GHB-1330 serial#7060163 and higher)	B-60x80x8	1



**GHB-1340A Bed Assembly I**



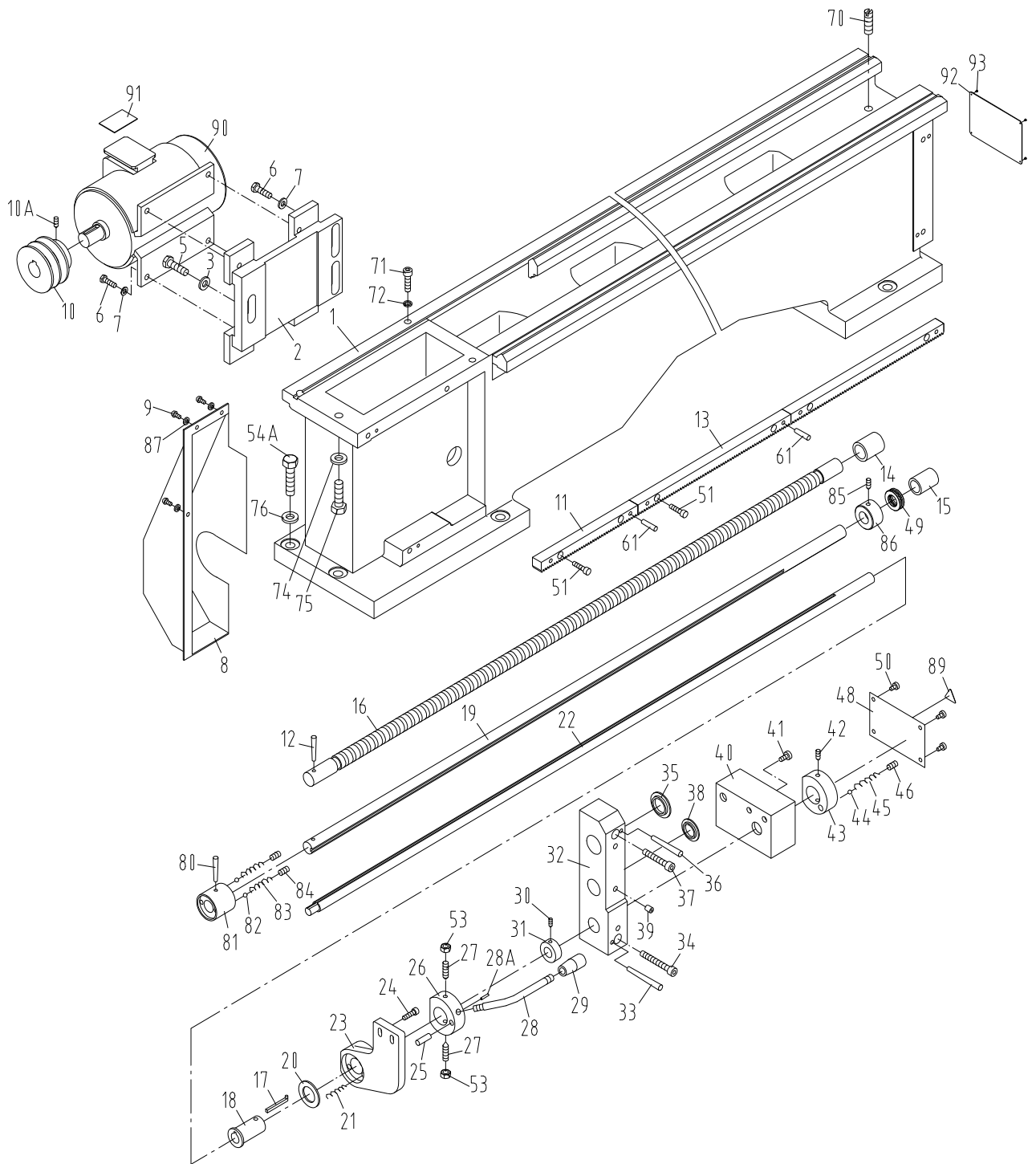
## GHB-1340A Bed Assembly I

Index No.	Part No.	Description	Size	Qty.
1	GHB1340A-01101-G	Bed		1
2	01110-G	Motor Base		1
3	TS-1550071	Flat Washer	M10	1
4	01102-G	Gap		1
5	TS-149105	Hex Cap Bolt	M10x35	3
6	TS-1490041	Hex Cap Bolt	M8x25	4
7	TS-1550061	Flat Washer		4
8	GHB1340A-02703	End Cover (Serial#1601XXXX and lower)		1
	GHB1340A-02703A-G	End Cover (Serial#1602XXXX and higher)		1
9	GHB1340A-9B	Screw	M5x8	3
10	GHB1340-MP	Pulley		1
10A	TS-1523041	Set Screw	M6x12	1
11	01203	Rack		1
12	GHB1340A-12B	Shearing Pin	5x35	2
13	01204-2	Rack		2
14	32A1105	Collar		1
15	32A1106	Collar		1
16	GHB1340A-1701E	Lead Screw	GHB-1340A	1
17	321728	Key		1
18	321706	Collar		1
19	GHB1340A-1702	Feed Rod	GHB-1340A	1
20	01707	Brake Ring		1
21	GHB1340A-21B	Spring	1x7.5x25	3
22	GHB1340A-1703	Shaft	GHB-1340A	1
23	32A1103A -G	Bracket		1
24	TS-1503061	Hex Socket Cap Screw	M6x22	4
25	GHB1340A-25B	Pin	6x25	1
26	32A1710	Handle Hub		1
27	TS-1524061	Screw	M8x28	2
28	01710A	Handle		1
28A	GHB1340A-77	Pin	3x10	1
29	GHB1340A-29B	Knob	BM10x50	1
30	TS-1522031	Set Screw	M5x8	1
31	01708	Collar		1
32	32A1104A-G	Bracket		1
33	GHB1340A-33B	Pin	6x70	1
34	TS-1504131	Hex Socket Cap Screw	M8x65	1
35	32A1502	Plug		1
36	GHB1340A-36B	Pin	6x65	2
37	TS-1504121	Hex Socket Cap Screw	M8x60	2
38	32A1502	Plug		1
39	GHB1340A-39B	Oil Ball	8	3
40	32A1301-G	Shaft Support		1
41	TS-1504041	Hex Socket Cap Screw	M8x20	4
42	TS-1523051	Screw	M6x16	1
43	32A1705	Bushing		1
44	SB-6MM	Steel Ball	6	1
45	GHB1340A-45B	Spring	1x5x22	1
46	TS-1524041	Screw	M8x16	1
47A	TS-1525021	Set Screw	M10x12	1
48	32A1504-G	Shaft Box Cover		1
49	8104	Bearing		1
50	TS-1502021	Socket Head Cap Screw	M5x10	4
51	TS-1503061	Hex Socket Cap Screw	M6x25	8
53	TS-1540061	Hex Nut	M8	4
54A	TS-1492061	Hex Cap Bolt	M12x60	6
61	GHB1340-61B	Pin	6x30	8
69	GHB1340-69B	Pin	8x60	2
70	GHB1340A-74B	Set Screw	M12x40	1
71	TS-1516051	Hex Socket Cap Screw	M10x40	2

### GHB-1340A Bed Assembly I

Index No.	Part No.	Description	Size	Qty.
72	TS-1551071	Lock Washer	M10	4
73	TS-1551071	Lock Washer	M10	4
74	TS-1550071	Flat Washer	M10	4
75	TS-1505071	Hex Socket Cap Screw	M10x45	2
76	TS-2360121	Flat Washer	12	6
80	GB879E 5x35	Pin	5x35	1
81	GH1440A-0105E	Clutch		1
82	GB308-6E	Steel Ball	6	2
83	GHB1340A-83B	Spring		2
84	TS-1524021	Set screw	M8x10	2
85	TS-1524021	Set screw	M8x10	1
86	GH1440A-0116E	Collar		1
87	GHB1340A-087E	Flat Washer	5	3
89	C613618302	Warning Label		1
90	321320EA	Main Motor	.2HP 400V 50Hz $\phi$ 28	1
	GHB1340-JB	Motor Junction Box		1
91	K988	Motor Label		1
92	GHB1340A-01301	Motor Label (Serial#1601XXXX and lower)		1
	GHB1340A-01301-1	Motor Label (Serial#1602XXXX and higher)		1
93	GB827-2x3	Rivet	2x3	4

# GHB-1330 Bed Assembly I



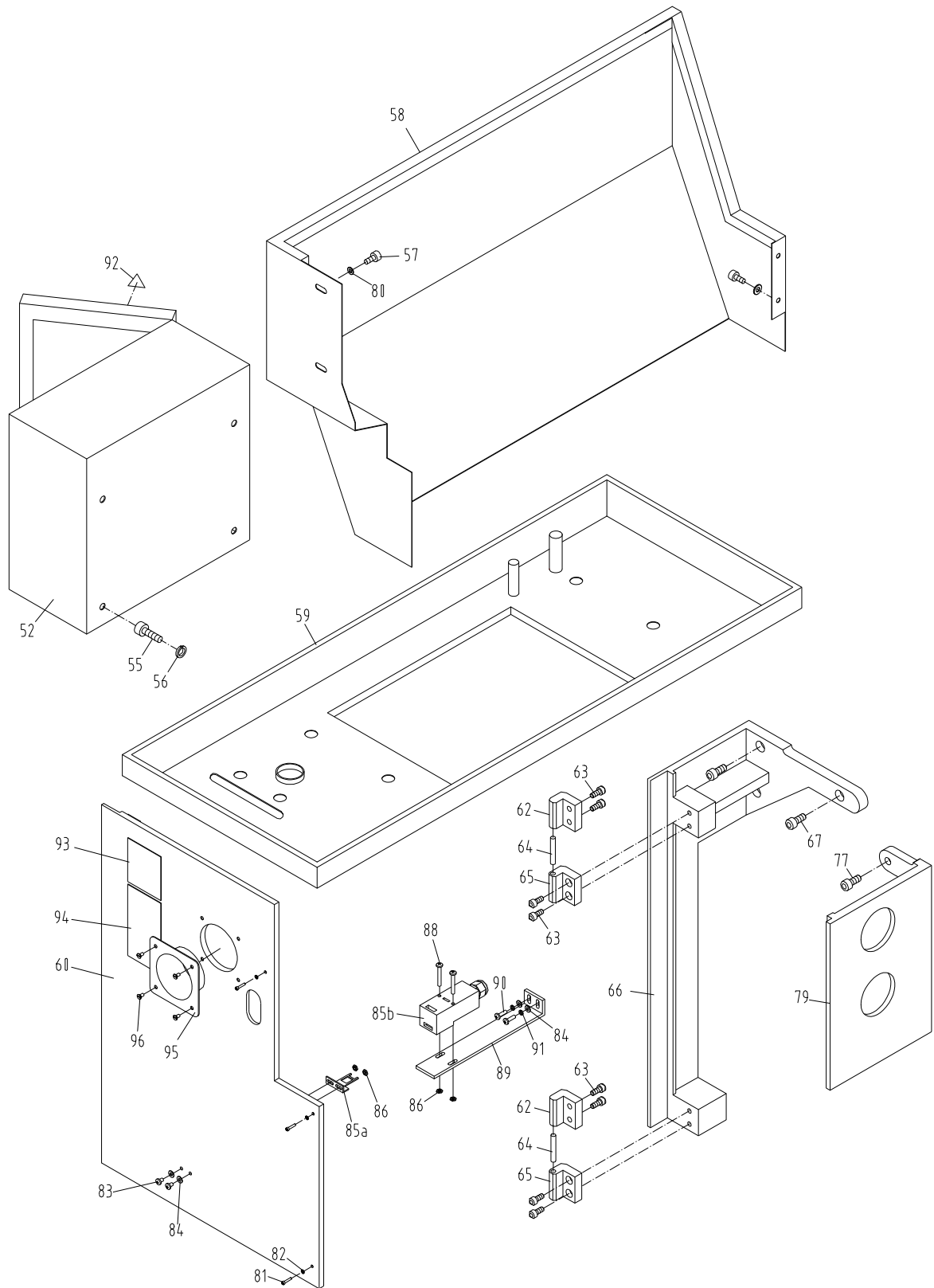
## GHB-1330 Bed Assembly I

Index No.	Part No.	Description	Size	Qty.
1	GHB1330-01101-G	Bed		1
2	01110-G	Motor Base		1
3	TS-1550071	Flat Washer	M10	1
5	TS-149105	Hex Cap Bolt	M10x35	3
6	TS-1490041	Hex Cap Bolt	M8x25	4
7	TS-1550061	Flat Washer		4
8	GHB1340A-02703	End Cover (Serial#1601XXXX and lower)		1
	GHB1340A-02703A-G	End Cover (Serial#1602XXXX and higher)		1
9	GHB1330-9B	Screw	M5x8	3
10	GHB1340-MP	Pulley		1
10A	TS-1523041	Set Screw	M6x12	1
11	C0632-01704/155	Rack		1
12	GHB1330-12B	Shearing Pin	5x35	2
13	C0632-01704/323.5	Rack		2
14	32A1105	Collar		1
15	32A1106	Collar		1
16	GHB1330-1702/750	Lead Screw	GHB-1330	1
17	321728	Key		1
18	321706	Collar		1
19	GHB1330-1702/750	Feed Rod	C0632A/750	1
20	01707	Brake Ring		1
21	GHB1330-21B	Spring	1x7.5x25	3
22	GHB1330-1703/750	Shaft	C0632A/750	1
23	32A1103A-G	Bracket		1
24	TS-1503061	Hex Socket Cap Screw	M6x22	4
25	GHB1330-25B	Pin	6x5	1
26	32A1710	Handle Hub		1
27	TS-1524061	Screw	M8x28	2
28	01710A	Handle		1
28A	GHB1330-77	Pin	3x10	1
29	GHB1330-29B	Knob	BM10x50	1
30	TS-1522031	Set Screw	M5x8	1
31	01708	Collar		1
32	32A1104A-G	Bracket		1
33	GHB1330-33B	Pin	6x70	1
34	TS-1504131	Hex Socket Cap Screw	M8x65	1
35	32A1502	Plug		1
36	GHB1330-36B	Pin	6x65	2
37	TS-1504121	Hex Socket Cap Screw	M8x60	2
38	32A1502	Plug		1
39	GHB1330-39B	Oil Ball	8	3
40	32A1301-G	Shaft Support		1
41	TS-1504041	Hex Socket Cap Screw	M8x20	4
42	TS-1523051	Screw	M6x16	1
43	32A1705	Bushing		1
44	SB-6MM	Steel Ball	6	1
45	GHB1330-45B	Spring	1x5x22	1
46	TS-1524041	Screw	M8x16	1
48	32A1504-G	Shaft Box Cover		1
49	8104	Bearing		1
50	TS-1502021	Socket Head Cap Screw	M5x10	4
51	TS-1503061	Hex Socket Cap Screw	M6x25	8
54A	TS-1492061	Hex Cap Bolt	M12x60	6
61	GHB1330-61B	Pin	6x30	8
70	GHB1330-74B	Set Screw	M12x40	1
71	TS-1516051	Hex Socket Cap Screw	M10x40	2
72	TS-1551071	Lock Washer	M10	4
74	TS-1550071	Flat Washer	M10	4
75	TS-1505071	Hex Socket Cap Screw	M10x45	2

## GHB-1330 Bed Assembly I

Index No.	Part No.	Description	Size	Qty.
76	TS-2360121	Flat Washer	12	6
80	GB879E 5x35	Pin	5x35	1
81	GHB1330-0105E	Clutch		1
82	GB308-6E	Steel Ball	6	2
83	GHB1330A-83B	Spring		2
84	TS-1524021	Set screw	M8x10	2
85	TS-1524021	Set screw	M8x10	1
86	GHB1330-0116E	Collar		1
87	GHB1330-087E	Flat Washer	5	3
89	C613618302	Warning Label		1
90	321320EA	Main Motor	.2HP 400V 50Hz $\phi$ 28	1
	GHB1340-JB	Motor Junction Box		1
91	K988	Motor Label		1
92	GHB1340A-01301	Label (Serial#1601XXXX and lower)		1
	GHB1340A-01301-1	Label (Serial#1602XXXX and higher)		1
93	GB827-2x3	Rivet	2x3	4

# GHB-1330/1340A Bed Assembly II

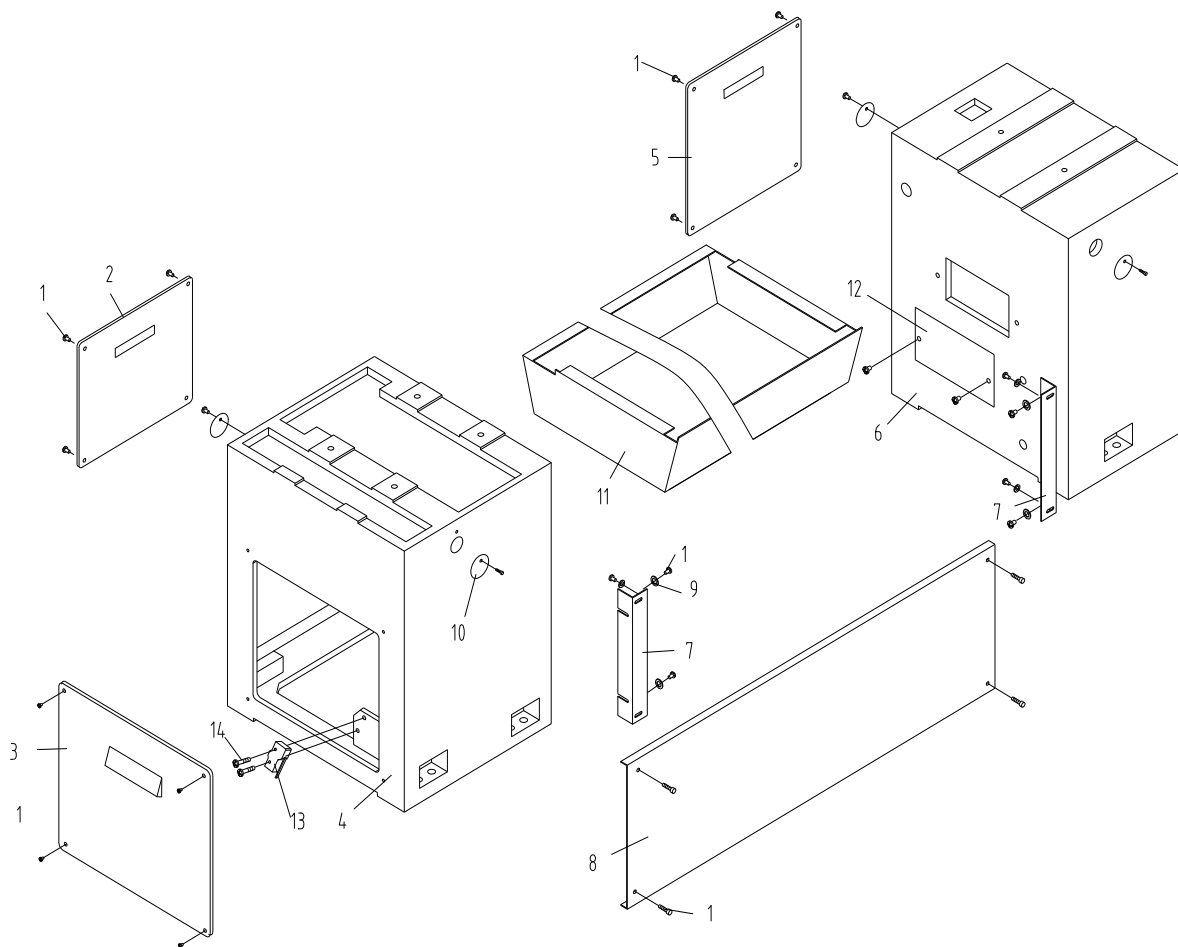


## GHB-1330 / 1340A Bed Assembly II

Index No.	Part No.	Description	Size	Qty.
52	GHB1340A-18701-G	Electrical Box		1
55	GHB1340A-55B	Screw	M6x20	4
56	TS-1551041	Lock Washer	6	4
57	GHB1340A-57B	Screw	M6x10	4
58	GHB1340A-12701	Splash Guard (Serial #13051026 and lower)	GHB-1340A	1
	GHB1340A-12701B-G	Splash Guard (Serial #13081027 and higher)	GHB-1340A	1
	C0632A-12701/750	Splash Guard (Serial #13010997 and lower)	GHB-1330	1
	GHB1330-12701B-G	Splash Guard (Serial #13060998 and higher)	GHB-1330	1
59	GHB1340A-01701-G	Oil Plate	GHB-1340A	1
	GHB1330-01701-G	Oil Plate	GHB-1330	1
60	GHB1340A-02302-G	Back Cover (Serial #1908XXXX and lower)		1
	GHB1340A-02705	Back Cover (Serial #1911XXXX and higher)		1
62	ZX-8712	Upper Hinge		2
63	TS-1503041	Hex Socket Cap Screw	M6x14	8
64	GHB1340A-64B	Pin	10m6 x40	2
65	ZX-8711	Lower Hinge		2
66	GHB1340A-02105-G	Rear Side Plate		1
67	TS-1504031	Hex Socket Cap Screw	M8x14	3
77	TS-1502041	Hex Socket Cap Screw	M5x14	3
79	GHB1340A-02104-G	Front Side Plate		1
80	TS-1550041	Flat Washer	6	4
81	TS-1502061	Hex Socket Cap Screw	M5x25	3
82	TS-1550031	Flat Washer	5	3
83	GB818-M4X12	Cross Recessed Pan Head Screw	M4x12	2
84	TS-1550021	Flat Washer	4	4
85	ZH-SQ1	Door Switch Assembly	QKS8	1
85a	QKS8-2	Door Switch	QKS8-2	1
85b	QKS8-1	Door Switch	QKS8-1	1
86	TS-1540021	Hex Nut	M4	4
88	GB818-M4X40	Cross Recessed Pan Head Screw	M4x40	2
89	GHB1340A-18703A	Bracket		1
90	GB818-M4X14	Cross Recessed Pan Head Screw	M4x14	2
91	TS-1551021	Spring Washer	4	2
92	C6136-18302	Warning Label		1
93	GHB1330-K971	ID Label	GHB-1330	1
	GHB1340-K973	ID Label	GHB-1340A	1
94	GHB1340A-11304-12	Warning Label (Serial #1911XXXX and higher)		1
95	GH-1440K-02760	Cover (Serial #1911XXXX and higher)		1
96	GB818- M5X10	Screw (Serial #1911XXXX and higher)	M5x10	4



## GHB-1330 / 1440A Bed Assembly III

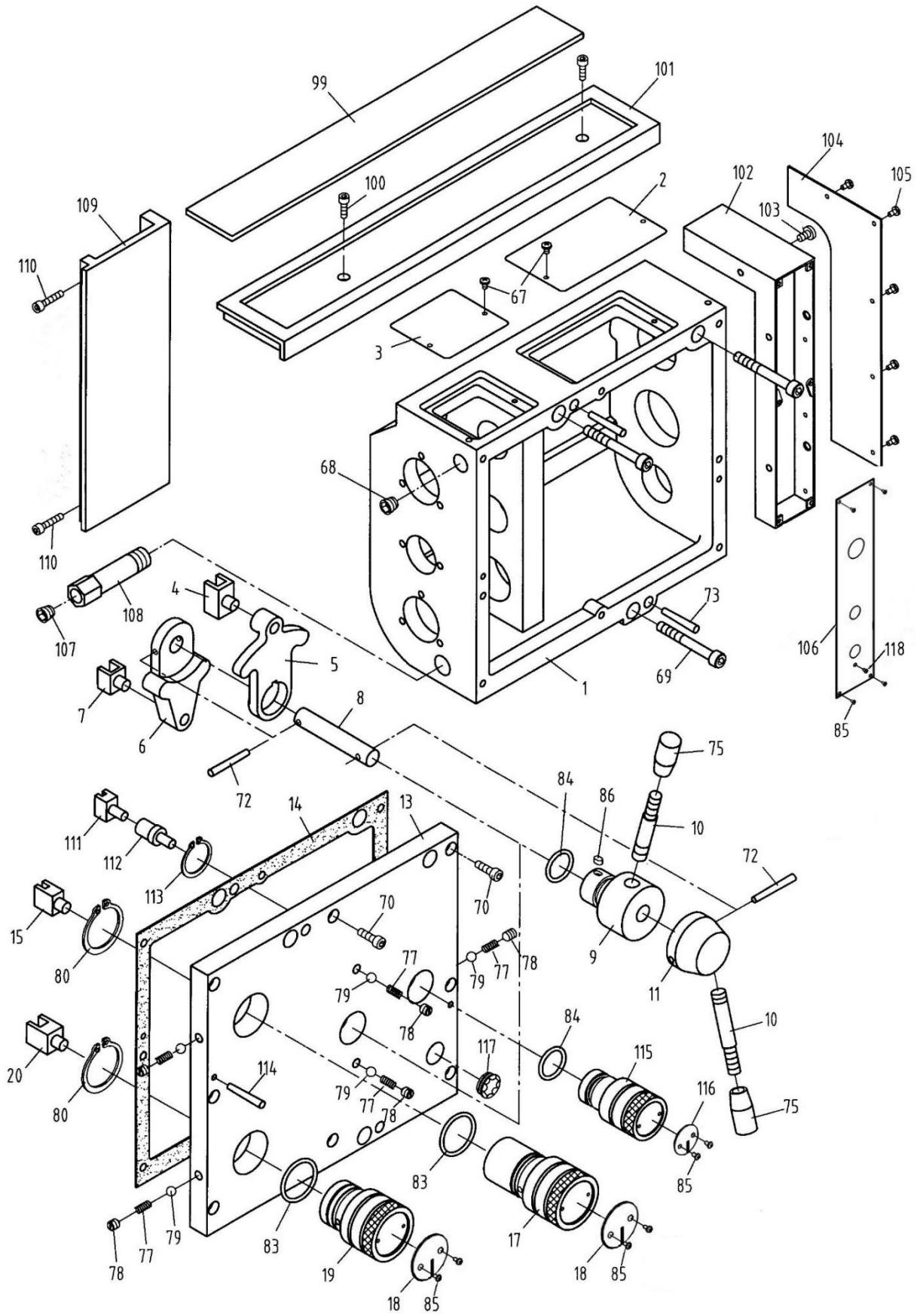


### Bed Assembly III

#### Index Part

No.	No.	Description	Size	Qty.
1	GHB1340A-57B	Hex Socket Cap Screw	M6x10	30
2	GH1440A-01725	Cover		1
3	GH1440A-01724	Cover		1
4	GH1440A-01103	Pedestal (left)		1
5	GH1440A-01733	Cover		1
6	GH1440A-01104	Pedestal (right)		1
7	GH1440A-01736	Bracket		2
8	GHB-1340A-01702A/1000	Front Plate		1
	GHB-1340A-01702B/750	Front Plate		1
9	GHB1340A-080E	Plain Washer	.6	30
10	C0632-01733	Cover		4
11	C0632-23706A/1000	Oil Plate		1
	C0632-23706/750	Oil Plate		1
12	GHB1340A-01720	Cover		1
13	GHB1340-SQ4	Stroke Switch	TM1701	1
14	GHB1340A-SG18	Slotted Pan Head Screw	M4x25	2

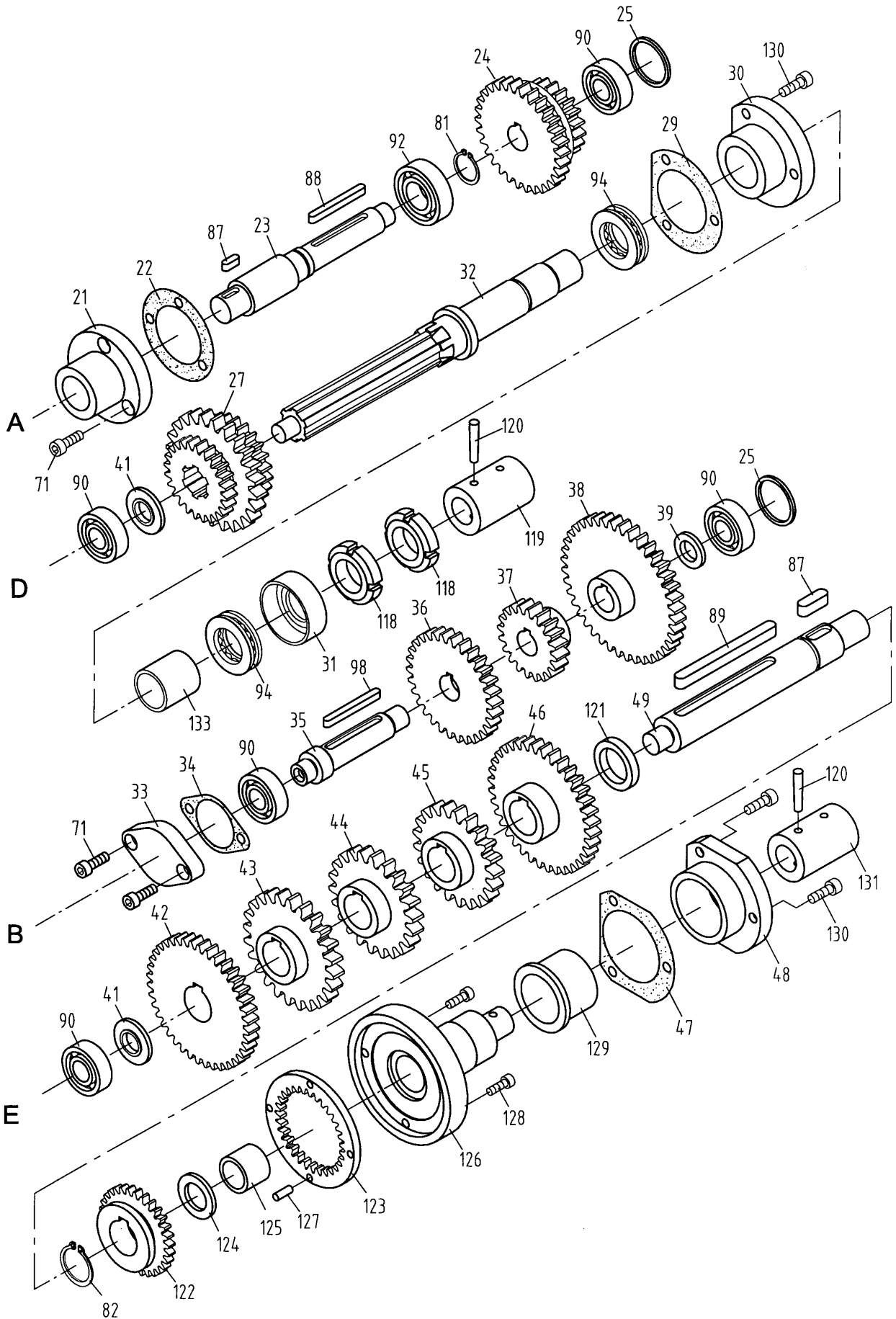
# GHB-1330 / 1340A Gear Assembly I



**GHB-1330 / 1340A Gear Assembly I**

<b>Index No.</b>	<b>Part No.</b>	<b>Description</b>	<b>Size</b>	<b>Qty.</b>
1	05101A-G	..... Casting .....		1
2	05715-G	..... Right cover .....		1
3	05720-G	..... Left cover .....		1
4	32A5308	..... Slipper .....		1
5	32A5111A	..... Lever .....		1
6	32A5108A	..... Lever .....		1
7	32A5307	..... Slipper .....		1
8	32A5702	..... Shaft .....		1
9	32A5109-G	..... Handle Base .....		1
10	32A5701-G	..... Lever Base .....		2
11	32A5110-G	..... Handle Base .....		1
13	GHB1340A-5106-G	..... Cover .....		1
14	05504	..... Gasket .....		1
15	32A5305	..... Slipper .....		1
17	32A5106-G	..... Handle .....		1
18	32A5302	..... Plate (Serial#1601XXXX and lower) .....		2
	C0632B05302-2	..... Plate (Serial#1602XXXX and higher) .....		2
19	32A5103-G	..... Handle .....		1
20	32A5306	..... Slipper .....		1
67	GHB1340A-G67	..... Screw .....	M4x6	4
68	GHB1340A-G68	..... Oil Ball Nut .....	ZG3/8"	2
69	GHB1340A-G69	..... Socket Head Cap Screw .....	M8x65	3
70	TS-1503061	..... Socket Head Cap Screw .....	M6x25	8
73	GHB1340A-G73	..... Pin .....	5x40	2
75	GHB1340A-G75	..... Knob .....	BM10x50	2
77	GHB1340A-G77	..... Spring .....	0.8x5x25	5
78	TS-1524021	..... Socket Head Cap Screw .....	M8x10	5
79	SB-6.5MM	..... Steel Ball .....	6.5	5
80	GHB1340A-G80	..... C-clip .....	40	2
83	GHB1340A-G83	..... O-Ring .....	40x3.1	2
84	GHB1340A-G84	..... O-Ring .....	30x3.1	2
85	GHB1340A-G85	..... Screw (Serial#1601XXXX and lower) .....	M3x6	10
	GB2672-M3X6	..... Screw (Serial#1602XXXX and higher) .....	M3x6	10
86	GHB1340A-G86	..... Flat Key .....	5x8	1
99	GHB1340A-05503	..... Rubber Mat .....		1
100	TS-1502041	..... Socket Set Screw .....	M5x16	2
101	GHB1340A-05105-G	..... Top Cover .....		1
102	05723-G	..... Cover .....		1
103	GHB1340A-G103	..... Screw .....	M4x8	3
104	05722E-G	..... Plate .....		1
105	GHB1340A-G105	..... Screw .....	M3x5	5
106	GHB1340A-18301A	..... Operation Face Plate (Serial#1601XXXX and lower) .....		1
	GHB1340A-18301A-2	..... Operation Face Plate (Serial#1602XXXX and higher) .....		1
107	GHB1340A-G107	..... Tapered Tap .....	Z1/4"	1
108	05724	..... Oil Drain Pipe .....		1
109	05108-G	..... Extending Plate .....		1
110	TS-1502061	..... Socket Head Cap Screw .....	M5x25	2
111	05305	..... Slipper .....		1
112	05721	..... Slipper Shaft .....		1
113	GHB1340A-G113	..... C-clip .....	30	1
114	GHB1340A-G114	..... Pin .....	5x30	2
115	05107-G	..... Lever .....		1
116	05304	..... Sign Disc (Serial#1601XXXX and lower) .....		1
	GHB1340A-05304-2	..... Sign Disc (Serial#1602XXXX and higher) .....		1
117	06551	..... Oil Sight Glass (Serial #10090751 and lower) .....	GHB-1330	1
		..... Oil Sight Glass (Serial #10090763 and lower) .....	GHB-1340A	1
	06551M	..... Oil Sight Glass (Serial #1010XXXX and higher) .....		1
118	TS-2244122	..... Screw .....	M4x12	1
	GHB1340A-05306B	..... Main Face Plate (Serial#1601XXXX and lower) (not shown) .....		1
	GHB1340A-05306B-2	..... Main Face Plate (Serial#1602XXXX and higher) (not shown) .....		1

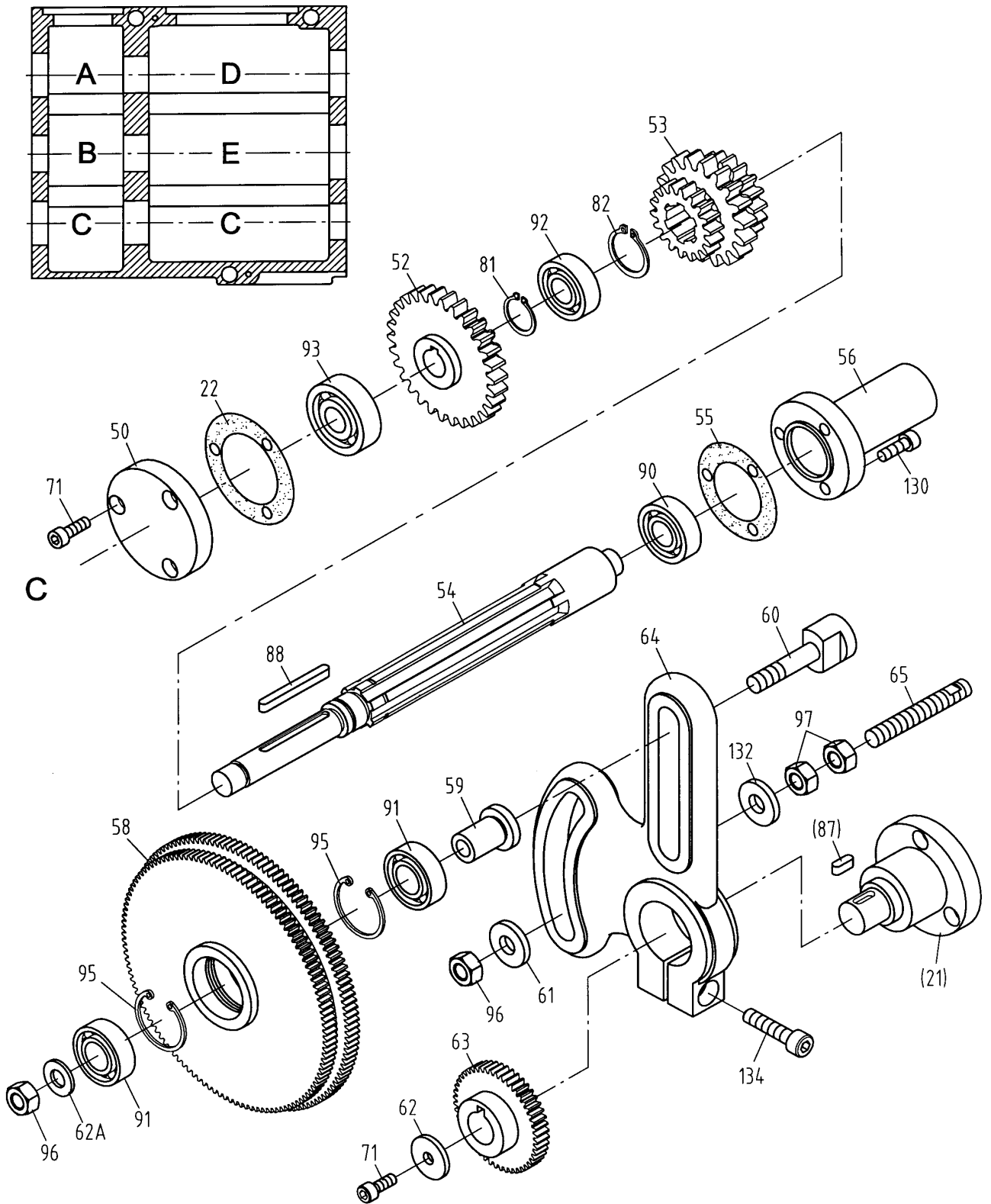
# GHB-1330 / 1340A Gear Assembly II



## GHB-1330 / 1340A Gear Assembly II

Index No.	Part No.	Description	Size	Qty.
21	32A5113	Cover		1
22	32A5503	Gasket		2
23	32A5712	Shaft		1
24	GHB1340A5710A	Gear	2.5m30T,2m24T	1
25	32A5719	Spacer		2
27	05718	Gear	2.25m,3.25m,2.5m24T	1
29	05502	Gasket		1
30	05104	Bushing		1
31	05714E	Collar		1
32	05716	Shaft		1
33	32A5114	End cover		1
34	32A5504	Gasket		1
35	32A5716	Shaft		1
36	32A5714A	Gear	2.5m30T	1
37	32A5715A	Gear	2.5m20T	1
38	GHB1340A5713A	Gear	2m48T	1
39	32A5708	Spacer		2
41	05719	Spacer		2
42	05702	Gear	2.25m40T	1
43	05703	Gear	3.25m24T	1
44	05704	Gear	3.25m22T	1
45	05705	Gear	3.25m21T	1
46	05706	Gear	2.5m36T	1
47	05501	Gasket		1
48	05103	Flange		1
49	05717	Shaft		1
71	TS-1504031	Socket Head Cap Screw	M6x16	5
81	GHB1340A-G81	C-clip	20	1
82	GHB1340A-G82	C-clip	25	1
87	GHB1340A-G87	Flat Key	5x14	1
88	GHB1340A-G88	Flat Key	5x50	1
89	GHB1340A-G89	Flat Key	8x110	1
90	BB-6202	Bearing	6202	5
92	BB-6004	Bearing	6004	1
94	BB-51105	Thrust Bearing	51105	2
98	GHB1340A-G98	Flat Key	5x55	1
118	GHB1340A-G118	Round Nut	M24x1.5	2
119	GHB1340A-05713	Connecting Sleeve		1
120	GHB1340A-G120	Pin	5x35	4
121	05707	Spacer		1
122	05708	Gear		1
123	05709	Inner Gear	2m30T	1
124	05711	Washer	2m30T	1
125	05302	Oil Light bushing		1
126	05710	XIB Shaft		1
127	GHB1340A-G127	Pin	5n6x14	2
128	GHB1340A-G128	Screw	M5x10	2
129	05301	Sliding Bearing		1
130	TS-1503031	Socket Head Cap Screw	M6x12	6
131	GHB1340A-05712	Connecting Sleeve		1
133	05303	Bearing Housing		1

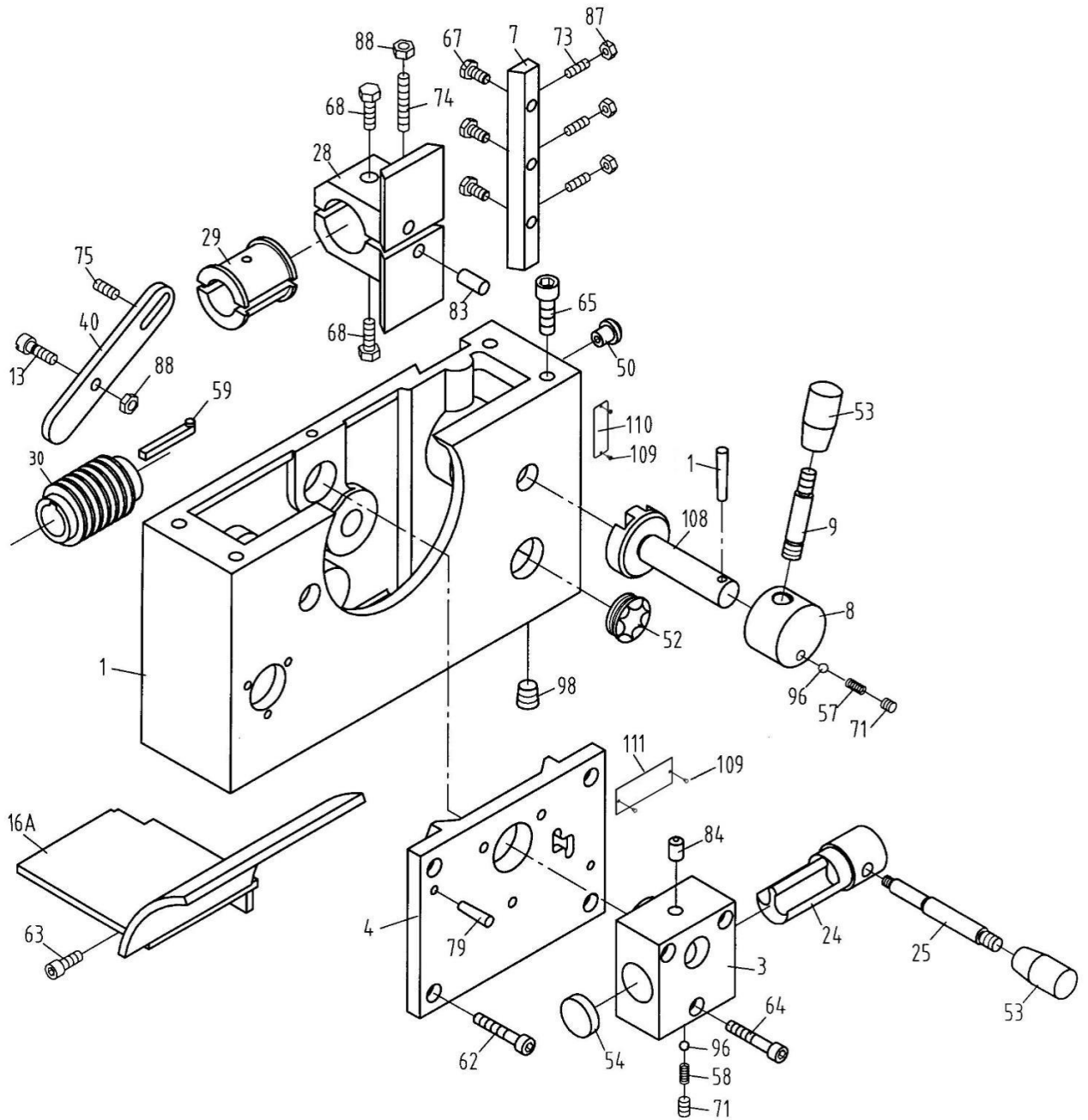
GHB-1330 / 1340A Gear Assembly III



### GHB-1330 / 1340A Gear Assembly III

Index No.	Part No.	Description	Size	Qty.
21	32A5113	Cover		1
22	32A5503	Gasket		1
50	32A5115	End cover		1
52	GHB1340A5718A	Gear	2.5m40T,2m18T	1
53	32A5721A	Gear	2.25m,3.25m,2.5m18T	1
54	05701	Key shaft		1
55	05505	Gasket		1
56	05102	Cover		1
58	40A5736	Gear	1.25m120T,127T	1
59	40A5738	Collar		2
60	40A5739	Screw		1
61	321719	Washer		1
62	40A5740	Washer		1
62A	40A5740	Washer		1
63	32A5726A	Gear	1.25m48T	5
64	32A5119	Gear Frame		1
65	321718	Screw rod		1
71	TS-1504031	Socket Head Cap Screw	M6x16	4
81	GHB1340A-G81	C-clip	20	1
82	GHB1340A-G82	C-clip	25	1
87	GHB1340A-G87	Flat Key	5x14	1
88	GHB1340A-G88	Flat Key	5x50	1
90	BB-6202	Bearing	6202	1
91	BB-6003Z	Bearing	6003Z	2
92	BB-6004	Bearing	6004	1
93	BB-6302	Thrust Bearing	6302	1
95	GHB1340A-G95	C-clip	35	2
96	GHB1340A-G96	Hex Nut	M10	1
97	TS-1540081	Hex Nut	M12	3
130	TS-1503031	Socket Head Cap Screw	M6x12	3
132	321719	Washer		1
134	TS-1504061	Hex Socket Cap Screw	M8x30	1

# GHB-1330 / 1340A Apron Assembly I

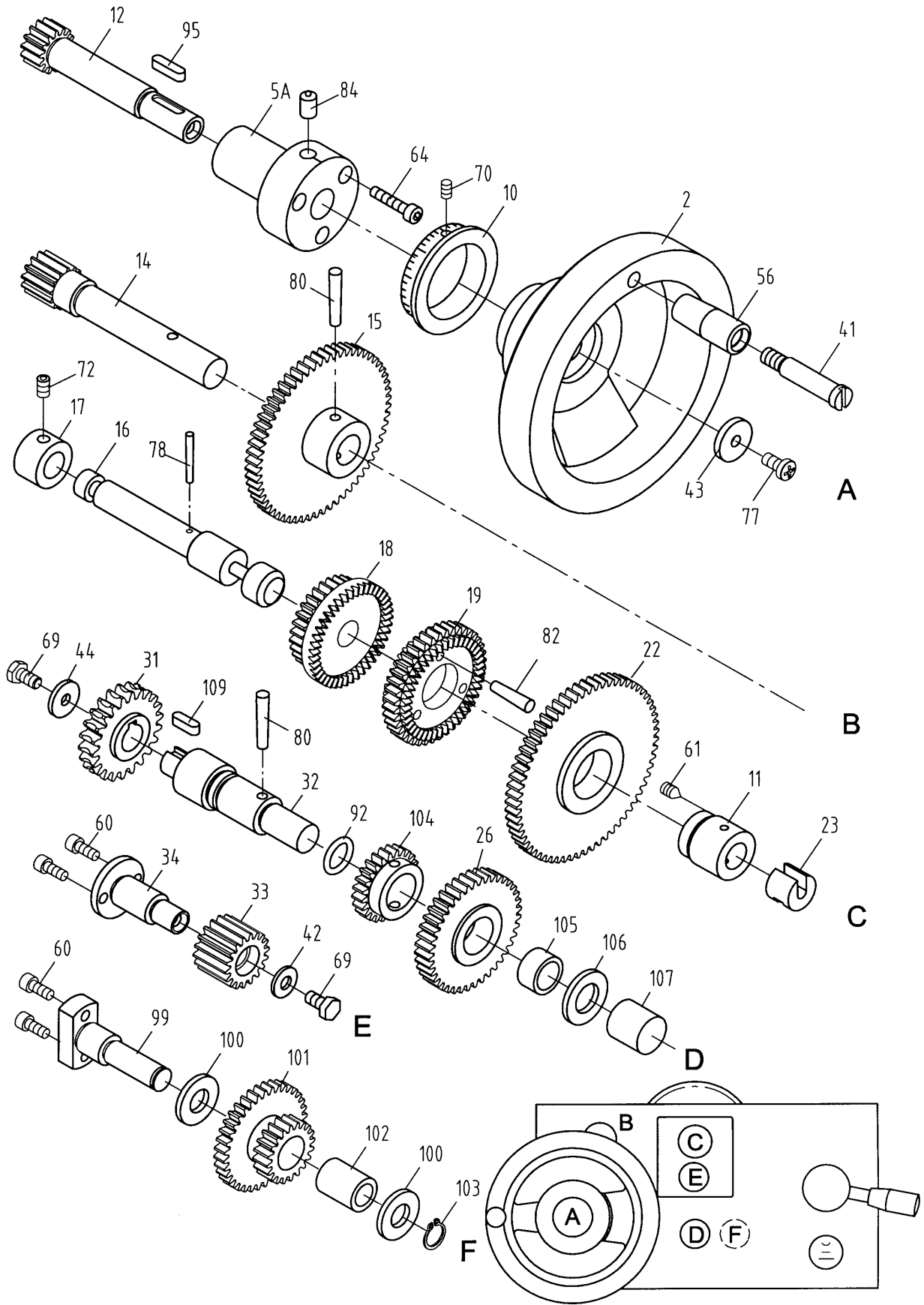




**GHB-1330 / 1340A Apron Assembly I**

<b>Index No.</b>	<b>Part No.</b>	<b>Description</b>	<b>Size</b>	<b>Qty.</b>
1	GHB1340A-06101A-G	Casting		1
3	06103-G	Housing		1
4	06104-G	Cover		1
7	06107	Gib		1
8	06208	Handle Hub		1
9	06209	Handle		1
13	06213	Gear Pin		1
16A	06415-G	Bracket		1
24	06222	Shift Lever		1
25	06223	Shift Handle		1
28	06126	Bracket		1
29	06427E	Half Nut		1
30	06228A	Worm	2m1T	1
40	06238	Bar		2
50	06548	Oil Sight Collar		1
52	06551	Oil Sight Glass (GHB1330 serial #10090751 and lower)		1
	06551	Oil Sight Glass (GHB1340A serial #10090763 and lower)		1
	06551M	Oil Sight Glass (GHB1330 serial #10100752 and higher)		1
	06551M	Oil Sight Glass (GHB1340A serial #10100764 and higher)		1
53	06553	Knob	M8X40	2
54	Z06554	Plug "A"		1
57	06257	Spring		1
58	06258	Spring		1
59	06260	Key		1
62	TS-1503031	Hex Socket Cap Screw	M6x12	4
63	TS-1503041	Hex Socket Cap Screw	M6x16	1
64	TS-1503061	Hex Socket Cap Screw	M6x25	2
65	TS-1504061	Hex Socket Cap Screw	M8x30	4
67	GHB1340-A67	Screw	M5x16	3
68	TS-1523041	Set Screw	M6x12	2
71	TS-1523011	Set Screw	M6x6	3
73	TS-1522051	Set Screw	M5x16	3
74	GHB1340-A77	Set Screw	M6x35	1
75	TS-1523031	Set Screw	M6x10	1
79	GHB1340-A79	Pin	5x20	2
81	GHB1340-A81	Pin	5x32	1
83	GHB1340-A83	Pin	8n6x12	2
84	GHB1340-A84	Oiler	8	2
87	TS-1540031	Hex Nut	M5	3
88	TS-1540041	Hex Nut	M6	2
96	SB-5MM	Steel Ball	5	2
98	GHB1340-A98	Plug	Z1/4"	1
108	06261	Half Nut controlling Shaft		1
109	GB827-2X3	Rivet	2x3	4
110	C063206306	Label (Serial#1601XXXX and lower)		1
	C063206306-1	Label (Serial#1602XXXX and higher)		1
111	C063206307	Label (Serial#1601XXXX and lower)		1
	C063206307-1	Label (Serial#1601XXXX and higher)		1

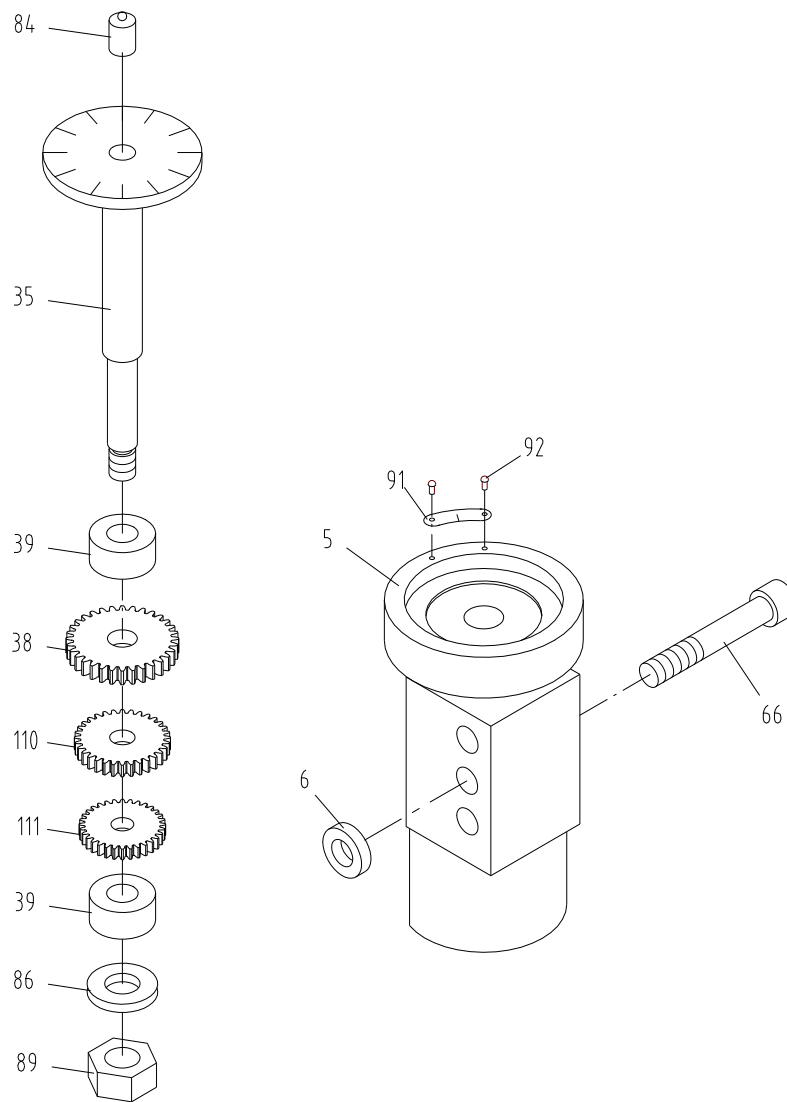
# GHB-1330 / 1340A Apron Assembly II



## GHB-1330 / 1340A Apron Assembly II

Index No.	Part No.	Description	Size	Qty.
2	06102-G	Handle wheel		2
5A	06105A	Hub		1
10	06510E	Index Ring		1
11	Z06111	Cover		1
12	06212	Shaft	1.5m14T	1
14	06214	Gear Shaft	1.5m13T	1
15	06215	Gear	1.5m60T	1
16	06216	Shaft		1
17	06417	Collar		1
18	06218	Gear	1.5m30T	1
19	06219	Gear	1.5m40T	1
22	06220	Gear	1.5m46T	1
23	06421	Shift Fork		1
26	GHB1340A-06704	Gear	1.5m40T	1
31	06429A	Gear	2m22T	1
32	GHB1340A-06714	Shaft		1
33	06231	Gear	1.5m18T	1
34	06232	Shaft		1
41	06239-G	Screw		1
42	TS-1550041	Washer		1
43	Z06241	Washer		1
44	06242	Washer		1
56	06556-G	Handle		1
60	TS-1502031	Hex Socket Cap Screw	M5x12	2
61	TS-1523011	Set Screw	M6x6	1
64	TS-1503061	Hex Socket Cap Screw	M6x25	3
69	TS-1503021	Screw	M6x10	2
70	TS-1522011	Set Screw	M6x6	2
72	TS-1523031	Set Screw	M6x10	1
77	GHB1340-A77	Screw	M6x12	1
78	GHB1340-A78	Pin	3x25	1
80	GHB1340-A80	Pin	5x30	2
82	GHB1340-A82	Pin	5x25	3
84	GHB1340-A84	Oiler	8	1
92	GHB1340-A92	O-Ring	20x2.4	1
95	GHB1340-A95	Flat Key	A5x18	1
99	GHB1340A-06732	Shaft		1
100	GHB1340A-06114	Washer		2
101	GHB1340A-06734	Gear	1.5m20T36T	1
102	GHB1340A-06115	Collar		1
103	GHB1340A-A103	Shaft Plug		1
104	GHB1340A-06731	Gear	1.5m24T	1
105	GHB1340A-06113	Collar		1
106	GHB1340A-06111	Spacer		1
107	GHB1340A-06112	Shaft Plug		1
109	GHB1340A-A109	Flat Key	5x12	1

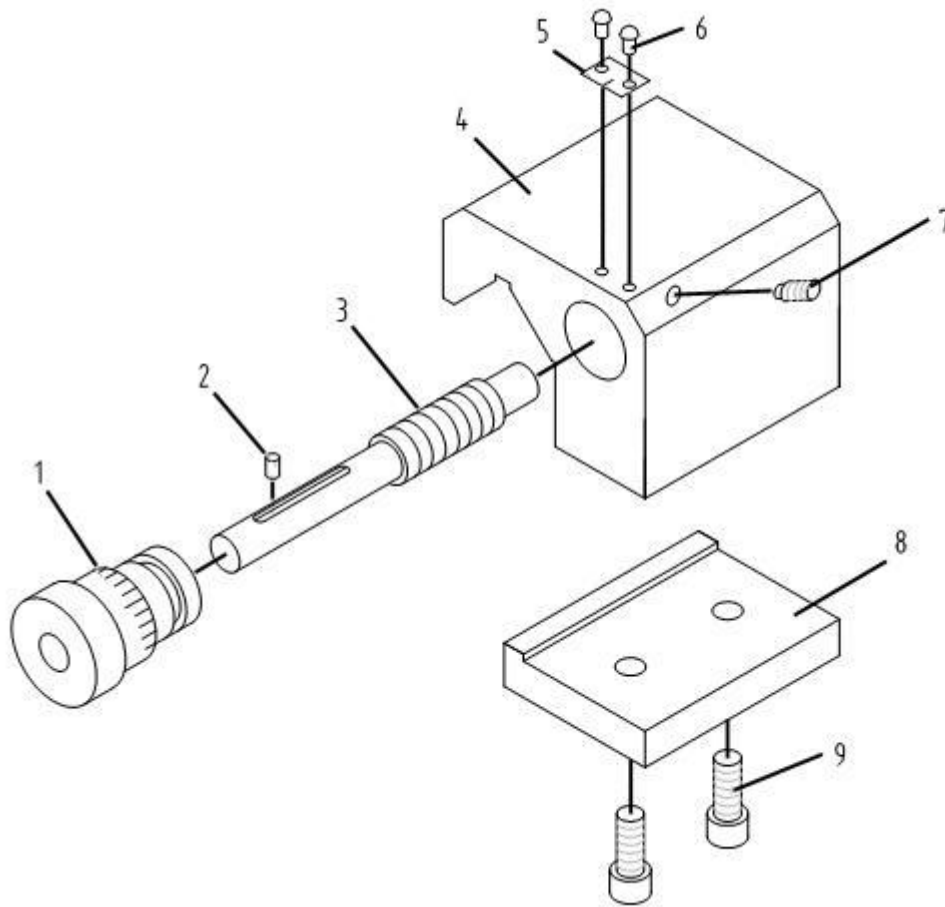
## GHB-1330 / 1340A Apron Assembly III



### Apron Assembly III

Index No.	Part No.	Description	Size	Qty.
5	Z06105-G	Threading Dial Body		1
6	06206	Washer		1
35	06233E	Threading Dial Shaft		1
38	GHB1340A-A38	Gear	1.25m27T	1
39	06237	Spacer		2
66	TS-1504101	Hex Socket Cap Screw	M8x50	1
84	GHB1340-A84	Oiler	8	1
86	GHB1340-A86	Lock Washer	M8	1
89	TS-1540061	Hex Nut	M8	1
91	GHB1340-06310E	Positioning Sign Plate		1
92	GB827-2X3	Rivet	2x3	2
110	GHB1340A-A110	Gear	1.25m20T	1
111	GHB1340A-A111	Gear	1.25m21T	1

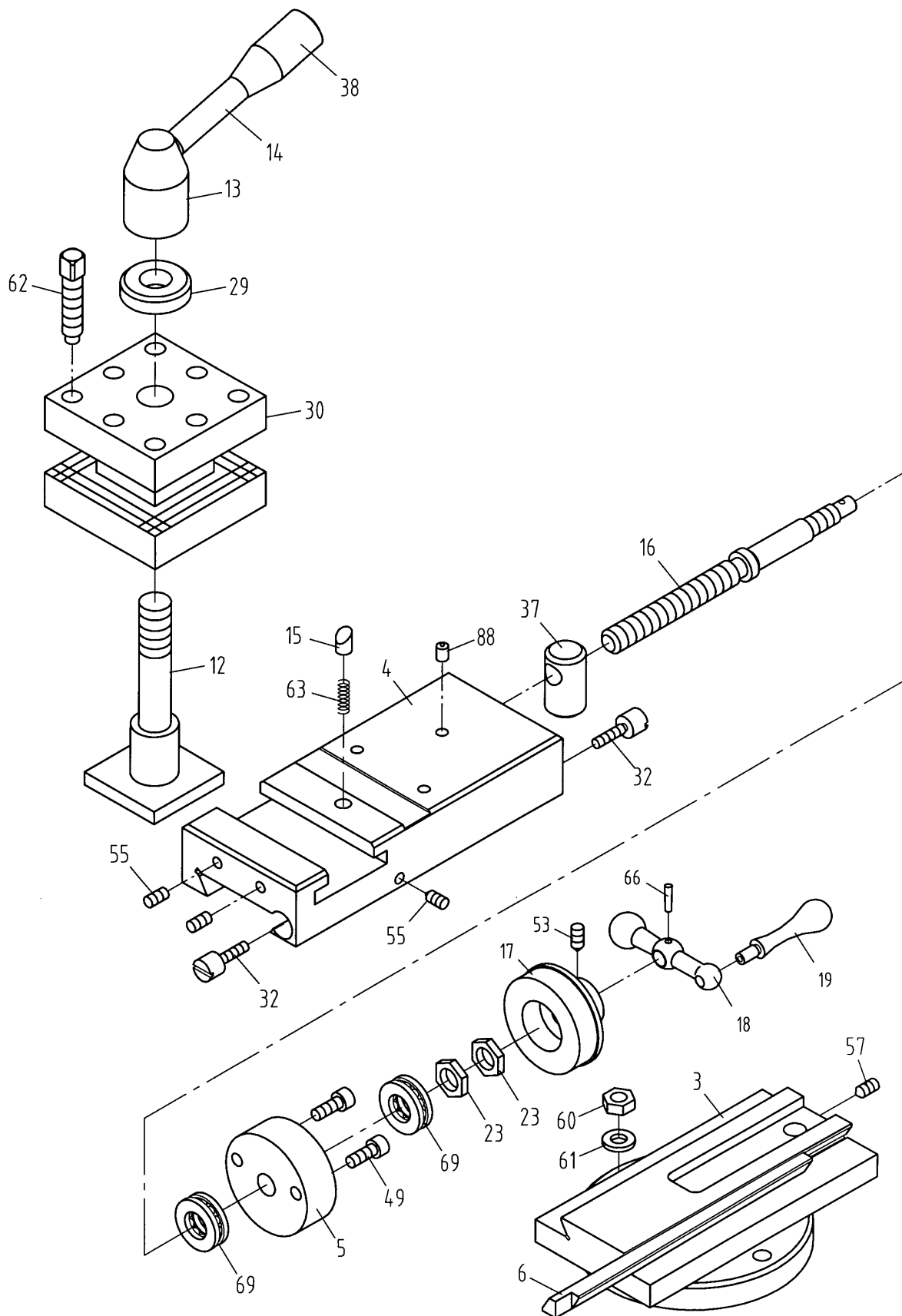
## GHB-1330 / 1340A Micro Carriage Stop Assembly



### Micro Carriage Stop Assembly

Index No.	Part No.	Description	Size	Qty.
1	GH1340A-01707E	Dial		1
2	GHB1340A-MS02	Pin	B3×6	1
3	GHB1340A-01716E	Axle		1
4	GHB1340A-01107E-G	Stop		1
5	ZX-03302	Sign Plate		1
6	GB827-2X3	Rivet	2×3	2
7	TS-1523031	Hex Socket Set Screw	M6×10	1
8	GH1340A-01108	Clamping Plate		1
9	TS-1503051	Hex Socket Cap Screw	M6×20	2

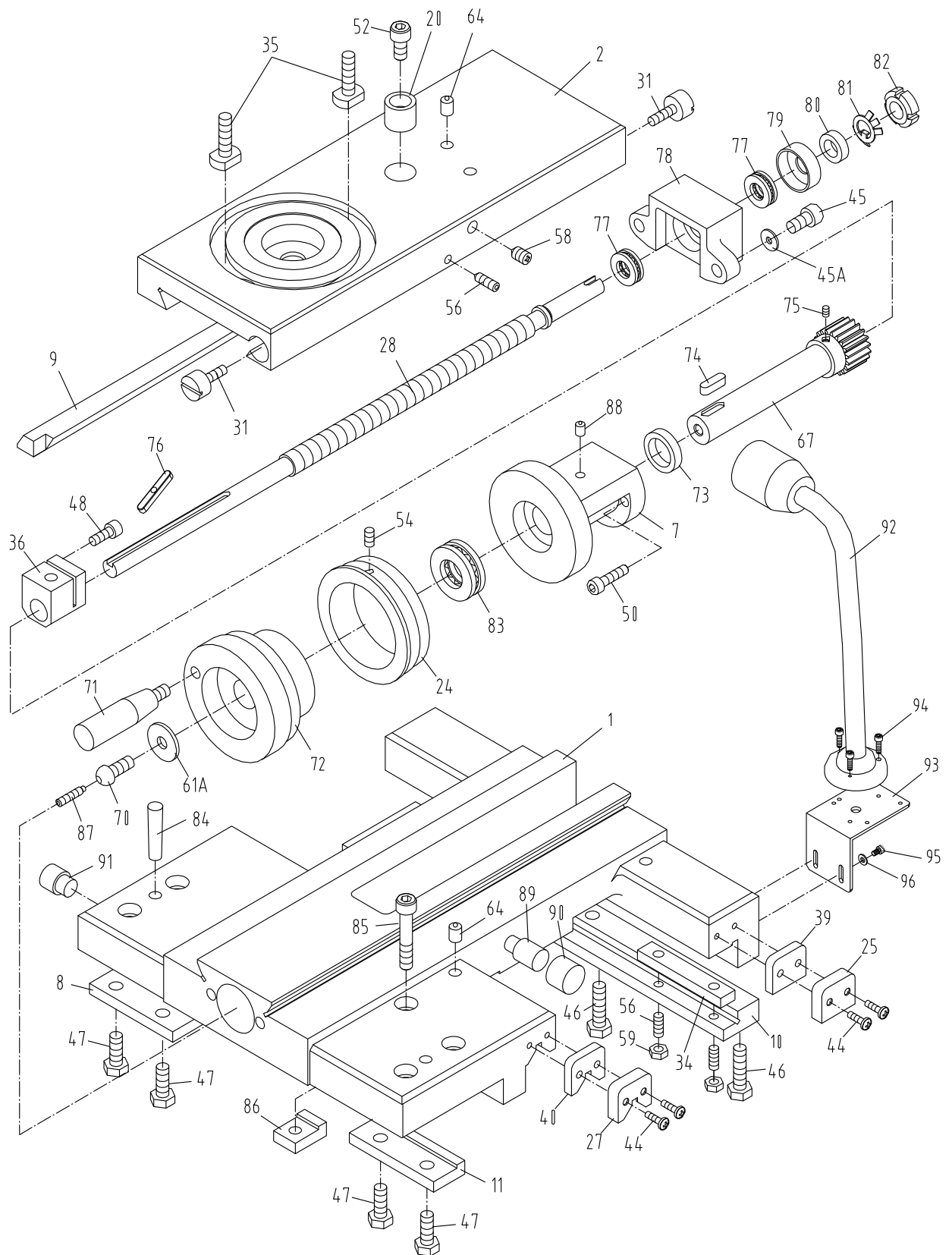
# GHB-1330 / 1340A Top Slide, Tool Post, Saddle, and Cross Slide I



## Top Slide, Tool Post, Saddle, and Cross Slide I

Index Part		Description	Size	Qty.
No.	No.			
3	07103	Swivel Slide		1
4	07104	Top Slide		1
5	07111	Collar		1
6	07117	Gib		1
12	07205	Screw		1
13	07206	Handle Base		1
14	07207	Handle Shaft		1
15	07209	Stop		1
16	07210E	Screw		1
17	07212E	Index Ring		1
18	07213-G	Lever		1
19	07214-G	Lever		2
23	07221	Nut		4
29	07233	Flat Washer		1
30	07234	Post Base		1
32	07237	Gib Adjusting Screw		2
37	07430E	Nut		1
38	07508	Knob		1
49	TS-1503051	Hex Socket Cap Screw	M6x20	2
53	TS-1523011	Set Screw	M6x6	1
55	TS-1523031	Set Screw	M6x10	3
57	TS-1524011	Set Screw	M8x8	1
60	TS-1540061	Hex Nut	M8	2
61	TS-1550061	Washer	M8	1
62	GHB1340-62T	Screw	M10x40	8
63	GHB1340-63T	Spring	0.6x4x18	1
66	GHB1340-66T	Pin	3x16	1
69	GHB1340-69T	Ball Bearing		2
88	GHB1340-88	Oil Ball	6	1
	GHB1340-TSA	Top Slide Assembly w/o Tool Post		1

**GHB-1330 / 1340A Top Slide, Tool Post, Saddle, and Cross Slide II**



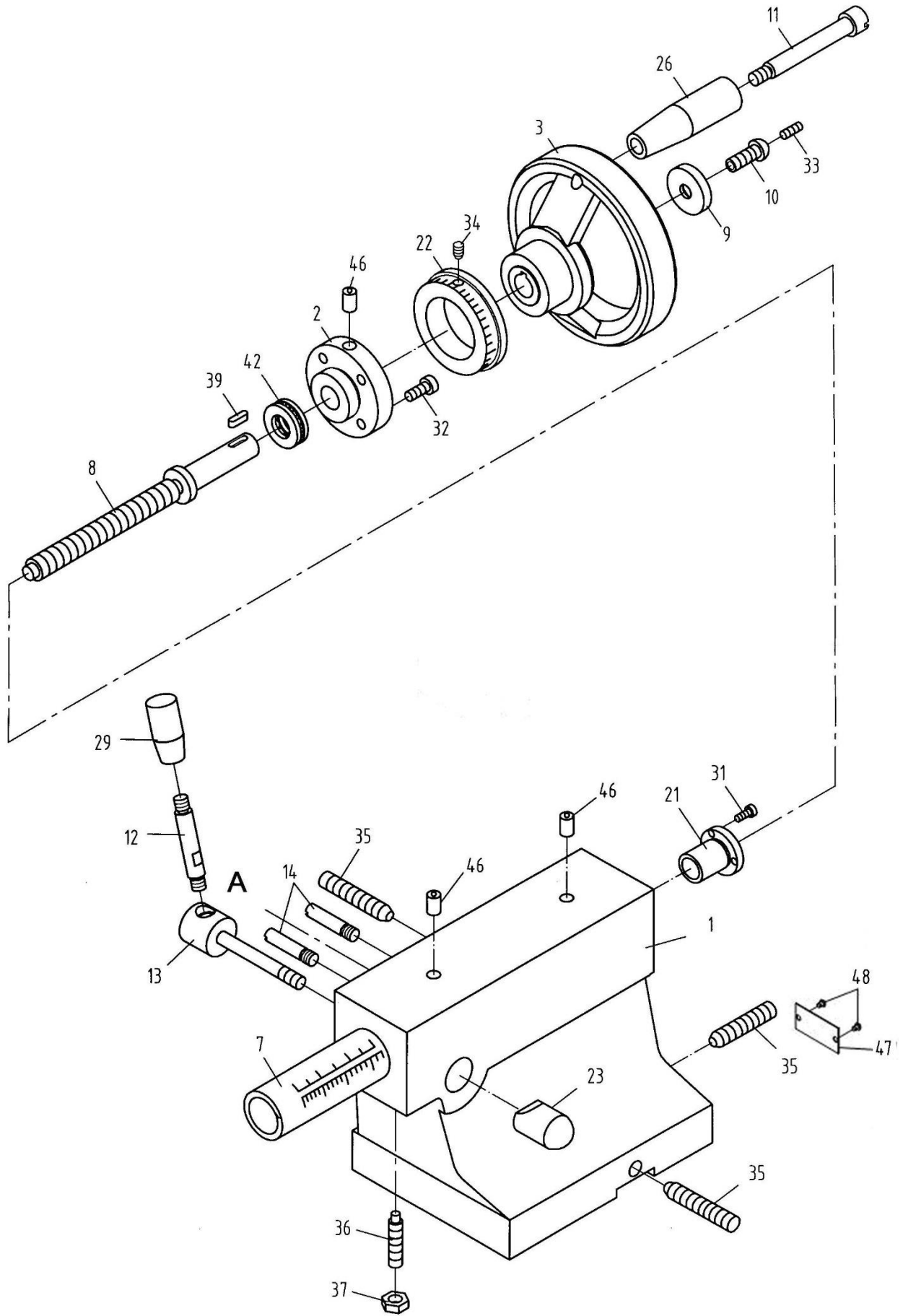


**GHB-1330 / 1340A Top Slide, Tool Post, Saddle, and Cross Slide II**

<b>Index</b>	<b>Part No.</b>	<b>Description</b>	<b>Size</b>	<b>Qty.</b>
1	GHB1340A-04101A-G	Saddle		1
2	07102	Cross Slide		1
7	07120N	Bearing Housing		1
8	07123	Strip		1
9	07131	Gib		1
10	07132	Strip		1
11	C0632-04111A	Front Strip		1
20	07216	Collar		1
24	07222NE	Index Ring		1
25	07224	Plate		2
27	07227	Plate		2
28	07229NE	Screw		1
31	07236	Gib Adjusting Screw		2
34	07239	Gib Strip		2
35	07240	T-Bolt		2
36	07415NE	Block		1
39	07526	Wiper		2
40	07528	Wiper		2
44	GHB1340-44T	Screw	M4x12	8
45	TS-1504051	Hex Socket Cap Screw	M8x25	2
45A	TS-1504061	Lock Washer	M8	2
46	GHB1340-46T	Screw	M8x20	3
47	GHB1340-47T	Screw	M8x20	4
48	TS-1503041	Hex Socket Cap Screw	M6x16	1
50	TS-1503061	Hex Socket Cap Screw	M6x25	2
52	TS-1504031	Hex Socket Cap Screw	M8x16	1
54	TS-1523021	Set Screw	M6x8	1
56	TS-1523071	Set Screw	M6x25	5
58	TS-1524021	Set Screw	M8x10	1
59	TS-1540041	Hex Nut	M6	4
61A	GHB1340-65T	Flat Washer		1
64	GHB1340-64T	Oil Ball	8	5
67	07530	Gear Shaft		1
70	07545	Screw	M8x20	1
71	07531-G	Handle		1
72	07532-G	Compound Handle		1
73	07533	Spacer		1
74	07534	Flat Key		1
75	07535	Set Screw	M3x8	1
76	07536	Flat Key	5x5x30	1
77	BB-8101	Thrust Bearing	8101	2
78	07538	Bearing Housing		1
79	07539	Bearing Dust Cover		1
80	07540	Spacer		1
81	07541	Star Washer		1
82	07542	Locking Nut		1
83	BB-8104	Thrust Bearing	8104	1
84	GHB1340-84	Taper Pin	8x40	2
85	GHB1340-85	Hex Socket Cap Screw	M8x50	1
86	GHB1340-86	Locking Washer		1
87	GHB1340-87	Screw	M5x20	1
88	GHB1340-88	Oil Ball	6	1
89	GHB1340A-04788	Saddle		1
90	GHB1340A-04507E	Stop Pin Cap		1
91	GHB1340A-04789E	Stop Pin		1

<b>Index</b>	<b>Part</b>		
<b>No.</b>	<b>No.</b>	<b>Description</b>	<b>Size</b>
<b>Qty.</b>			
92	GHB1340-EL	Machine Lamp (Serial#1602XXXX and higher)	JC34A
	GHB1340-LED	LED Buld (Serial#1602XXXX and higher)	
93	GHB-1340A-18710B	Light Base (Serial#1602XXXX and higher)	
94	TS-1503051	Hex Socket Cap Screw	M6x20
95	TS-1503021	Hex Socket Cap Screw	M6x10
96	TS-1550041	Flat Washer (Serial#1602XXXX and higher)	6

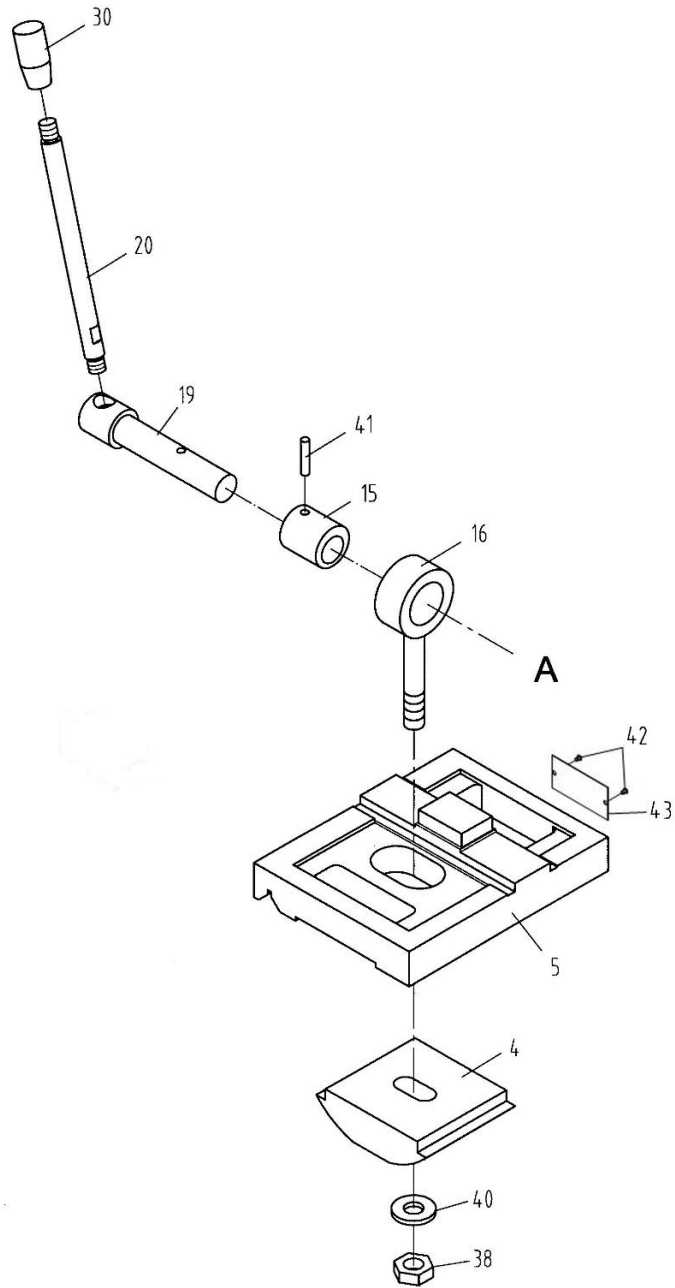
# GHB-1330 / 1340A Tailstock Assembly I



**GHB-1330 / 1340A Tailstock Assembly I**

<b>Index No.</b>	<b>Part No.</b>	<b>Description</b>	<b>Size</b>	<b>Qty.</b>
1	Z08101-G	Casting		1
2	Z08102	Flange Cover		1
3	08103-G	Hand Wheel		1
7	08202	Quill		1
8	Z08203E	Screw		1
9	GHB1340-09TS	Washer		1
10	Z08205	Screw	M8x20	1
11	08206-G	Screw		1
12	Z08207	Lever		1
13	08208	Shaft		1
14	08209	Screw		2
21	08401E	Nut		1
22	08402E	Index Ring		1
23	08403	Pivot Block		1
26	08501-G	Handle		1
29	GHB1340-29TS	Handle	M8x40	1
31	TS-1501031	Hex Socket Cap Screw	M4x10	3
32	TS-1503041	Hex Socket Cap Screw	M6x16	4
33	TS-1522061	Set Screw	M5x20	1
34	TS-1523031	Set Screw	M6x8	1
35	GHB1340-35TS	Set Screw	M10x45	3
36	GHB1340-36TS	Screw	M8x35	1
37	TS-1540061	Hex Nut	M8	1
39	GHB1340-39TS	Flat Key	4x15	1
42	BB-51102	Bearing	8102	1
46	GHB1340-43TS	Oil Ball	8	3
47	08404	Arrow Plate		1
48	GB827-2X3	Rivet	2x3	2

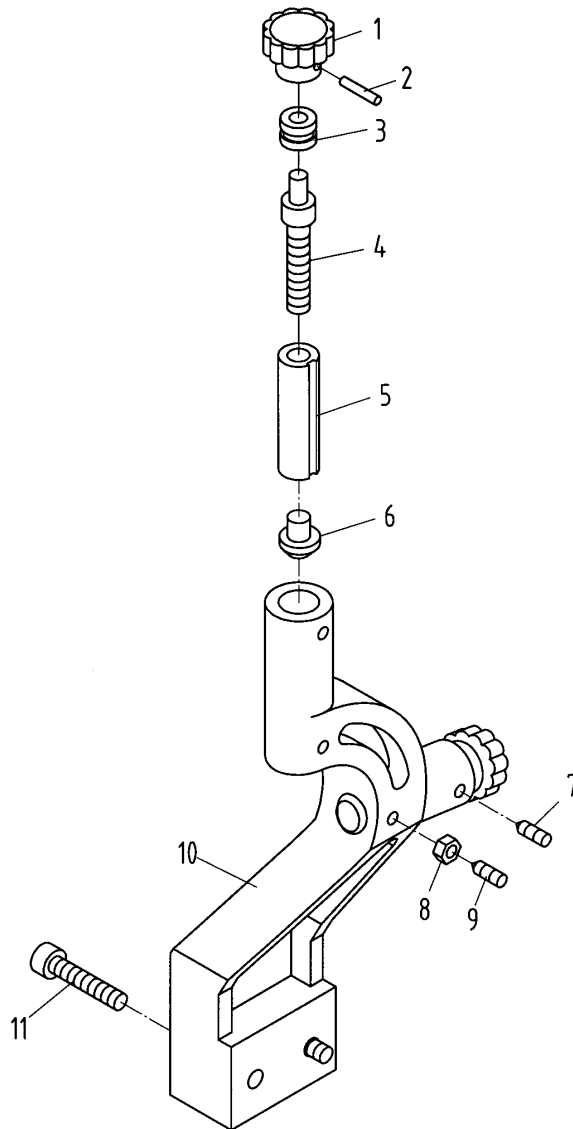
## GHB-1330 / 1340A Tailstock Assembly II



### Tailstock Assembly II

Index No.	Part No.	Description	Size	Qty.
4	08104	Clamp Plate		1
5	08105-G	Base		1
15	08211	Collar		1
16	08212	Screw		1
19	08213	Shaft		1
20	08214	Lever		1
30	GHB1340-147	Handle	M10×50	1
38	TS-1540081	Hex Nut	M12	1
40	TS-2360121	Flat Washer	12	1
41	GHB1340-41TS	Pin	5×25	1
42	GB827-2X3	Rivet	2×3	1
43	08405	Scale Plate		1

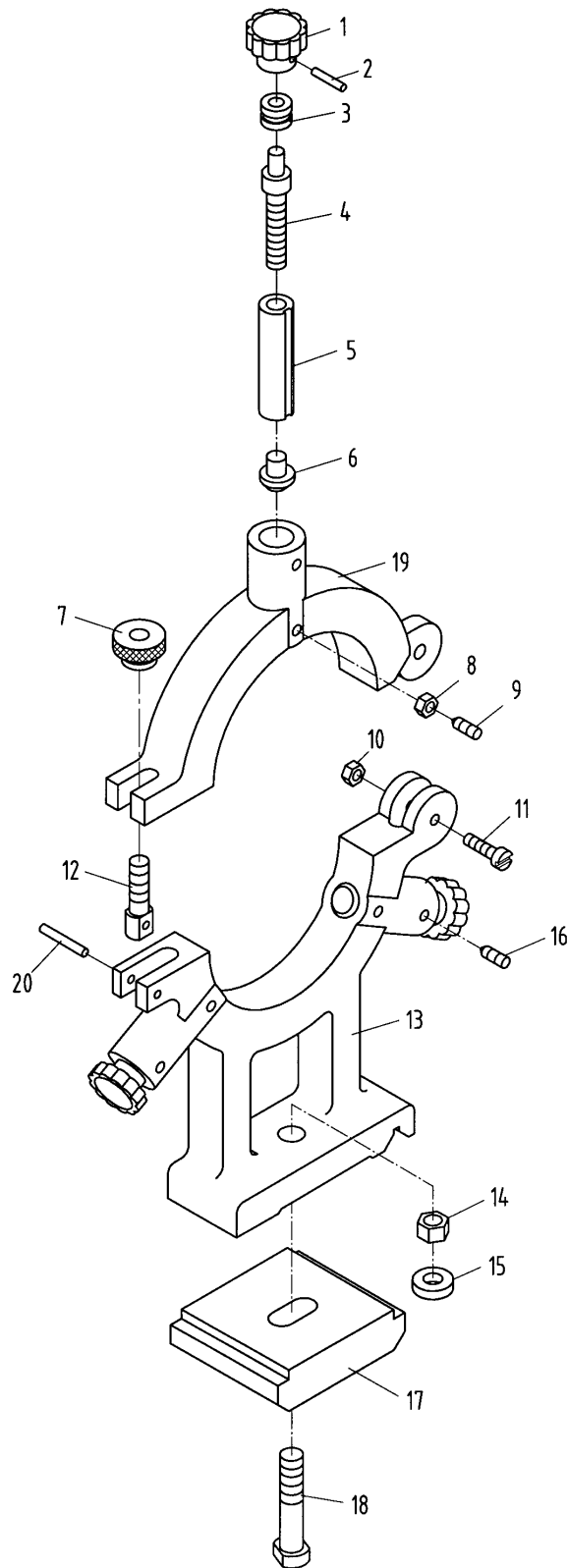
## GHB-1330 / 1340A Follow Rest



### Follow Rest

Index No.	Part No.	Description	Size	Qty.
1	GHB1340-1FR	Knob		2
2	GHB1340-2FR	Pin	3x18	2
3	10208	Bushing		2
4	10204	Screw		2
5	10201	Sleeve		2
6	10401	Brass Finger		2
7	TS-1523011	Set Screw	M6x8	2
8	TS-1540041	Nut	M6	2
9	TS-1523061	Set Screw	M6x16	2
10	10104-G	Base Casting		1
11	TS-1504071	Hex Socket Cap Screw	M8x35	2
	GHB1340-FR-G	Follow Rest Complete		1

# GHB-1330 / 1340A Steady Rest



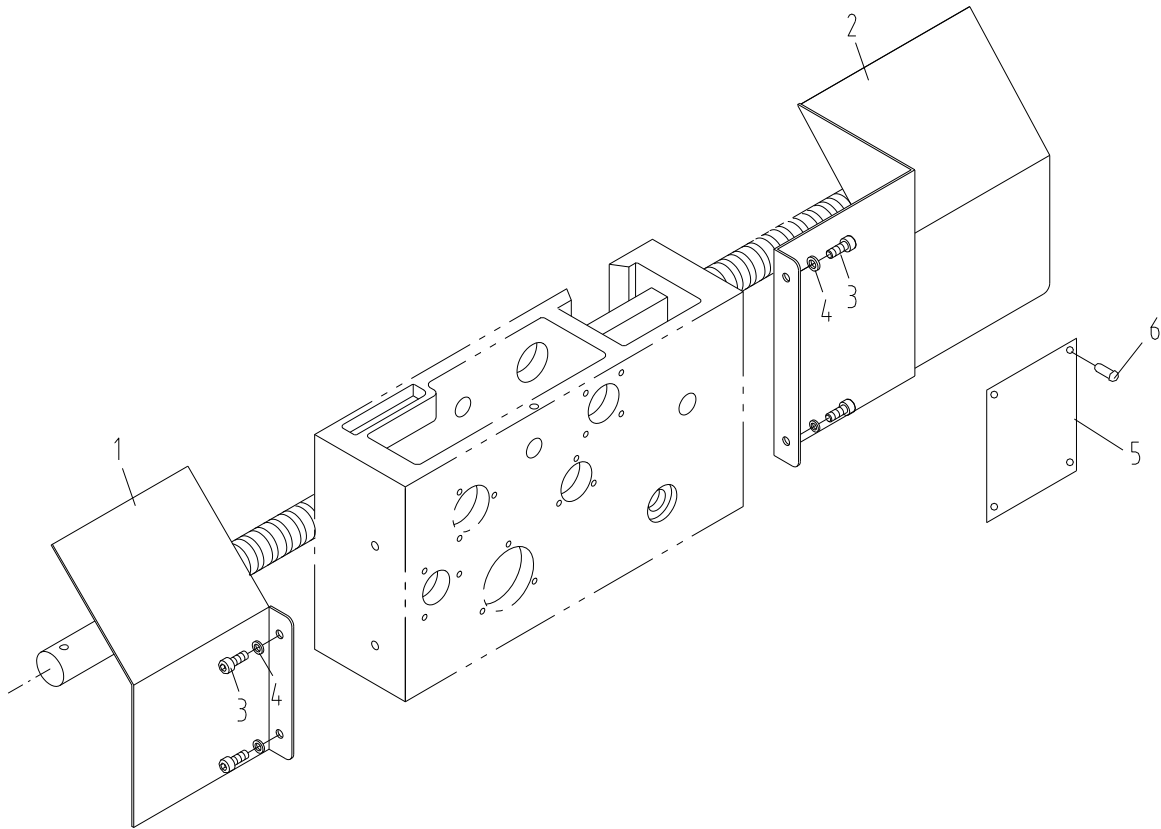
## GHB-1330 / 1340A Steady Rest

Index Part		Description	Size	Qty.
No.	No.			
1	GHB1340-1FR	Knob		3
2	GHB1340-2FR	Pin	3x18	3
3	10203	Bushing		3
4	10204	Screw		3
5	10201	Sleeve		3
6	10401	Brass Finger		3
7	10205	Lock Knob		1
8	TS-1540041	Nut	M6	3
9	TS-1523051	Set Screw	M6x16	3
10	TS-1540041	Nut	M6	1
11	GHB1340-11SR	Bolt	M6x30	1
12	10206	Pivot Bolt		1
13	10102-G	Base Casting		1
14	TS-1540081	Nut	M12	1
15	TS-1550081	Flat Washer	M12	1
16	TS-1523021	Set Screw	M6x8	3
17	10103	Clamp Pad		1
18	TH1340-18SR	Clamp Screw		1
19	10101-G	Top Casting		1
20	GHB1340-20SR	Pin	5x25	1
	GHB1340-SR-G	Steady Rest Complete		1



Note: You can have a choice as per situation.

### GHB-1330 / 1340A Protecting guards for three rods

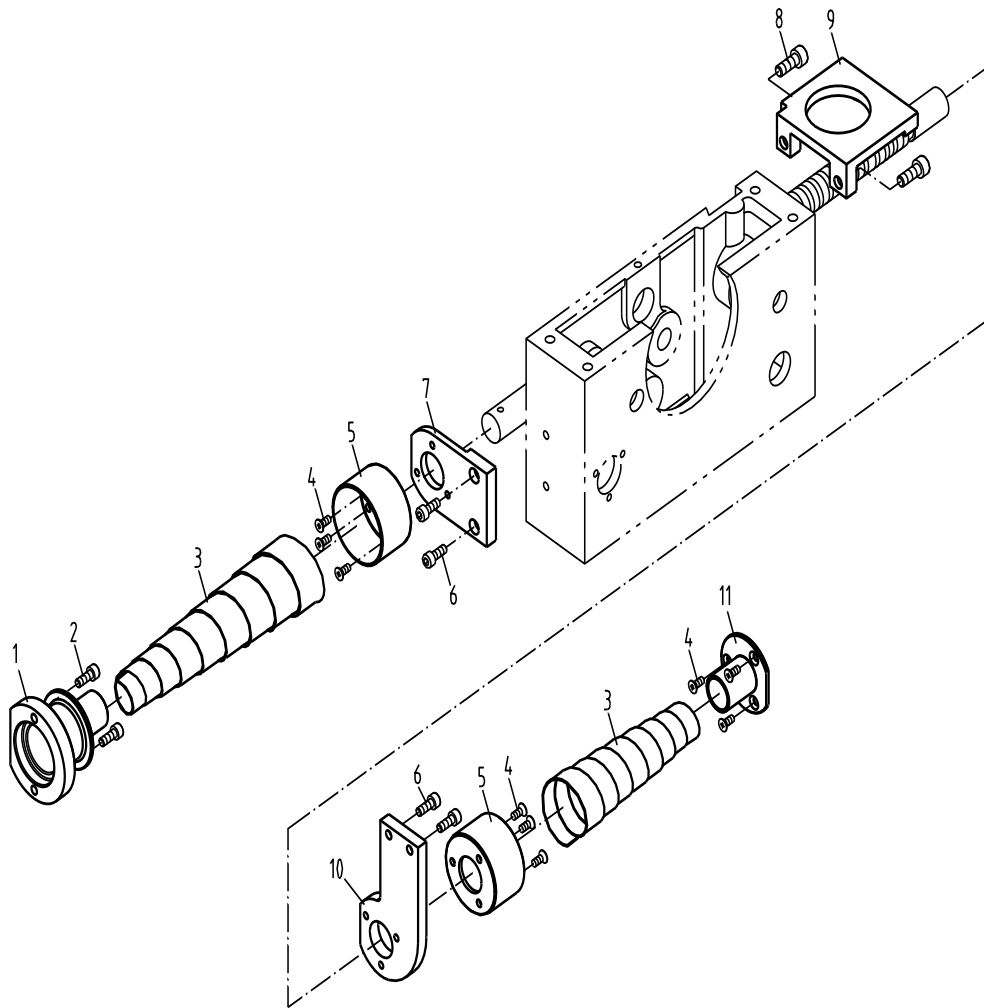


### Protecting guards for three rods

Index..Part No.	Part No.	Description	Size	Qty.
1	GHB1340A-20701E-G	Splash Guard		1
2	GHB1340A-20702E-G	Splash Guard		1
3	GHB1340A-P03E	Hex Socket Cap Screw	M6x8	4
4	GHB1340A-P04E	Flat Washer	6	4
5	GHB-1340A-06305	Label (Serial#1601XXXX and lower)		1
	GHB-1340A-06305-3	Label (Serial#1602XXXX and higher)		1
6	GHB1340A-155	Screw (Serial#1601XXXX and lower)	M3x5	4
	GB2672-M3x6	Screw (Serial#1602XXXX and higher)	M3x6	4

Note: You can have a choice as per situation.

### GHB-1330 / 1340A Total Leadscrew Cover

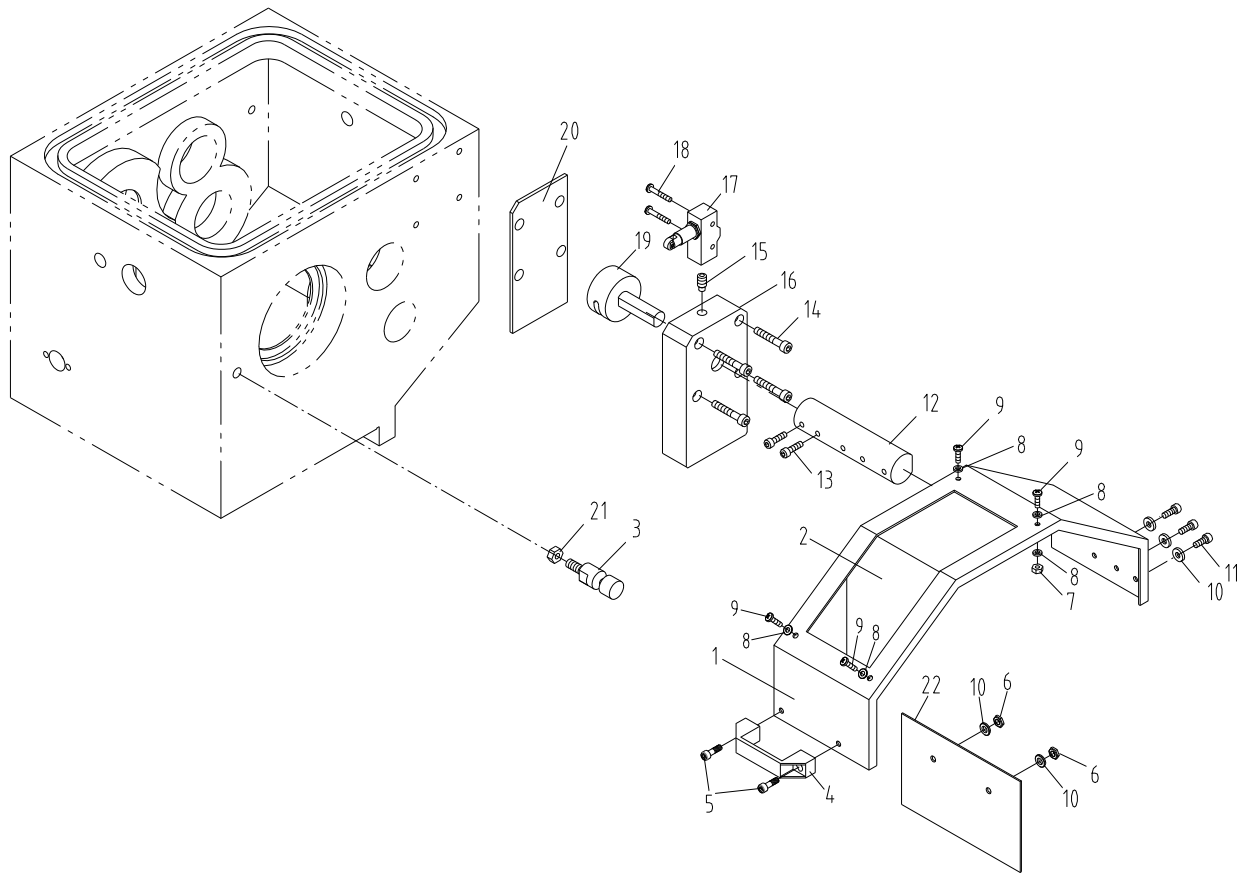


#### Total Leadscrew Cover

Index..Part No.	Part No.	Description	Size	Qty.
1.....	GHB1340A-14701	Left Small End Flange		1
2.....	TS-1503051	Hex Socket Cap Screw	M6x20	2
3.....	LGB28-900-45	Telescoping Steel Sheet Cover (1000 Size)	GHB-1340A	2
	LGB28-650--45	Telescoping Steel Sheet Cover (750 Size)	GHB-1330	2
4.....	TS-1502031	Cross Recessed Head Screw	M5x12	9
5.....	C0632A-14702	Protector Big End Flange		2
6.....	TS-1503031	Hex Socket Cap Screw	M6x12	4
7.....	C0632A-14101	Left Big End Flange Bracket		1
8.....	TS-1504031	Hex Socket Cap Screw	M8x16	2
9.....	C0632A-14102	Connecting Plate		1
10.....	C0632A-14103	Right Big End Flange Bracket		1
11.....	C0632A-14703	Right Small End Flange		1

Note: You can have a choice as per situation.

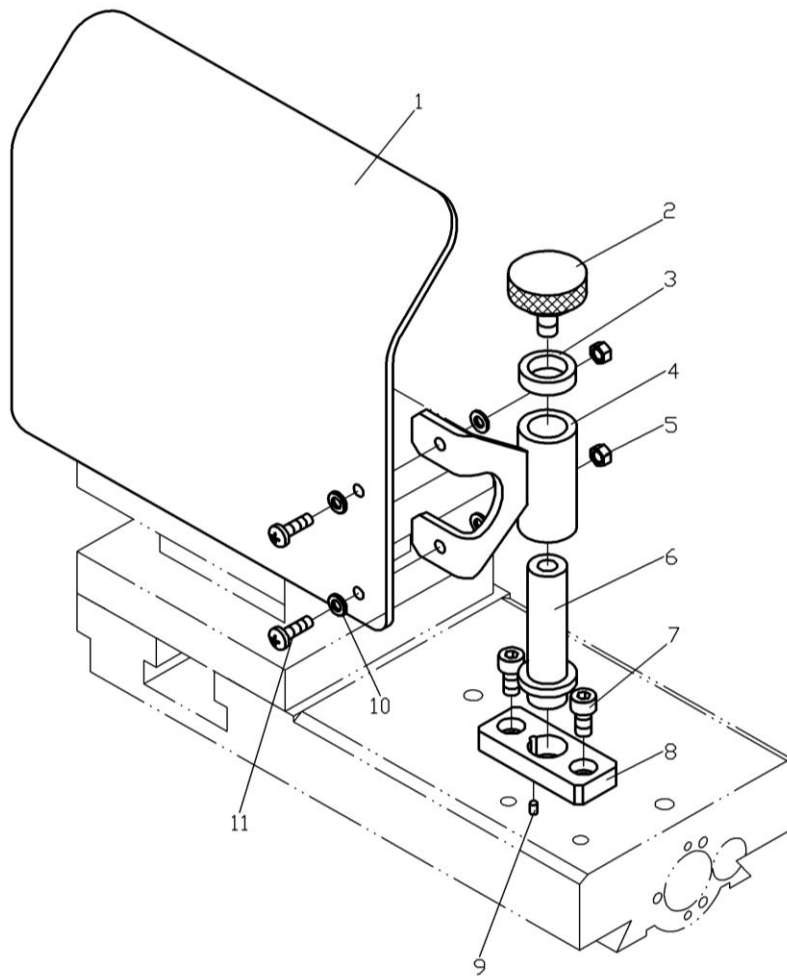
### GHB-1330 / 1340A Chuck Guard



Index No.	Part No.	Description	Size	Qty.
1	GHB1340A-19701E-G	Protecting Guard		1
2	GHB1340A-19501E	Protecting Guard Visual Glass		1
3	ZX-19704E	Fixing Rod		1
4	GHB1340A-SG-04	Handle (GHB-1340A serial#16011119 and lower)	..HY32-1	1
	A=90 Black	Handle (GHB-1340A serial#16021120 and higher)		1
5	TS-1503031	Hex Socket Cap Screw	M6x12	2
6	TS-2311061	Hexagon Nut	M6	2
7	GHB1340A-SG07	Hexagon Thin Nut	M4	4
8	TS-1550021	Flat Washer	4	8
9	TS-2244102	Cross Point Pan Head Screw	M4x10	4
10	TS-1550041	Flat Washer	6	5
11	GHB1340A-SG11	Hex Socket Cap Screw	M6x16	3
12	GHB1340A-19703E	Rest Bar		1
13	TS-1524021	Slotted Set Screw	M8x10	2
14	TS-1503071	Hex Socket Cap Screw	M6x30	4
15	TS-1524041	Hex Socket Set Screw	M8x16	1
16	GH1440A-19101E	Switch Box		1
17	GHB1340A-SG17	Stroke Switch	LXW5-11Q1	1
18	GHB1340A-SG18	Slotted Pan Head Screw	M4x25	2
19	GHB1340A-19702E	Shaft		1
20	ZX-19502E	Gasket		1
21	TS-2311081	Nut	M8	1
22	GHB1340A-19705A	Board		1

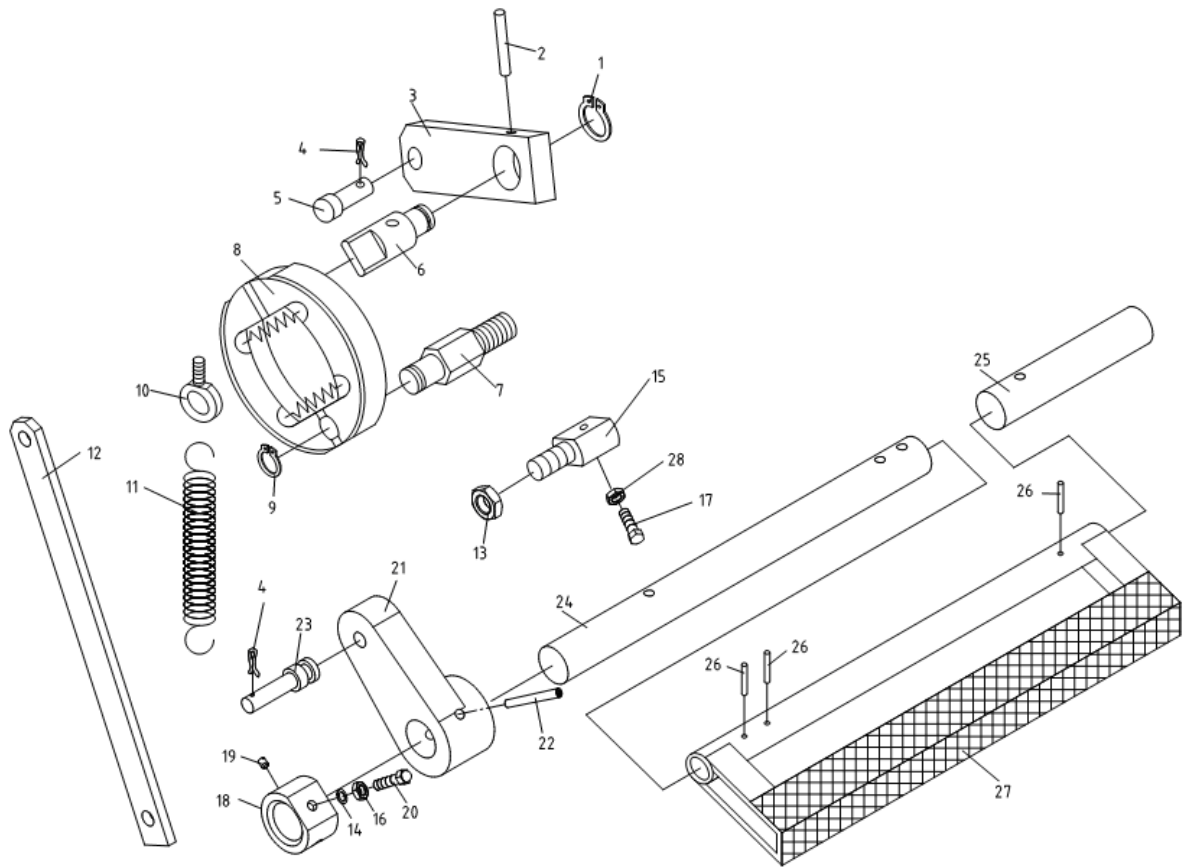
Note: You can have a choice as per situation.

### GHB-1330 / 1340A Tool Post Guard



Index..	Part No.	Description	Size	Qty.
1	C0632A-20501	Shield		1
2	GH1440A-20701	Clamping Screw		1
3	GH1440A-20703	Spacer		1
4	GH1440A-20704	Sleeve		1
5	TS-1540031	Nut	M5	2
6	GH1440A-20705-1	Bracket		1
7	TS-1503031	Hex Socket Cap Screw	M6x12	2
8	GH1440A-20705-2	Bracket		1
9	TS-1521031	Slotted Set Screw	M4x8	1
10	TS-1550031	Flat Washer	5	4
11	TS-2245202	Hexagon socket cap head screws	M5x20	2

### GHB-1330 / GHB-1340A Brake Assembly



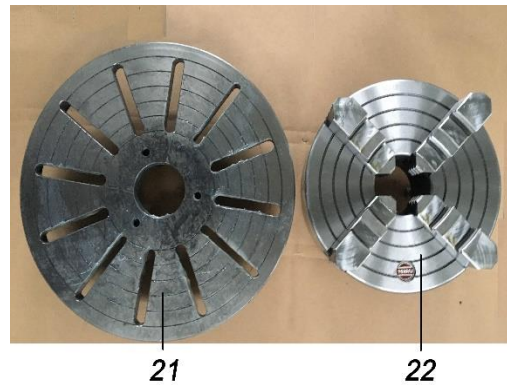
### Brake Assembly

#### Index Part

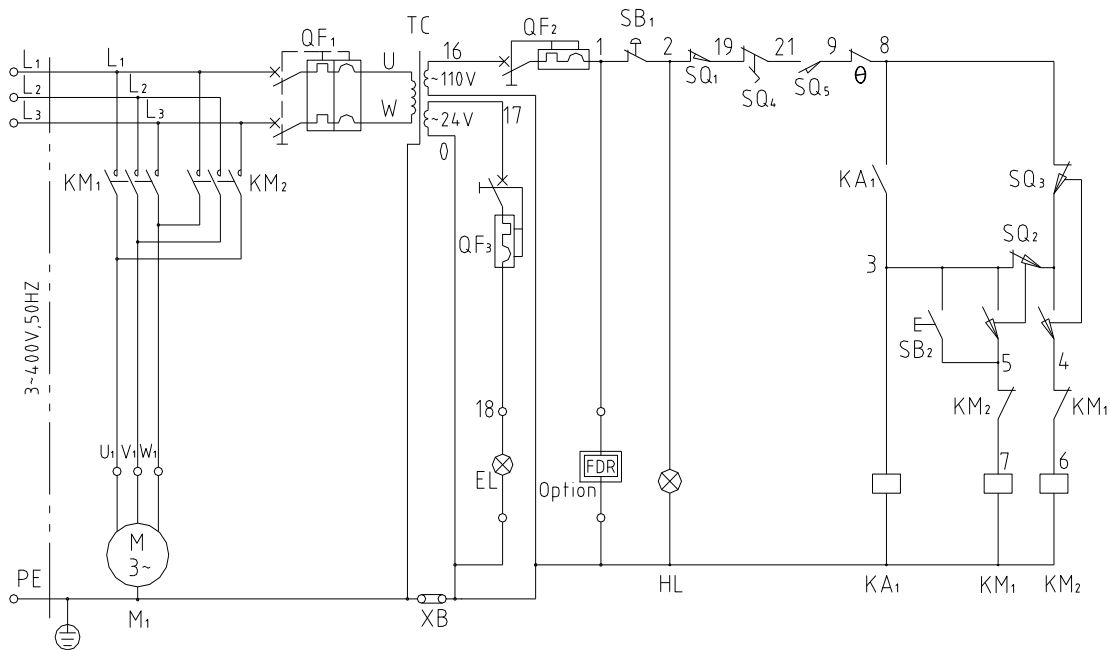
No.	No.	Description	Size	Qty.
1	GB894-12	Retaining Clip	12	1
2	GB879-5X25	Pin	5x25	1
3	GH1340A22708	Connector Plate		1
4	GB91-2X20	Pin	2x20	2
5	GH1340A22709	Connecting Shaft		1
6	C0632A22701	Brake Shaft		1
7	GH1340A22701	Set Shaft		1
8	GH1340A22301	Brake Block		1
9	GB896-8	Retaining Clip	8	1
10	GB825-M8	Ring Bolt	M8	1
11	GH1340A22703	Spring		1
12	GH1340A22710	Connector Bar		1
13	GB6170-M10	Nut	M10	1
14	GB93-6	Washer	6	1
15	C0632A22702	Shaft		1
16	GB6172-M6	Nut	M6	1
17	GB5783-M8X30	Bolt	M8x30	2
18	GH1340A22705	Adjusting Nail Support		1
19	GB78-M8X10	Set Screw	M8x10	1
20	GH1340A22713	Adjusting Nail		1
21	GH1340A22101	Link		1
22	GB879-5X40	Pin	5x40	1
23	C0632A22703	Shaft Pin		1
24	C0632A22704	Shaft		1
25	GH1340A22707	Shaft		1
26	GB879-5X30	Pin	5x30	3
27	GHB1340A22701	Brake Pedal		1
28	GB6170-M8	Nut	M8	1

## GHB-1330 / 1340A Additional Parts

Index No.	Part No.	Description	Size	Qty.
	GHB1340-TBC	Tool Box Complete (includes: 1-4#, 8-20#)		1
1	GH1340A-OP01	Tool Tightening Wrench		1
2	GH1340A-OP02	Three Jaw Chuck Wrench		1
3	GH1340A-OP03	Chuck Mounting Wrench		1
4	GH1340A-OP04	Oil Gun		1
5	GH1340A-OP05	Pads (serial #1902XXXX and higher)	DTH-110,M14x80	8
7	GH1340A-OP07	Tool Box (bare)		1
8	GH1340A-CG1E	Change gear	m=1.25,Z=30	1
9	GH1340A-CG2E	Change gear	m=1.25,Z=52	1
10	GH1340A-CG3E	Change gear	m=1.25,Z=60	1
11	GH1340A-OP08	Morse Reduction Sleeve	Morse N.o5/3	1
12	GB5782- M12x50	Hexagon Head Bolt	M12x50	6
	GB 97.2-12	Flat Washer	12	6
13	GB5782-M8x35	Hex Head Cap Screw	M8x35	2
14	GHB1340A-G120	Pin	5x35	2
15	GH1340A-OP10	Center	Morse N.o3	1
16	GH1340A-OP11	Center	Morse N.o3	1
17	GH1340A-OP12	Cross Point Screw Driver		1
18	GH1340A-OP13	Flat Blade Screw Driver		1
19	GH1340A-OP14	Double End	,9/11,10/12,12/14	3
20	GH1340A-OP15	Hex Wrench	2, 2.5, 3, 4, 5, 6, 8	7
21	GH1340-FP	Face Plate	300mm,D1-4	1
22	321430	4-Jaw Chuck	200mm	1



## GHB-1330 / 1340A Electrical Schematic



### Electrical Schematic

#### Index Part No. No.

#### Description

#### Size

#### Qty.

SB1	...	GHB1340-SB1	Emergency Stop	ZB2-BE102C	1
SB2	...	GHB1340-SB2	Jog Button	ZB2-ZA131	1
HL	.....	GHB1340-HL	Power Indicator Light	XB7-EVF3LC	1
KA1	.....	GHB1340-KA1	Relay	JZC3-40d	1
KM1	.....	GHB1340-KM1	A.C.Contactor	GSC1-1201	1
KM2	.....	GHB1340-KM2	A.C.Contactor	GSC1-1201	1
TC	.....	GHB1340-TC	Control Transformer	JBK5-100VATH	1
SQ1	.....	GHB1340-SQ1	Stroke Switch (Limit Switch)	LXW5-11Q1	1
SQ2	.....	GHB1340-SQ2	Stroke Switch Fw	TM1306	1
SQ3	.....	GHB1340-SQ3	Stroke Switch Rev	TM1306	1
SQ4	.....	GHB1340-SQ4	Stroke Switch	TM1701	1
SQ5	.....	GHB1340-SQ5	Stroke Switch (Limit Switch)	QKS8	1
QF1	.....	GHB1340-QF1	Breaker	DZ47-63	1
QF2	.....	GHB1340-QF2	Breaker	DZ47-63	1
QF3	.....	GHB1340-QF3	Breaker	DZ47-63	1
EL	.....	GHB1340-EL	Lamp	JC34A	1
XB	.....	GHB1340-XB	Copper Plate (for grounding)		1
θ	.....	θ	Motor Thermal Overload (inside of motor)		1
	.....	GHB1340-EBC-G	Electrical Box Complete		1
	.....	GHB1340-18701-G	Electrical Box (bare)		1
	.....	ZX-TPCG	Stainless Wire Woven Tube (Chuck guard cable)	M16×1.5 -0.8m	1
	.....	GHB1340A-TPDRO	Stainless Wire Woven Tube (DRO cable)	M16×1.5-0.8m	1

GHB-1330 / 1340A Electrical Wiring Photo

