



BD-3

METAL LATHE

BD-3-M ...50000080M.....1~230V,50HZ

PARTS LIST



JPW Tool Group Hong Kong Limited
98 Granville Road, Tsimshatsui East, Kowloon, Hong Kong, PRC
www.jettools.com

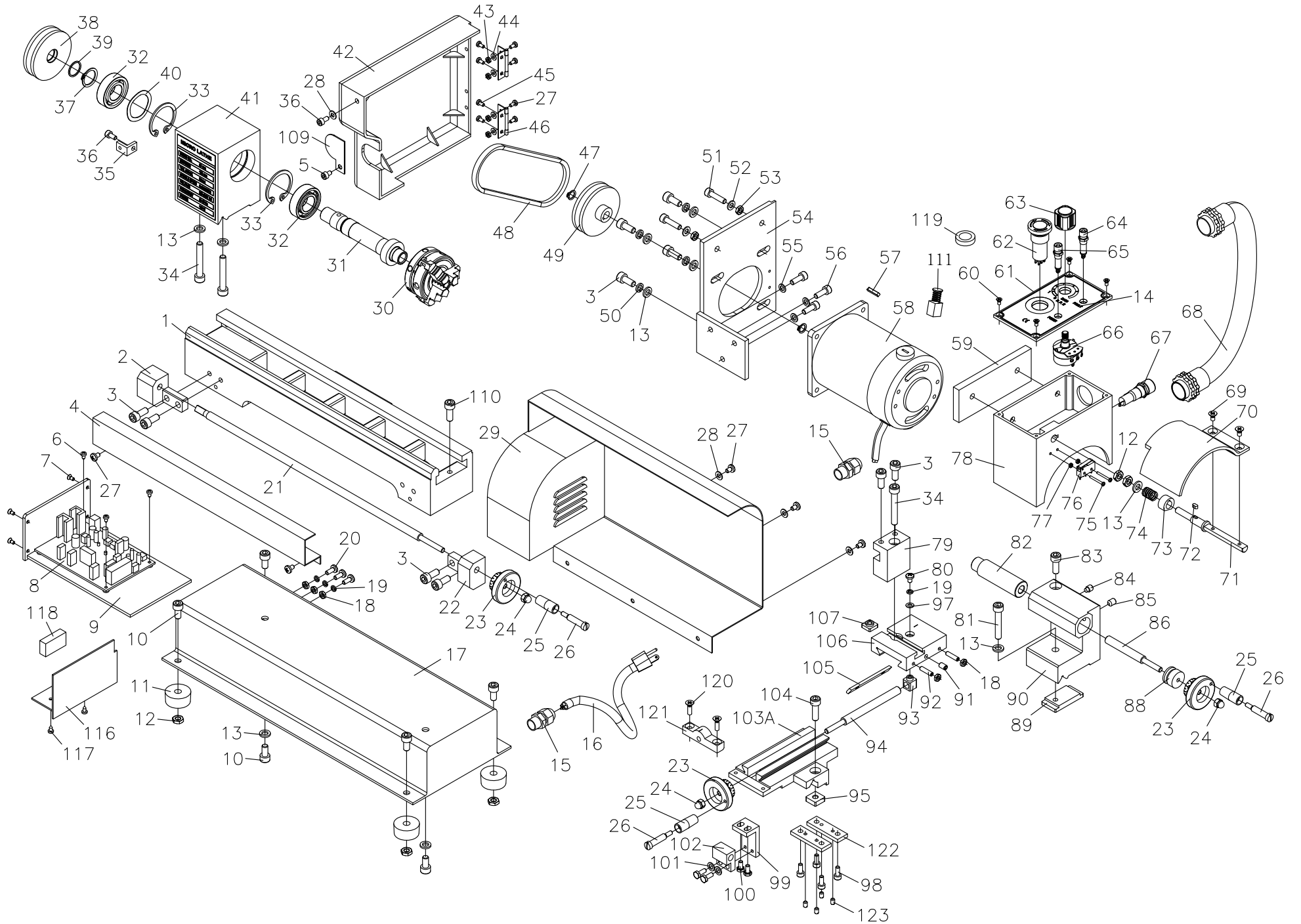
105082, : « »
www.jettools.ru , . 17

Made in PRC /

P-50000080M

2022-11

Parts Breakdown For BD-3 Metal Lathe



Part List for BD-3 Metal Lathe

No.	Part no.	Description	Size	Qty.
1	BD3-001	Bed way		1
2	BD3-002	Leadscrew left support		1
3	BD3-003	Screw	M6*14	10
4	BD3-004	Protective cover for leadscrew		1
5	BD3-005	Screw	M4*6	1
6	BD3-006	Screw	ST2.9*6.5	3
7	BD3-007	Screw	M3*8	4
8	BD3-008	PC Board		1
9	BD3-009	Electricity fixed plate		1
10	BD3-010	Screw	M6*12	6
11	BD3-011	Rubber pad		4
12	BD3-012	Nut	M6	6
13	BD3-013	Small washer	6	10
14	BD3-014	Switch label Series #13061262 and down		1
	BD3-014A	Switch label Series # 13091263 and up		1
15	BD3-015	lock connect		2
16	BD3-016	Power line		1
17	BD3-017	Base		1
18	BD3-018	Nut	M4	5
19	BD3-019	Spring washer	4	4
20	BD3-020	Screw	M4*10	3
21	BD3-021	leadscrew		1
22	BD3-022	Leadscrew right support		1
23	BD3-023	Handle wheel series#16070315 and down		3
	BD3-023A	Handle wheel series#16070316 and up		3
24	BD3-024	Cap nut	M5	3
25	BD3-025	Rotate small handle series#16070315 and down		3
	BD3-025A	Rotate samll handle series#16070316 and up		3
26	BD3-026	Handle screw series#16070315 and down		3
	BD3-026A	Handle screw series#16070316 and up		3
27	BD3-027	Screw	M4*6	9
28	BD3-028	Flat washer	4	4
29	BD3-029	Dust guard		1
30	BD3-030	3 jaw chuck		1
31	BD3-031	Spindle		1
32	BD3-032	Bearing	17*35*10	2
33	BD3-033	check ring	35	2
34	BD3-034	Screw	M6*40	3
35	BD3-035	Fixed support		1
36	BD3-036	Screw	M4*8	2
37	BD3-037	Check ring	17	1
38	BD3-038	V pulley		1
39	BD3-039	Adjust ring		1
40	BD3-040	Washer		1
41	BD3-041	Headstock		1
42	BD3-042	Pulley cover		1
43	BD3-043	Nut	M4	4
44	BD3-044	Washer	4	4
45	BD3-045	Screw	M4*8	6

Part List for BD-3 Metal Lathe

No.	Part no.	Description	Size	Qty.
46	BD3-046	Higne	38*31	2
47	BD3-047	Check ring	8	2
48	BD3-048	V belt		1
49	BD3-049	V pulley		1
50	BD3-050	Spring washer	6	4
51	BD3-051	Screw	M5*20	2
52	BD3-052	Small washer	5	2
53	BD3-053	Nut	M5	2
54	BD3-054	Motor connect plate		1
55	BD3-055	Washer	5	3
56	BD3-056	Screw	M5*14	3
57	BD3-057	key	3*16	1
58	BD3-058	DC Motor		1
59	BD3-059	Mat plate		1
60	BD3-060	Screw	ST2.9*9.5	4
61	BD3-061	Electric box cover Series #13061262 and down		1
	BD3-061A	Electric box cover Series # 13091263 and up		1
62	BD3-062	Emergency stop button Series #13061262 and down		1
	BD3-062A	Emergency stop button Series #13091263 and up		1
63	BD3-063	Variable speed control knob		1
64	BD3-064	Yellow lamp		1
65	BD3-065	Green lamp		1
66	BD3-066	Variable speed control		1
67	BD3-067	Fuse box		1
68	BD3-068	plastic tube		1
69	BD3-069	Screw	M4*8	2
70	BD3-070	protective cover for chuck Series #13061262 and down		1
	BD3-070A	protective cover for chuck Series #13091263 and up		1
71	BD3-071	Rotate shaft		1
72	BD3-072	key	3*6	1
73	BD3-073	Spacer		1
74	BD3-074	Compress spring	L=16	1
75	BD3-075	Screw	M2*20	2
76	BD3-076	Micro switch		1
77	BD3-077	Nut	M2	2
78	BD3-078	Electric box		1
79	BD3-079	Knife rest		1
80	BD3-080	Screw	M4*6	1
81	BD3-081	Screw	M6*35	1
82	BD3-082	Tailstock shaft		1
83	BD3-083	Screw	M6*16	1
84	BD3-084	Set screw		1
85	BD3-085	Set screw	M6*8	1
86	BD3-086	Tailstock shaft leadscrew		1
87	BD3-087	Small handle		2
88	BD3-088	Nesting		1
89	BD3-089	baffle		1
90	BD3-090	Tailstock		1
91	BD3-091	Screw	M5*8	1

Part List for BD-3 Metal Lathe

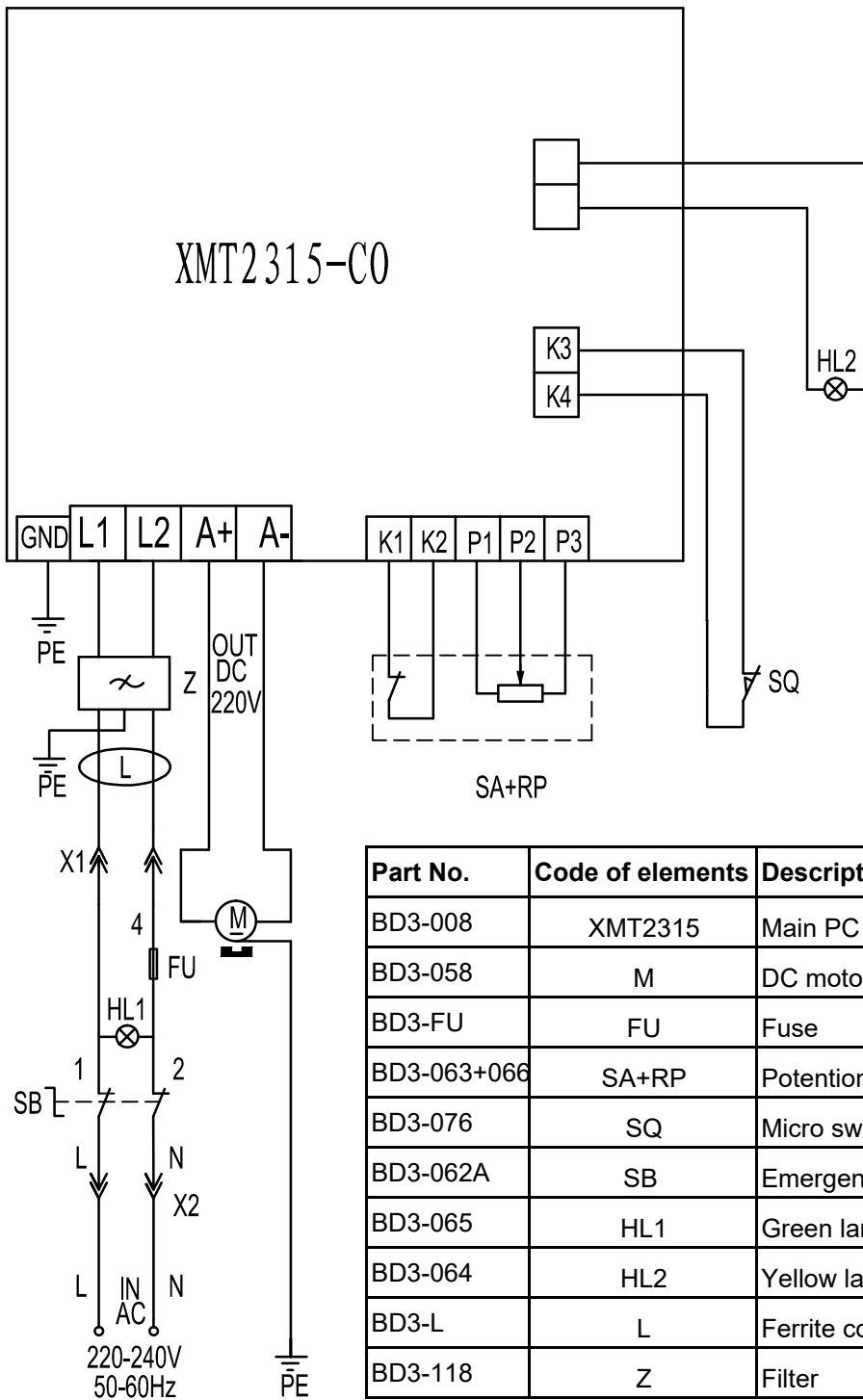
No.	Part no.	Description	Size	Qty.
92	BD3-092	Screw	M4*16	2
93	BD3-093	Saddle nut		1
94	BD3-094	Leadscrew		1
95	BD3-095	Saddle nut		1
96	BD3-096	Press plate Series #13061262 and down		1
		Cancel Series #13091263 and up		
97	BD3-097	Small washer	4	1
98	BD3-098	Screw	M4*10	4
99	BD3-099	Nut support		1
100	BD3-100	Bolt	M4*10	4
101	BD3-101	Washer	4	2
102	BD3-102	Leadscrew nut		1
103	BD3-103	Saddle		1
104	BD3-104	Screw	M6*20	1
105	BD3-105	Saddle wedge		1
106	BD3-106	middle saddle		1
107	BD3-107	Rest nut		1
109	BD3-109	baffle		1
110	BD3-110	Screw	M5*10	1
111	JMD1-192	Carbon brush for motor		2
116	BD3-116	Baffle		1
117	BD3-117	Screw	ST2.9*6.5	2
118	BD3-118	Filter		1
119	BD3-119	Porcelain		1
120	BD3-120	Cap screw	M4*14	2
121	BD3-121	Support		1
122	BD3-122	Press plate		2
123	BD3-123	Set screw	M4*6	4

Standard Accessories List for BD-3 Metal Lathe

No.	Part no.	Description	Size	Qty.
1	BD3-ACC-01	Jaw chuck key		2
2	BD3-ACC-02	Double end wrench	S1*S2:5.5*7	1
3	BD3-ACC-03	Wrench for spindle		1
4	BD3-ACC-04	Dead center		1
5	BD3-ACC-05	L hex wrench	S: 3,4,5	each 1
6	BD3-ACC-06	Phillips screwdriver		1
7	BD3-ACC-07	FUSE	1A	1
8	BD3-ACC-08	HANDEL		3 SET



BD-3-M ...50000080M.....1~230V,50HZ



Part No.	Code of elements	Description	Type
BD3-008	XMT2315	Main PC board	XMT2315
BD3-058	M	DC motor	ZYT-150
BD3-FU	FU	Fuse	1A
BD3-063+066	SA+RP	Potionmeter with switch	
BD3-076	SQ	Micro switch	SS-5GL
BD3-062A	SB	Emergency switch	HY57B
BD3-065	HL1	Green lamp	ZD7-11
BD3-064	HL2	Yellow lamp	
BD3-L	L	Ferrite core	
BD3-118	Z	Filter	XMT2315L