

POWERMATIC®

PM1250

Electrostatic Air Filtration System

Original:

GB

Operating Instructions

Translations:



TOOL FRANCE SARL
9 Rue des Pyrénées, 91090 LISSES, France
www.powermatic.com



2019-09

CE-Conformity Declaration
CE-Konformitätserklärung
Déclaration de conformité CE

Product / Produkt / Produit:

Electrostatic Air Filtration System
PM1250

Brand / Marke / Marque:

POWERMATIC

Manufacturer / Hersteller / Fabricant:

TOOL FRANCE SARL
9 Rue des Pyrénées, 91090 LISSES, France

We hereby declare that this product complies with the regulations
Wir erklären hiermit, dass dieses Produkt der folgenden Richtlinie entspricht
Par la présente, nous déclarons que ce produit correspond aux directives suivantes

2006/42/EC

Machinery Directive / Maschinenrichtlinie / Directive Machines

2014/30/EU

Electromagnetic compatibility / elektromagnetische Verträglichkeit / compatibilité électromagnétique

2014/53/EU

Radio Equipment Directive / Funkanlagen Richtlinie / Directive équipements hertziens

2011/65/EU

RoHS directive / RoHS-Richtlinie / Directive RoHS

designed in consideration of the standards
und entsprechend folgender zusätzlicher Normen entwickelt wurde
et été développé dans le respect des normes complémentaires suivantes

EN 60335-1:2012+A11:2014+A13:2017

EN 60335-2-65:2003+A1:2008+A11:2012

EN 62233:2008, EN 61000-3-2:2014, EN 61000-3-3:2013

Responsible for the Documentation / Dokumentations-Verantwortung / Responsabilité de Documentation

Head Product-Mgmt / Leiter Produkt-Mgmt./ Resp. de Gestions Produits

TOOL FRANCE SARL



2019-05-08 Christophe SAINT SULPICE, General Manager

TOOL FRANCE SARL

9 Rue des Pyrénées, 91090 LISSES, France



1.0 IMPORTANT SAFETY INSTRUCTIONS

When using an electrical appliance, basic precautions should always be followed, including the following:

READ ALL INSTRUCTIONS BEFORE USING THIS AIR FILTRATION UNIT.

WARNING – To reduce the risk of fire, electric shock, or injury:

1. Read and understand the entire owner's manual before attempting assembly or operation.
2. Read and understand the warnings posted on the machine and in this manual. Failure to comply with all of these warnings may cause serious injury.
3. Replace warning labels if they become obscured or removed.
4. Do not operate this machine while tired or under the influence of drugs, alcohol or any medication.
5. Make certain the machine is properly grounded.
6. Disconnect the filtration unit from the power source (unplug) before servicing or changing filters.
7. Keep guards and covers in place at all times when the machine is in use. If removed for maintenance purposes, use extreme caution and replace the guards immediately after service is complete.
8. Check damaged parts. Before further use of the machine, a guard or other part that is damaged should be carefully checked to determine that it will operate properly and perform its intended function. Check for alignment of moving parts, binding of moving parts, breakage of parts, mounting and any other conditions that may affect its operation. A guard or other part that is damaged should be properly repaired or replaced.
9. Make your workshop child proof with padlocks, master switches or by removing safety keys.
10. Use recommended accessories; improper accessories may be hazardous.
11. Do not place this unit on an unstable surface, or where there is a risk of tipping over. Serious injury could occur if the unit tips over.
12. Do not use this air filtration unit with a damaged cord or plug. If the unit is not working as it should, has been dropped, damaged, left outdoors, or dropped into water, return it to a service center.
13. If ceiling mounted, bottom of filtration unit must be at least 7 feet from the floor.
14. If ceiling mounted, mounts must be anchored to building structure which will support the weight of the air filtration unit. Never mount to surfaces such as dry wall or false ceiling grids.
15. To reduce risk of electric shock, do not expose filtration unit to water or rain.
16. Never duct a machine directly into the air filtration unit.
17. To avoid a potentially dangerous situation, do not use this equipment to filter volatile fumes or smoke.
18. Do not use this unit in high humidity environments. Doing so may cause electric shock and/or decreased performance of the unit.
19. Do not use this equipment to filter flammable vapors. This air filtration unit is designed and intended for the filtration of air borne dust only. It is neither designed nor intended for any other purpose whatsoever. If used for other purposes, Powermatic disclaims any real or implied warranty and holds itself harmless from any injury that may result from that use.
20. This product complies with the maximum allowable concentration of ozone of 0.050 parts per million by volume (ppmv) in a 24-hour period. The Health Canada Guideline 2010 recommends that the maximum exposure limit, based on an averaging time of 8 hours, is 0.020 ppmv or less when tested in a sealed, controlled room approximately 30 m³.
21. This appliance can be used by children aged from 8 years and above and persons with reduced physical, sensory or mental capabilities or lack of experience and knowledge if they have been given supervision or instruction concerning use of the appliance in a safe way and understand the hazards involved.
22. Children shall not play with the appliance.
23. Cleaning and user maintenance shall not be made by children without supervision.

Familiarize yourself with the following safety notices used in this manual:

⚠CAUTION This means that if precautions are not heeded, it may result in minor injury and/or possible machine damage.

⚠WARNING This means that if precautions are not heeded, it may result in serious or possibly fatal injury.

2.0 Table of contents


Section	Page
1.0 IMPORTANT SAFETY INSTRUCTIONS	3
2.0 Table of contents.....	5
3.0 About this manual	5
4.0 PM1250 Electrostatic AFS specifications.....	6
4.1 PM1250 mounting hole pattern	7
5.0 Electrical connections	8
5.1 GROUNDING INSTRUCTIONS	8
6.0 Unpacking	9
6.1 Shipping contents.....	9
7.0 Assembly.....	9
8.0 Operation	9
8.1 Tilt Adjustment.....	9
8.2 Basic procedure	9
9.0 User-maintenance.....	9
9.1 Filter cleaning and replacement	9
9.2 Anion generator maintenance	10
9.3 Additional servicing	10
10.0 Troubleshooting PM1250 Electrostatic AFS	12
11.0 Replacement parts	13
11.1.1 PM1250 Electrostatic AFS – Parts List	13
11.1.2 PM1250 Electrostatic AFS – Exploded View.....	14
12.0 Electrical connections for PM1250.....	15

3.0 About this manual

This manual is provided by Powermatic covering the safe operation and maintenance procedures for the PM1250 Electrostatic Air Filtration System. This manual contains instructions on installation, safety precautions, general operating procedures, maintenance instructions and parts breakdown. Your machine has been designed and constructed to provide consistent, long-term operation if used in accordance with the instructions set forth in this document.

If there are questions or comments, please contact your local supplier or Powermatic. Powermatic can also be reached at our web site: www.powermatic.com.

Retain this manual for future reference. If the machine transfers ownership, the manual should accompany it.

 WARNING Read and understand the entire contents of this manual before attempting assembly or operation! Failure to comply may cause serious injury!

Register your product using the mail-in card provided, or register online:

<http://www.powermatic.com/us/en/service-and-support/product-registration/>

The PM1250 Electrostatic Air Filtration System is CARB certified to comply with the federal ozone emissions limit.

4.0 PM1250 Electrostatic AFS specifications

Table 1

Stock number		1791331M	
Model number		PM1250	
Blower speeds		3	
Timer settings (hours)		1, 2, 4, 8	
Sound rating @ 1M ¹	High speed	54.5 dBA ±10%	
	Medium speed	45.6 dBA ±10%	
	Low speed	43.5 dBA ±10%	
Air flow with filter ¹	High speed	1740 m ³ /h ±10%	
	Medium speed	1075 m ³ /h ±10%	
	Low speed	475 m ³ /h ±10%	
CADR (Clean Air Delivery Rate) ^{1,2,3}	High speed	Smoke	>765 m ³ /h
		Dust	>680 m ³ /h
		Pollen	>765 m ³ /h
	Medium speed	Smoke	603 m ³ /h
		Dust	619 m ³ /h
		Pollen	661 m ³ /h
	Low speed	Smoke	420 m ³ /h
		Dust	426 m ³ /h
		Pollen	445 m ³ /h
Energy Efficiency Grade (E=CADR/Power)	High speed	>12.8	
	Medium speed	18.67	
	Low speed	17.5	
Motor (input)		65W, DC 310V	
Electrical input required		220~240VAC, 50Hz, 10A	
Current draw ¹	High speed	65W ±10%	
	Medium speed	34.7W ±10%	
	Low speed	16W ±10%	
Cord and plug		VDE H05-VVF 3Gx0.75mm ² , 16A plug	
Amperage draw	High speed	0.31 A	
	Medium speed	0.19 A	
	Low speed	0.13 A	
Filter diameter		543 mm	
Approximate filter life		3000 operating hours	
Programmed cleaning alert (flashing red indicator)		1000 operating hours	
Remote control batteries		(2) AAA	
Overall dimensions, WxHxD		688 x 650 x 380 mm	
Shipping dimensions, LxWxH		738 x 725 x 355 mm	
Net weight, approx.		17.3 kg	
Shipping weight, approx.		23.6 kg	

L = length, W = width, H = height, D = depth

¹ Variable of ±10%, for general information only, not to be viewed as fixed parameters for inspection purposes.

² Tests performed by independent third party in accordance with ANSI/AHAM AC-1-2015 entitled *Association of Home Appliance Manufacturers Method for Measuring Performance of Portable Household Electric Room Air Cleaners*.

³ In accordance with AHAM's 2/3 rule, these numbers are applicable to a room of up to 63 sq. m. for airborne particles. Powermatic always recommends using an appropriately sized dust collector in conjunction with our air filtration systems.

The specifications in this manual were current at time of publication, but because of our policy of continuous improvement, Powermatic reserves the right to change specifications at any time and without prior notice, without incurring obligations.

4.1 PM1250 mounting hole pattern

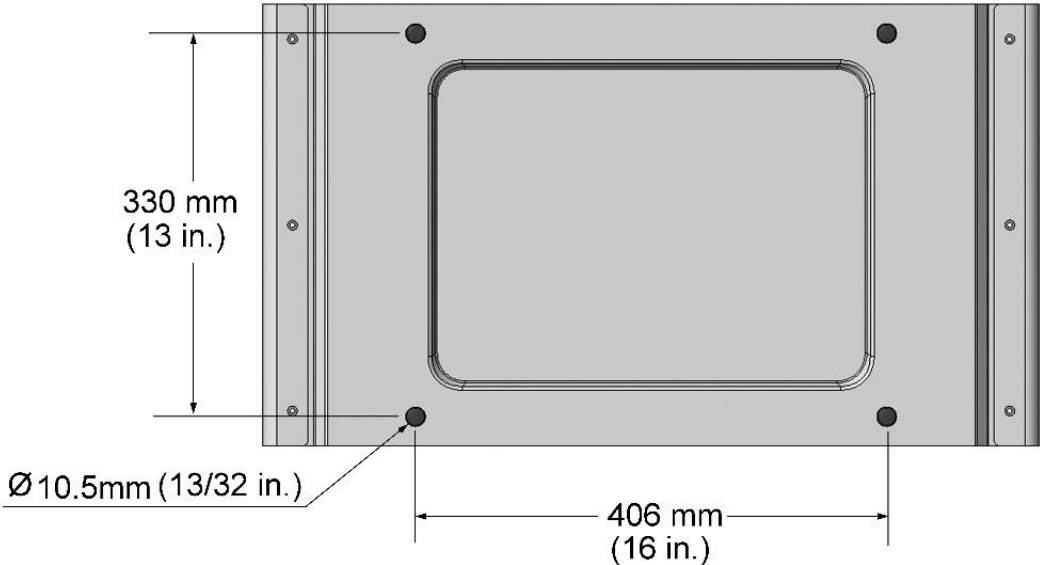


Figure 4-1

5.0 Electrical connections

⚠WARNING Electrical connections should be made by a qualified electrician in compliance with all relevant codes. Failure to comply may cause serious injury.

The PM1250 Electrostatic AFS is prewired for single phase, 230V power. It is provided with a plug designed for use on a circuit with a grounded outlet that looks like the one pictured in Figure 5-1.

It is recommended that the PM1250 be connected to a dedicated 15 amp circuit with circuit breaker or fuse. If fuses are used, they should be time-delay fuse marked "D". **Local codes take precedence over recommendations.**

IMPORTANT: This electrostatic unit must be electrically grounded for proper operation, as well as for safety reasons (see below).

5.1 GROUNDING INSTRUCTIONS

1. All Grounded, Cord-connected Tools:

This machine must be grounded. In the event of a malfunction or breakdown, grounding provides a path of least resistance for electric current to reduce the risk of electric shock. This tool is equipped with an electric cord having an equipment-grounding conductor and a grounding plug. The plug must be plugged into a matching outlet that is properly

installed and grounded in accordance with all local codes and ordinances.

Do not modify the plug provided - if it will not fit the outlet, have the proper outlet installed by a qualified electrician.

Improper connection of the equipment-grounding conductor can result in a risk of electric shock. The conductor with insulation having an outer surface that is green with or without yellow stripes is the equipment-grounding conductor. If repair or replacement of the electric cord or plug is necessary, do not connect the equipment-grounding conductor to a live terminal.

⚠WARNING Check with a qualified electrician or service personnel if the grounding instructions are not completely understood, or if in doubt as to whether the tool is properly grounded. Failure to comply may cause serious or fatal injury.

Use only 3-wire extension cords that have 3-prong grounding plugs and 3-pole receptacles that accept the tool's plug.

Repair or replace damaged or worn cord immediately.

2. *Grounded, cord-connected tools intended for use on a supply circuit having a nominal rating less than 300 volts:*

6.0 Unpacking

6.1 Shipping contents

Open shipping cartons and check that all parts are intact. Report any damage or missing parts to your distributor. Note that your unit may be provided with extra fasteners. Read the instruction manual thoroughly for assembly, alignment, and maintenance instructions.

- 1 Air filtration unit
- 2 Side plates
- 1 Base plate
- 1 Remote control (batteries not included)
- 2 Knobs
- 6 Pan head machine screws M5x10
- 6 Lock washers M5
- 4 Rubber pads
- 1 Cleaning brush
- 1 Operating instructions and parts manual
- 1 Product registration card

7.0 Assembly

Assemble base of unit with provided screws and washers, as shown in Figure 8-1.

If filtration unit is to remain portable, press the four rubber pads into the mounting holes.

The unit may also be fixed to a table, wall or ceiling, using appropriate fasteners (not included) through four holes in base. See Figure 4-1 for hole pattern. 3/8" diameter fasteners are recommended. NOTE: First secure assembled base to structure, then mount filtration unit with the two knobs.

⚠WARNING Wall or ceiling structure must be capable of supporting weight of air filtration unit and absorbing any vibrations arising from the unit. Appropriate fasteners must be used to secure to structure. Failure to comply may cause serious injury.

8.0 Operation

8.1 Tilt Adjustment

Loosen side knobs and tilt frame to any position. Retighten both knobs.

For best results, when unit is ceiling-mounted position front (filter side) downward; when unit is table-mounted position front (filter side) vertically.

8.2 Basic procedure

Refer to Figure 8-2.

1. Plug in unit. *On/off* indicator light glows red for standby mode.

2. Press *Power* button to start unit. *Speed* indicator light glows green, and default speed is selected.
3. Press and release *Speed* button until desired speed indicator is green.
4. Press *Timer* button until desired timer indicator is green. If *Timer* button is not pressed again for 3 seconds, the selected time indicator will flash multiple times, then stay green.
5. Unit will count down from the corresponding time, and will automatically shut off at time expiration.

Example: 8H indicator stays green when timing begins; switches to 4H indicator after four hours, then to 2H indicator after another two hours, then to 1H, and finally unit will shut off and remain in standby condition.

Note: If Timer function is not used, unit will continue to operate until *Power* button is pressed.

All above functions can be operated remotely. See Figure 8-3. The remote control uses radio frequency, and thus is not limited to line-of-sight operation.

9.0 User-maintenance

The batteries should be changed in the remote control as needed, particularly if unit seems unresponsive to remote operation.

9.1 Filter cleaning and replacement

The disposable filter is designed for approximately 3000 hours of life, dependent upon speed setting and working environment. See Table 3.

<i>Speed</i>	<i>Operating time</i>	<i>Approximate filter life consumed</i>
Low	1 hour	0.75 hours
Medium	1 hour	1 hour
High	1 hour	1.25 hours

Table 3

Filter life may be extended by occasional use of a shop vacuum or compressed air to clean off the dust. However, a dirty filter should be replaced as it will diminish the efficiency of the unit.

Clean the filter after every 1000 hours of operation, or more frequently if needed. The unit is programmed to alert the user after 1000 hours; the red indicator light will flash twice per second.

After 3000 hours of operation, the filter should be discarded and replaced by a new one.

To remove filter:

1. When filter life reaches programmed time (1000 hours), red *Reset* indicator light will flash twice per second.
2. Turn off unit.



CAUTION: The internal metal ring carries an electrical charge during operation. Turn off unit before attempting to remove cover.

3. Rotate cover counterclockwise and remove it, along with the prefilter. See Figure 8-4.
4. Hold the frame stationary, and rotate filter counterclockwise to remove.
5. Clean dust from filter with vacuum or soft bristle brush. Blow dust from recessed areas of filter with a household air blower. Also clean out any residual dust from inside the unit.

To install cleaned or replacement filter:

6. Center filter onto stator and turn it clockwise (about 1/8 of a turn) until it fully engages – you will feel a hard stop.
7. Install cover and rotate clockwise until it fully engages. A lock/unlock graphic is molded into left and right edges of the cover as a guide. Note: A sensor prevents unit from starting if cover is not installed properly.
8. Plug in unit. Red *Reset* indicator light will flash.
9. Press and hold *Power* button for 5 seconds until red indicator light goes off. Filter life count is now reset.

9.2 Anion generator maintenance

Remove dust regularly from the anion generator (i.e. carbon brush) with the provided cleaning brush. See Figure 9-1.



Figure 9-1

9.3 Additional servicing

Any additional servicing should be performed by authorized service personnel.

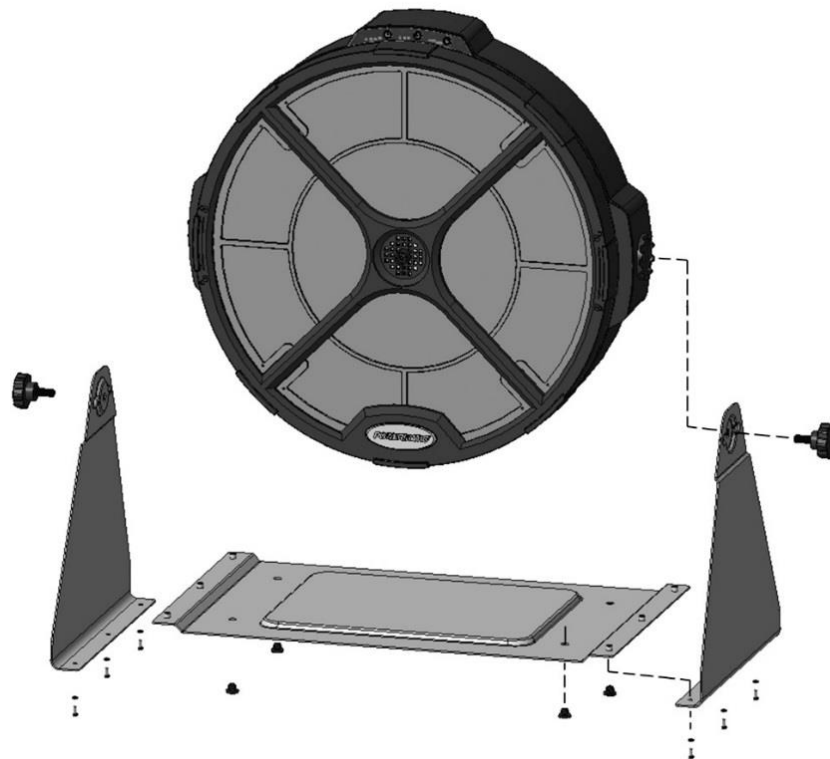


Figure 8-1: Assembly

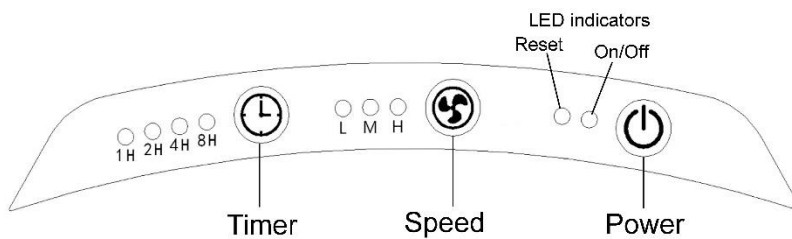


Figure 8-2: Controls

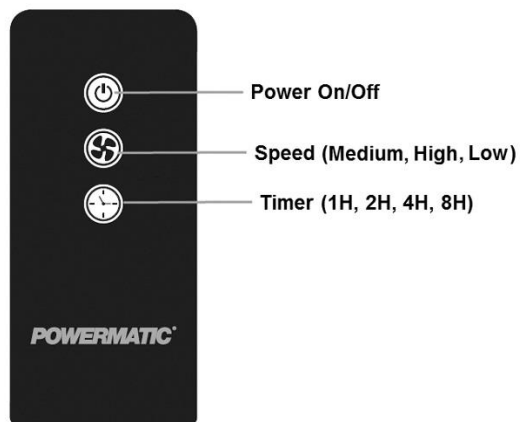


Figure 8-3: Remote control

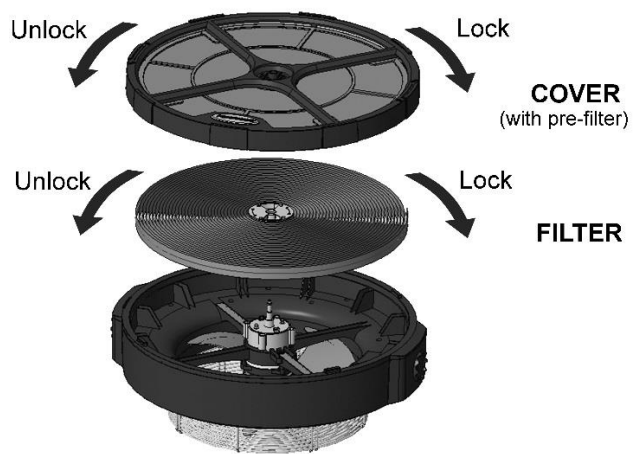


Figure 8-4: Filter replacement

10.0 Troubleshooting PM1250 Electrostatic AFS

Table 4

Symptom	Probable Cause	Remedy*
Machine will not start.	No incoming power.	Check plug connection.
	Cover improperly installed.	Reinstall cover. If properly installed, red light will illuminate on control panel.
	Low voltage.	Request voltage check from power company and correct low voltage condition.
	Power cord damaged.	Replace cord.
	Control button or PCBA malfunction.	Contact Powermatic customer service.
Excessive vibration.	Loose frame parts, knobs or fasteners.	Inspect and tighten as needed.
	Impeller imbalance.	Clean impeller (do not use solvents). If imbalance still occurs, replace impeller.
	Motor imbalance.	Have motor tested by qualified personnel; replace if needed.
Unit not responding to remote control.	Weak batteries in remote control.	Replace batteries.
	Radio frequency interference.	Identify sources of interference and eliminate them, or relocate unit.
	Remote control or machine control panel malfunction.	Contact Powermatic customer service.
Unit not working efficiently; not cleaning air.	Filter not installed properly.	Reinstall filter; make sure it is fully rotated.
	Blocked air flow.	Inspect filter; replace if dirty. Vacuum or blow out the pre-filter and any residual dust from inside unit.
	Unit not electrically grounded.	Check power source; make sure grounding is working.
Controls on unit not working.	Control button or PCBA malfunction.	Contact Powermatic customer service.

* **WARNING:** Some remedies may require a qualified electrician.

11.0 Replacement parts

Having the Model Number and Serial Number of your machine available when you call will allow us to serve you quickly and accurately.

Non-proprietary parts, such as fasteners, can be found at local hardware stores, or may be ordered from Powermatic.

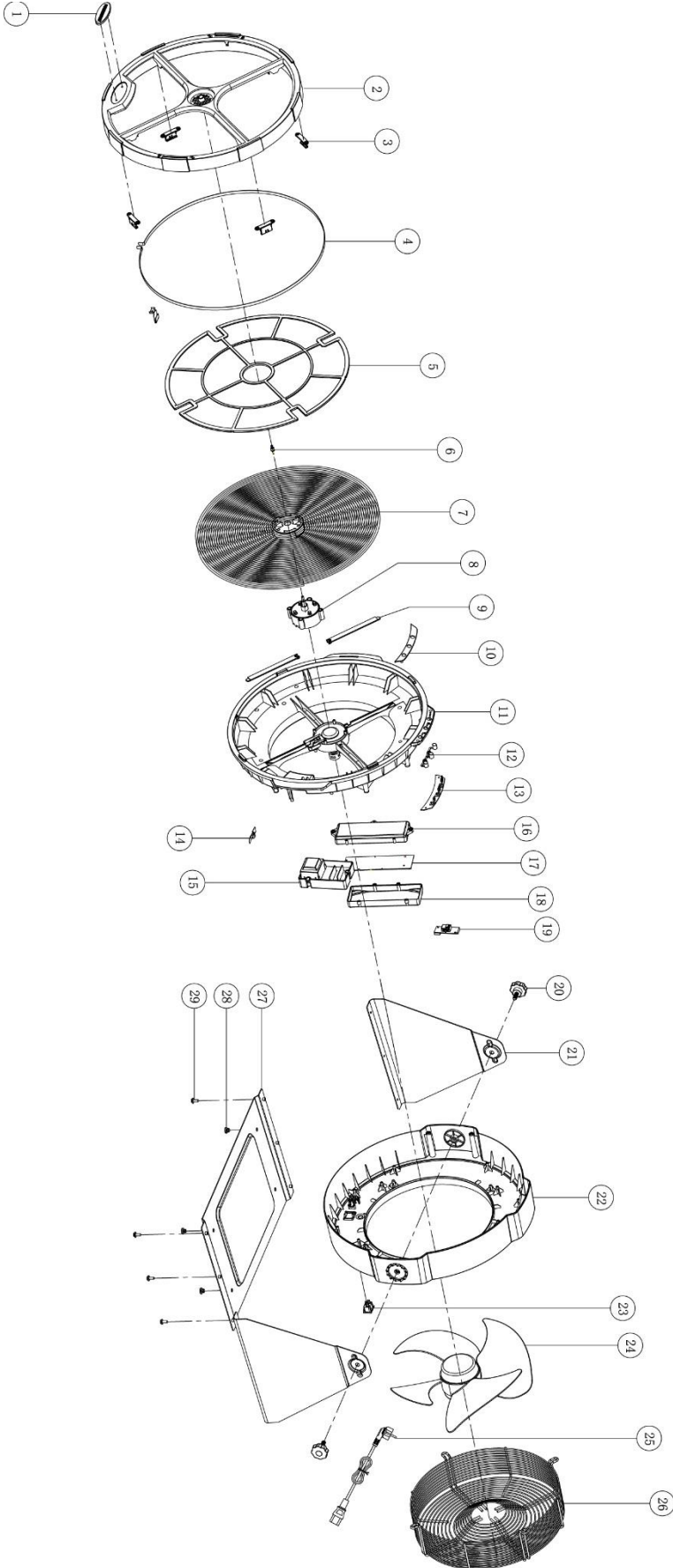
Some parts are shown for reference only, and may not be available individually.

11.1.1 PM1250 Electrostatic AFS – Parts List

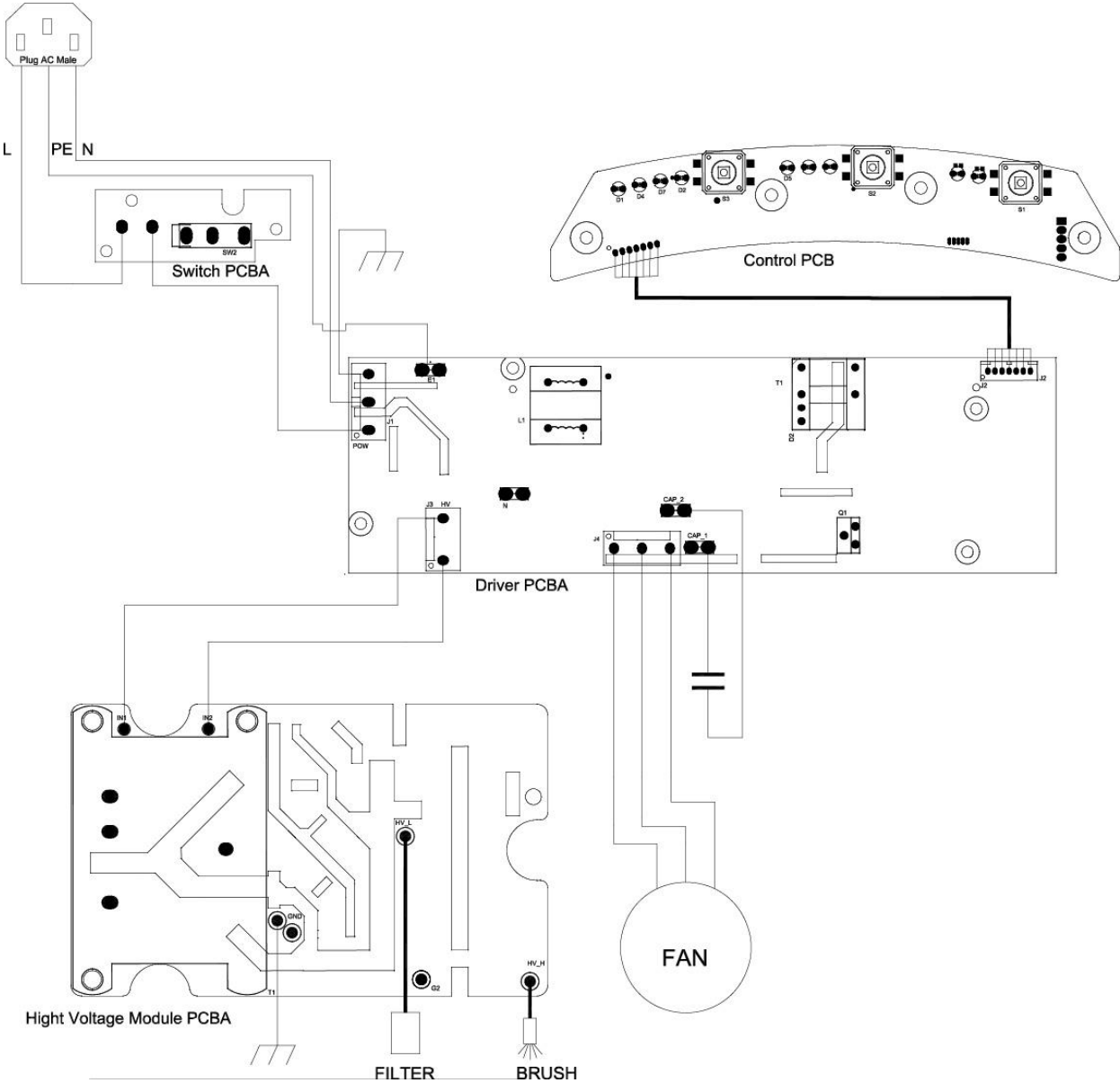
Index No	Part No	Description	Size	Qty
1	2211-J1000-01	Powermatic Logo	W100 x H36 mm	1
2	2101-J1000-01	Cover		1
3	2112-J1000-01	Cover Fastener		4
4	2203-J1000-01	Metal Ring		1
5	2111-J1000-01	Pre-Filter		1
6	2501-J1000-01	Carbon Brush		1
7	1791332	Filter		1
8	7201-J1000-02	Stator Assembly		1
9	2109-J1000-01	Cord Cover		2
10	2115-J1000-01	Display Board		1
11	2102-J1000-01	Mid-Frame		1
12	2114-J1000-01	Control Button Set		1
13	1812-JE081-01	Control PCBA		1
14	2205-J1000-01	Grounding Connector		1
15	7103-JE081-01	High Voltage Unit		1
16	2105-J1000-01	Power Box – Top		1
17	1811-JE081-01	Power PCBA		1
18	2106-J1000-01	Power Box – Bottom		1
19	1813-J1000-02	Switch PCBA		1
20	2401-J1000-01	Knob	M10x25 D=60mm	2
21	2202-J1000-01	Side Plate		2
22	2103-JE081-01	Rear Cover		1
23	1102-JE081-01	Pin Socket		1
24	1822-00000-01	EBM Fan w/ Motor	65W AC 230V/50Hz	1
25	1801-JE081-01	Power Cord	H05VV-F 3G	1
26	2202-C800A-01	Outer Net		1
27	2201-J1000-01	Base Plate		1
28	2118-J1000-01	Rubber Pad *		4
29	3130-05010-01	Phillips Pan Hd Machine Screw w/Lock Washer (not shown) *M5x10		6
30	4230-JE081-11	I.D. Label, PM1250 (not shown)		1
31	4230-J1000-13	Warning Label, PM1250 (not shown)		1
	4230- JE081-13	Warning Label, EU Type (not shown)		1
32	2502-JE081-01	Remote Control (not shown)		1
33	PM1250-36	Cleaning Brush (not shown)		1
		Batteries – local purchase	AAA	2
	PM1250-HP	Hardware Package		

* items included in hardware package

11.1.2 PM1250 Electrostatic AFS – Exploded View



12.0 Electrical connections for PM1250



POWERMATIC®

Environmental protection

Protect the environment.

Your appliance contains valuable materials which can be recovered or recycled. Please leave it at a specialized institution.



This symbol indicates separate collection for electrical and electronic equipment required under the WEEE Directive (Directive 2012/19/EC) and is effective only within the European Union.

Umweltschutz

Schützen Sie die Umwelt!

Ihr Gerät enthält mehrere unterschiedliche, wiederverwertbare Werkstoffe.
Bitte entsorgen Sie es nur an einer spezialisierten Entsorgungsstelle.



Dieses Symbol verweist auf die getrennte Sammlung von Elektro- und Elektronikgeräten, gemäß Forderung der WEEE-Richtlinie (2012/19/EU). Diese Richtlinie ist nur innerhalb der Europäischen Union wirksam.

Protection de l'environnement

Protégez l'environnement !

Votre appareil comprend plusieurs matières premières différentes et recyclables. Pour éliminer l'appareil usagé, veuillez l'apporter dans un centre spécialisé de recyclage des appareils électriques.



Ce symbole indique une collecte séparée des équipements électriques et électroniques conformément à la directive DEEE (2012/19/UE). Cette directive n'est efficace que dans l'Union européenne.

POWERMATIC®

Warranty / Garantie

TOOL FRANCE SARL guarantees that the supplied product(s) is/are free from material defects and manufacturing faults.

This warranty does not cover any defects which are caused, either directly or indirectly, by incorrect use, carelessness, damage due to accidents, repairs or inadequate maintenance or cleaning as well as normal wear and tear.

Further details on warranty (e.g. warranty period) can be found in the General Terms and Conditions (GTC) that are an integral part of the contract.

These GTC may be viewed on the website of your dealer or sent to you upon request.

TOOL FRANCE SARL reserves the right to make changes to the product and accessories at any time.

TOOL FRANCE SARL garantit, dass das/die von ihr gelieferte/n Produkt/e frei von Material- und Herstellungsfehlern ist.

Diese Garantie deckt keinerlei Mängel, Schäden und Fehler ab, die - direkt oder indirekt - durch falsche oder nicht sachgemäße Verwendung, Fahrlässigkeit, Unfallschäden, Reparaturen oder unzureichende Wartungs- oder

Reinigungsarbeiten sowie durch natürliche Abnutzung durch den Gebrauch verursacht werden.

Weitere Einzelheiten zur Garantie können den allgemeinen Geschäftsbedingungen (AGB) entnommen werden.

Diese können Ihnen auf Wunsch per Post oder Mail zugesendet werden.

TOOL FRANCE SARL behält sich das Recht vor, jederzeit Änderungen am Produkt und am Zubehör vorzunehmen.

TOOL FRANCE SARL garantit que le/les produit(s) fourni(s) est/sont exempt(s) de défauts matériels et de défauts de fabrication.

Cette garantie ne couvre pas les défauts, dommages et défaillances causés, directement ou indirectement,

par l'utilisation incorrecte ou inadéquate, la négligence, les dommages accidentels, la réparation, la maintenance

ou le nettoyage incorrects et l'usure normale.

Vous pouvez trouver de plus amples détails sur la garantie dans les conditions générales (CG).

Les CG peuvent être envoyées sur demande par poste ou par e-mail .

TOOL FRANCE SARL se réserve le droit d'effectuer des changements sur le produit et les accessoires à tout moment.