



JDP-17

DRILL PRESS

716300M....230/50/1

716300T....400/50/3

PARTS LIST



JPW Tool Group Hong Kong Limited

98 Granville Road, Tsimshatsui East, Kowloon, Hong Kong, PRC

www.jettools.com

Импортер в РФ: ООО «ИТА Технолоджи»

105082, Москва, Переведеновский пер., д. 17

www.jettools.ru

Made in PRC / Сделано в КНР

P-716300M/T

2022-09

Parts and Assembly for 716300M

Parts List

Index No	Part No	Description	Size	Qty
1	JDP17-001R	Anchor Plate		1
2	JDP17-002E	Plate		1
3	JDP17-102	Indicator Light		1
4	JDP17-004R	Front Housing		1
5	JDP17-108	Plate		1
6	131803108	Pan Head Tapping Screw	M3 x 8	2
7	TS-2284302	Pan Head Machine Screw	M4 x 30	2
8	JDP17-008E	Cable Protective Sleeve		1
9	JDP17-101E	LED Circuit Board		1
10	JDP17-107	MCU Circuit Board		1
11	JDP17-011E	Controller Assembly		1
12	JDP17-012R	LED Lamp Assembly	DC 12V, 1W x 3	1
13	JDP17-096B	Laser Assembly (serial # 16090001 and higher)		2
14	JDP17-014E	Switch Assembly		1
15	TS-1550041	Flat Washer	M6	4
16	TS-1550031	Flat Washer	M5	2
17	TS-1523011	Socket Set Screw	M6 x 6	2
18	TS-1503061	Socket HD Cap Screw	M6 x 25	4
19	F000065	Truss Head Machine Screw	M5 x 8	2
20	TS-1533042	Pan Head Machine Screw	M5 x 12	1
22	JDP17-058	Strain Relief	Dia. 10mm	1
23	131803108	Pan Head Tapping Screw	M3 x 8	4
24	131803108	Pan Head Tapping Screw	M3 x 8	4
25	JDP20-111	Pan Head Machine Screw	M5 x 6	2
26	JDP17-208	Handle Assembly (#153 and #154)		3
27	TS-1533042	Pan Head Machine Screw	M5 x 12	2
28	TS-1533032	Pan Head Machine Screw	M5 x 10	1
29	JDP17-029E	Strain Relief	Dia. 15.5mm	1
30	JDP17-030E	Strain Relief	Dia. 27mm	1
31	JDP17-030E	Strain Relief	Dia. 27mm	1
32	JDP17-032E	Cable Clamp	12.5mm	1
33	JDP17-033R	Closed End Connector	16~14AWG UL CE2	2
34	JDP17-034R	Terminal	12~10AWG UL CE5	2
36	JDP17-036R	Extension Cord for Motor with Transformer		1
37	JDP17-037R	Extension Cord for Laser Guide		1
38	JDP17-038E	Power Cord	VDE 3G x 1.0mm ²	1
39	JDP17-032E	Cable Clamp	12.5mm	1
40	JDP17-040E	Warning Label		1
41	JDP17-041R	Heat Shrinking Sleeve		1
43	JDP17-043R	Parallel Key	6 x 6 x 30	1
44	JDP17-044E	Motor Assembly	230V, 1Ph	1
	JDP17-044EMF	Motor Fan (not shown)		1
	JDP17-044ESC	Starting Capacitor (not shown)	50μF, 250V	1
	JDP17-044ERC	Running Capacitor (not shown)	16μF, 450V	1
	JDP17-044EJB	Junction Box (not shown)		1
	JDP17-044EBC	Junction Box Cover (not shown)		1
47	JDP17-036	Poly V-Belt	4PJ690 / 270J	1
48	JDP17-036	Poly V-Belt	4PJ690 / 270J	1
49	JDP17-212	Table Wrench Assembly (#50 thru #52)		1
50	JDP17-126	Wrench		1
51	JDP17-062	Magnet		1
52	TS-2171012	Pan HD Slotted Screw	M4 x 6	1
53	TS-152704	Hex Wrench	3mm	1
54	TS-152705	Hex Wrench	4mm	1
55	TS-152706	Hex Wrench	5mm	1

Parts List

Index No	Part No	Description	Size	Qty
56	TS-152707	Hex Wrench	6mm	1
57	JDP17-042	Tension Roller Base		1
58	JDP17-037	Handle		1
59	JDP17-041	Sleeve		1
60	JDP17-205	Tension Roller Assembly (#61 thru #63 and #67)		1
61	JDP17-040	Shaft		1
62	JDP17-039	Belt Tensioner		1
63	BB-6202ZZ	Ball Bearing	6202ZZ	2
64	JDP17-034	Compression Spring		1
65	TS-1550061	Flat Washer	M8	5
66	TS-1550031	Flat Washer	M5	2
67	JDP17-067R	C-Ring	A-15	1
68	TS-1533042	Pan Head Machine Screw	M5 x 12	2
69	JDP17-069R	Square Head Bolt	M8 x 75	1
70	JDP17-070R	Plastic Sleeve		1
71	JDP17-077	Retaining Ring	R52	2
72	JDP17-072R	Pulley Set Nut		1
73	JDP17-073R	Drive Sleeve Assembly (#74 thru #76)		1
74	JDP17-074R	Spacer		1
75	JDP17-075R	Drive Sleeve		1
76	BB-6205ZZ	Ball Bearing	6205ZZ	2
77	JDP17-076	Spindle Pulley		1
78	JDP17-109	Drift Key		3
79	JDP17-105	Rubber Washer		1
80	JDP17-080R	Quill Assembly (#81 thru #87)		1
81	JDP17-081R	Spindle		1
82	JDP17-082R	Quill		1
83	JDP17-083R	Washer		1
84	JDP17-084R	Locking Nut		1
85	JDP17-085R	Spindle Nut		1
86	BB-6203ZZ	Ball Bearing	6203ZZ	1
87	BB-6205ZZ	Ball Bearing	6205ZZ	1
88	JDP17-088R	Motor Pulley		1
89	TS-1524011	Socket Set Screw	M8 x 8	1
90	JDP17-206	Center Pulley Assembly (#91 thru #94)		1
91	JDP17-047	Center Pulley Shaft		1
92	JDP17-048	Center Pulley		1
93	BB-6202ZZ	Ball Bearing	6202ZZ	2
94	JDP17-067R	C-Ring	A-15	1
95	JDP17-008	Rack		1
96	JDP17-130	Table Wood Insert		1
98	JDP17-098R	Base		1
100	JDP17-100R	Column Assembly (#101 thru #103)		1
101	JDP17-005	Column		1
102	JDP17-102R	Column Support		1
103	TS-1525031	Socket Set Screw	M10 x 16	1
104	JDP17-203R	Table Assembly (#105 thru #117)		1
105	JDP17-018	Helical Gear		1
106	JDP17-014	Gear Pin		1
107	JDP17-024	Worm Shaft		1
108	JDP17-108R	Table Support		1
109	JDP17-109R	Table		1
110	JDP17-016	Taper Pin		1
111	JDP17-021	Scale Indicator		1
112	JDP17-020	Tilt Scale		1
113	TS-155010	Flat Washer	M16	1
114	TS-0071031	Hex Cap Screw	5/8-11 x 2	1
115	JDP17-025	Pan Head Rivet	Dia.2.3 x 3.5	2

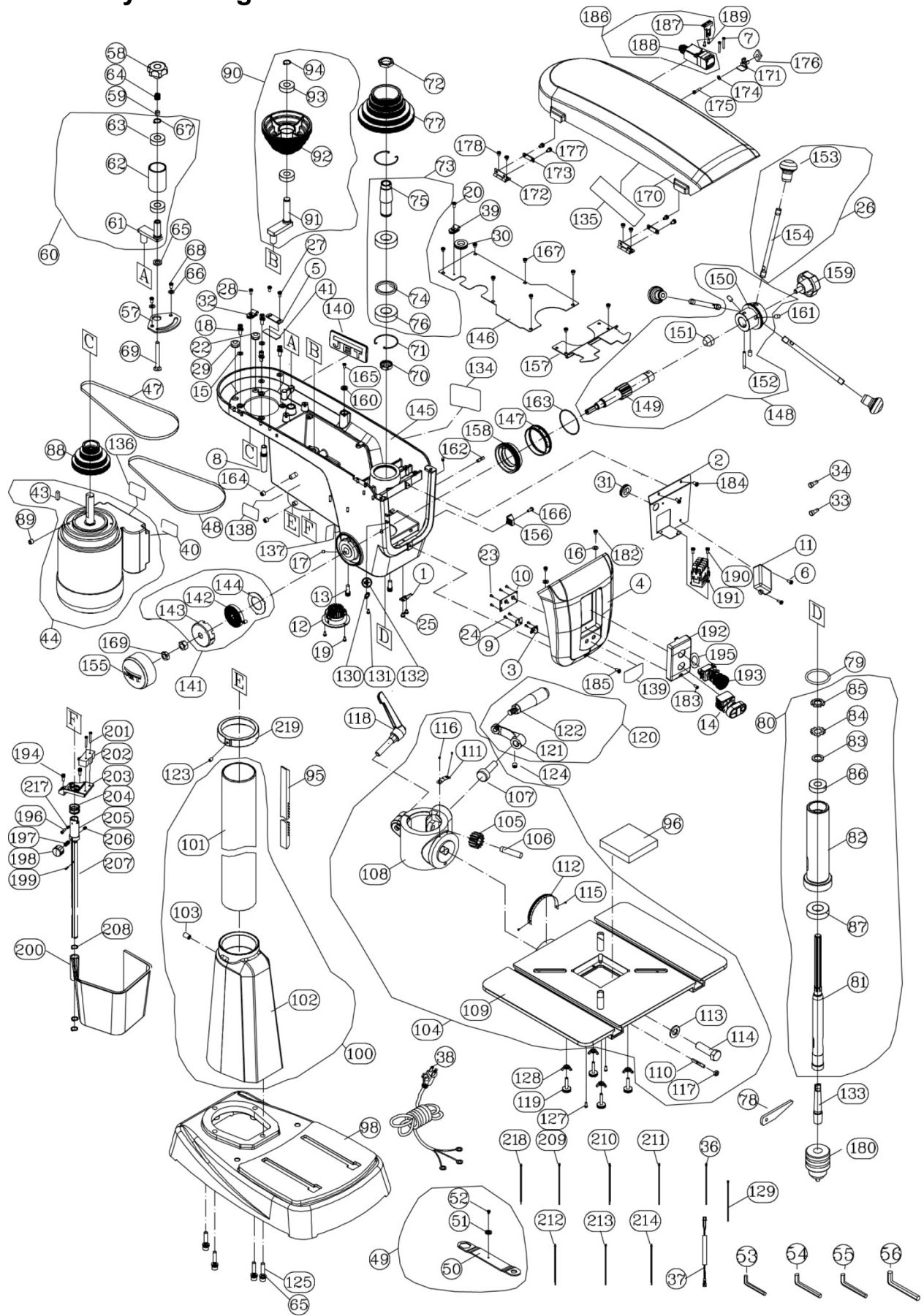
Parts List

Index No	Part No	Description	Size	Qty
116	JDP17-025	Pan Head Rivet	Dia.2.3 x 3.5	2
117	TS-1540061	Hex Nut	M8	1
118	JDP17-011	Lock Handle		1
119	JDP17-118	Special Bolt		4
120	JDP17-202	Crank Arm Handle Assembly (#121 and #122)		1
121	JDP17-012	Crank Arm Shaft		1
122	JDP17-013	Crank Arm Handle Grip		1
123	TS-1523031	Socket Set Screw	M6 x 10	1
124	TS-1524011	Socket Set Screw	M8 x 8	1
125	TS-1504101	Socket HD Cap Screw	M8 x 50	4
127	JDP17-090	Pan HD Tapping Screw	M4 x 20	2
128	JDP17-117	Wing Nut	M6	4
129	JDP17-129R	Cable Tie	A-120S	1
130	F002097	External Tooth Lock Washer	M5	2
131	5712561	Pan Head Machine Screw	M5 x 8	2
132	JDP17-132R	Grounding Label		1
133	JDP17-133E	Arbor	MT2/B16	1
134	JDP17-134E	Warning Label		1
135	JDP17-135E	Speed Chart		1
136	JDP17-136E	Motor Label	230V, 1Ph	1
137	JDP17-137E	Laser Caution Label		1
138	JDP17-138E	I.D. Label		1
139	JDP17-121	Control Label		1
140	JET-92	JET Logo	92 x 38 mm	1
141	JDP17-141RB	Coil Spring Assembly (#142 thru #144)		1
142	JDP17-142RB	Coil Spring (serial # 17080146 and higher)		1
143	JDP17-143RB	Spring Housing (serial # 17080146 and higher)		1
144	JDP17-144R	Spring Retainer		1
145	JDP17-145EB	Headstock (serial # 16090001 and higher)		1
146	JDP17-146R	Plate Cover		1
147	JDP17-147E	Scale Ring	Metric	1
148	JDP17-148R	Pinion Shaft Assembly (#149 thru #152)		1
149	JDP17-149R	Pinion Shaft		1
150	JDP17-150R	Hub		1
151	JDP17-151R	Taper Axis		1
152	JDP17-065	Pin	6-45	1
153	JDP17-070	Grip		3
154	JDP17-069	Handle		3
155	JDP17-155R	Spring Housing Cap		1
156	JDP17-045	Depth Stop Indicator		1
157	JDP17-157R	Front Cover		1
158	JDP17-158R	Ring		1
159	JDP17-072	Lock Handle		1
160	JDP17-062	Magnet		1
161	JDP17-161R	Pin		3
162	JDP17-094	Stop Screw		1
163	JDP17-163R	O-Ring	60 x 1.5 NBR	1
164	F010431	Socket Set Screw	M10 x 8	2
165	6286927	CR RE Count HD Screw	M4 x 10	1
166	TS-1533042	Pan Head Machine Screw	M5 x 12	1
167	TS-1533032	Pan Head Machine Screw	M5 x 10	8
169	JDP17-169R	Hex Nut	1/2-20 x T6.5	2
170	JDP17-170R	Pulley Cover		1
171	JDP17-051	Plate		1
172	JDP17-055	Hinge		2
173	JDP17-056	Pressing Plate		2
174	TS-1550021	Flat Washer	M4	1

Parts List

Index No	Part No	Description	Size	Qty
175	TS-1501061	Socket HD Cap Screw	M4 x 20	1
176	JDP17-176R	Follower Plate		1
177	TS-1533032	Pan Head Machine Screw	M5 x 10	4
178	JDP20-111	Pan Head Machine Screw	M5 x 6	4
180	JDP17-180E	Keyless Chuck	B16-16L	1
182	TS-1533032	Pan Head Machine Screw	M5 x 10	2
183	JDP17-090	Pan HD Tapping Screw	M4 x 16	1
184	JDP20-111	Pan Head Machine Screw	M5 x 6	2
185	TS-1533032	Pan Head Machine Screw	M5 x 10	1
186	JDP17-186E	Limit Switch Assembly (#187 thru #188)	QKS8-F1-K1	1
187	JDP17-187E	Switch Key		1
188	JDP17-188E	Switch Assembly		1
189	JDP17-189E	Pan HD Tapping Screw	M4 x 16	2
190	JDP17-190E	Pan HD Tapping Screw	M4 x 12	2
191	JDP17-191E	Magnetic Switch Assembly	JD3-2-F2-V3	1
192	JDP17-192E	Switch Mounting		1
193	JDP17-193E	Emergency Switch Assembly	HY57B-4-F4	1
194	TS-1533052	Pan Head Machine Screw	M5 x 16	2
195	JDP17-195E	Caution Label		1
196	TS-1532042	Pan HD Screw	M4 x 12	1
197	JDP17-197E	Compression Spring		1
198	JDP17-198E	Knob		1
199	JDP17-199E	Spring Pin	Dia. 3 x 10	1
200	JDP17-200E	Chuck Guard		1
201	TS-2284302	Pan Head Machine Screw	M4 x 30	1
202	JDP17-202E	Micro Switch Assembly		1
203	JDP17-203E	Plunger Housing		1
204	JDP17-204E	Compression Spring		1
205	JDP17-205E	Pivot Support		1
206	TS-2276081	Socket Set Screw	M6 x 8	1
207	JDP17-207E	Pivot Shaft		1
208	JDP17-067R	C-Ring	A-15	3
209	JDP17-209E	Lead Wire Assembly	L100 (Black)	2
210	JDP17-210E	Lead Wire Assembly	L150 (Black)	2
211	JDP17-211E	Lead Wire Assembly	L350 (Black)	1
212	JDP17-212E	Lead Wire Assembly	L350 (Black)	1
213	JDP17-213E	Lead Wire Assembly	L150 (Brown)	1
214	JDP17-214E	Lead Wire Assembly	L150 (Blue)	1
217	JDP17-217E	Collar		1
218	JDP17-218E	Lead Wire Assembly	L100 (Black)	1
219	JDP17-219E	Rack Collar		1

Assembly Drawing for 716300M



Parts and Assembly for 716300T

Parts List

Index No	Part No	Description	Size	Qty
1	JDP17-001R	Anchor Plate		1
2	JDP17-002E	Plate		1
3	JDP17-102	Indicator Light		1
4	JDP17-004R	Front Housing		1
5	JDP17-108	Plate		1
6	131803108	Pan Head Tapping Screw	M3 x 8	2
7	TS-2284302	Pan Head Machine Screw	M4 x 30	2
8	JDP17-008E	Cable Protective Sleeve		1
9	JDP17-101E	LED Circuit Board		1
10	JDP17-107	MCU Circuit Board		1
11	JDP17-011E	Controller Assembly		1
12	JDP17-012R	LED Lamp Assembly	DC 12V, 1W x 3	1
13	JDP17-096B	Laser Assembly (serial # 16060001 and higher)		2
14	JDP17-014E	Switch Assembly		1
15	TS-1550041	Flat Washer	M6	4
16	TS-1550031	Flat Washer	M5	2
17	TS-1523011	Socket Set Screw	M6 x 6	2
18	TS-1503061	Socket HD Cap Screw	M6 x 25	4
19	F000065	Truss Head Machine Screw	M5 x 8	2
20	TS-1533042	Pan Head Machine Screw	M5 x 12	1
22	JDP17-058	Strain Relief	Dia. 10mm	1
23	131803108	Pan Head Tapping Screw	M3 x 8	4
24	131803108	Pan Head Tapping Screw	M3 x 8	4
25	JDP20-111	Pan Head Machine Screw	M5 x 6	2
26	JDP17-208	Handle Assembly (#153 and #154)		3
27	TS-1533042	Pan Head Machine Screw	M5 x 12	2
28	TS-1533032	Pan Head Machine Screw	M5 x 10	1
29	JDP17-029E	Strain Relief	Dia. 15.5mm	1
30	JDP17-030E	Strain Relief	Dia. 27mm	1
31	JDP17-030E	Strain Relief	Dia. 27mm	1
32	JDP17-032E	Cable Clamp	12.5mm	1
33	JDP17-033R	Closed End Connector	16~14AWG UL CE2	2
34	JDP17-034R	Terminal	12~10AWG UL CE5	2
36	JDP17-036R	Extension Cord for Motor with Transformer		1
37	JDP17-037R	Extension Cord for Laser Guide		1
38	JDP17-038AE	Plug	KEDU P551	1
39	JDP17-032E	Cable Clamp	12.5mm	1
40	JDP17-040E	Warning Label		1
41	JDP17-041R	Heat Shrinking Sleeve		1
43	JDP17-043R	Parallel Key	6 x 6 x 30	1
44	JDP17-044AE	Motor Assembly	400V, 3Ph	1
	JDP17-044EMF	Motor Fan (not shown)		1
	JDP17-044EJB	Junction Box (not shown)		1
	JDP17-044EBC	Junction Box Cover (not shown)		1
47	JDP17-036	Poly V-Belt	4PJ690 / 270J	1
48	JDP17-036	Poly V-Belt	4PJ690 / 270J	1
49	JDP17-212	Table Wrench Assembly (#50 thru #52)		1
50	JDP17-126	Wrench		1
51	JDP17-062	Magnet		1
52	TS-2171012	Pan HD Slotted Screw	M4 x 6	1
53	TS-152704	Hex Wrench	3mm	1
54	TS-152705	Hex Wrench	4mm	1
55	TS-152706	Hex Wrench	5mm	1
56	TS-152707	Hex Wrench	6mm	1
57	JDP17-042	Tension Roller Base		1

Parts List

Index No	Part No	Description	Size	Qty
58	JDP17-037	Handle		1
59	JDP17-041	Sleeve		1
60	JDP17-205	Tension Roller Assembly (#61 thru #63 and #67)		1
61	JDP17-040	Shaft		1
62	JDP17-039	Belt Tensioner		1
63	BB-6202ZZ	Ball Bearing	6202ZZ	2
64	JDP17-034	Compression Spring		1
65	TS-1550061	Flat Washer	M8	5
66	TS-1550031	Flat Washer	M5	2
67	JDP17-067R	C-Ring	A-15	1
68	TS-1533042	Pan Head Machine Screw	M5 x 12	2
69	JDP17-069R	Square Head Bolt	M8 x 75	1
70	JDP17-070R	Plastic Sleeve		1
71	JDP17-077	Retaining Ring	R52	2
72	JDP17-072R	Pulley Set Nut		1
73	JDP17-073R	Drive Sleeve Assembly (#74 thru #76)		1
74	JDP17-074R	Spacer		1
75	JDP17-075R	Drive Sleeve		1
76	BB-6205ZZ	Ball Bearing	6205ZZ	2
77	JDP17-076	Spindle Pulley		1
78	JDP17-109	Drift Key		3
79	JDP17-105	Rubber Washer		1
80	JDP17-080R	Quill Assembly (#81 thru #87)		1
81	JDP17-081R	Spindle		1
82	JDP17-082R	Quill		1
83	JDP17-083R	Washer		1
84	JDP17-084R	Locking Nut		1
85	JDP17-085R	Spindle Nut		1
86	BB-6203ZZ	Ball Bearing	6203ZZ	1
87	BB-6205ZZ	Ball Bearing	6205ZZ	1
88	JDP17-088R	Motor Pulley		1
89	TS-1524011	Socket Set Screw	M8 x 8	1
90	JDP17-206	Center Pulley Assembly (#91 thru #94)		1
91	JDP17-047	Center Pulley Shaft		1
92	JDP17-048	Center Pulley		1
93	BB-6202ZZ	Ball Bearing	6202ZZ	2
94	JDP17-067R	C-Ring	A-15	1
95	JDP17-008	Rack		1
96	JDP17-130	Table Wood Insert		1
98	JDP17-098R	Base		1
100	JDP17-100R	Column Assembly (#101 thru #103)		1
101	JDP17-005	Column		1
102	JDP17-102R	Column Support		1
103	TS-1525031	Socket Set Screw	M10 x 16	1
104	JDP17-203R	Table Assembly (#105 thru #117)		1
105	JDP17-018	Helical Gear		1
106	JDP17-014	Gear Pin		1
107	JDP17-024	Worm Shaft		1
108	JDP17-108R	Table Support		1
109	JDP17-109R	Table		1
110	JDP17-016	Taper Pin		1
111	JDP17-021	Scale Indicator		1
112	JDP17-020	Tilt Scale		1
113	TS-155010	Flat Washer	M16	1
114	TS-0071031	Hex Cap Screw	5/8-11 x 2	1
115	JDP17-025	Pan Head Rivet	Dia.2.3 x 3.5	2
116	JDP17-025	Pan Head Rivet	Dia.2.3 x 3.5	2
117	TS-1540061	Hex Nut	M8	1

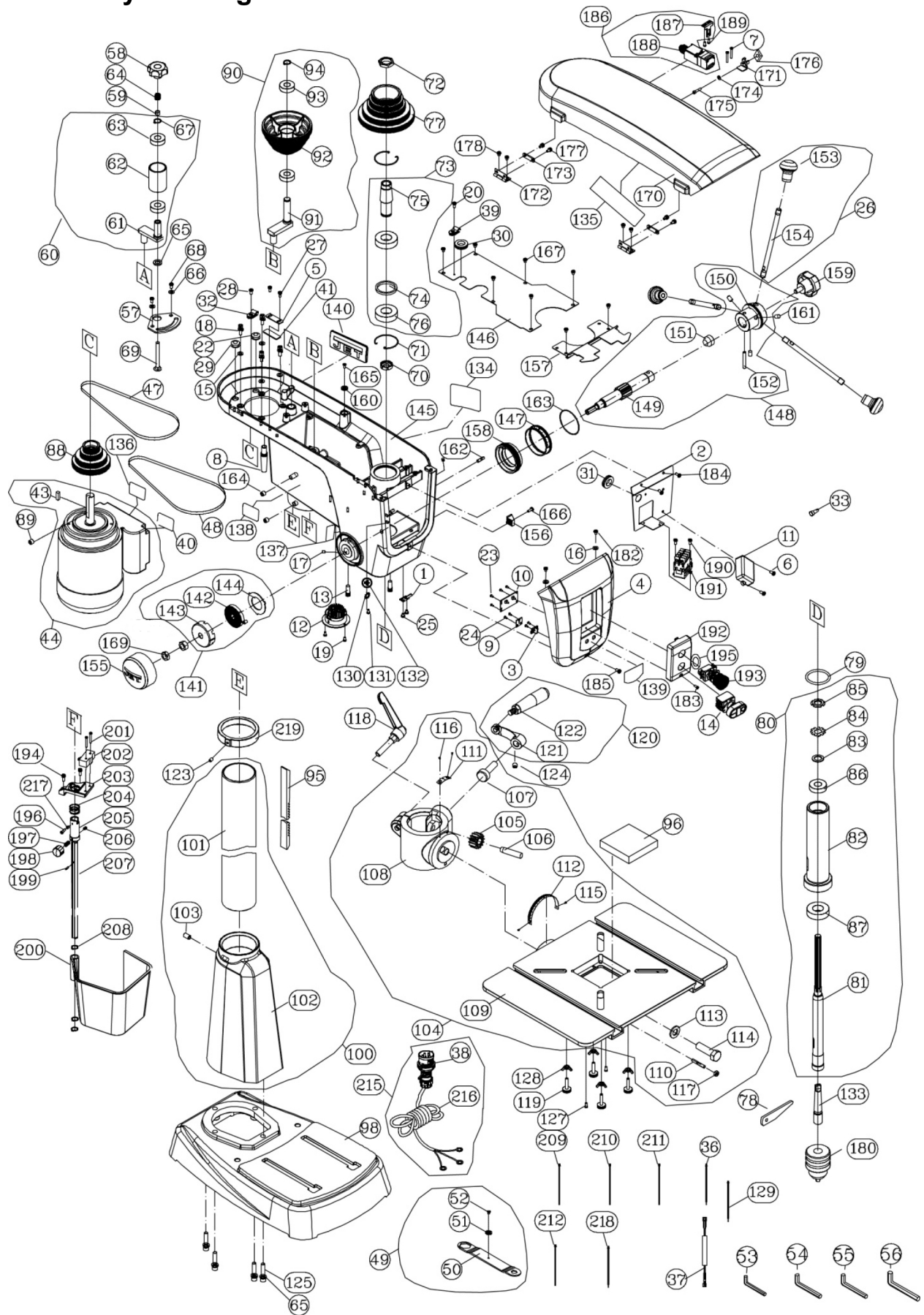
Parts List

Index No	Part No	Description	Size	Qty
118	JDP17-011	Lock Handle		1
119	JDP17-118	Special Bolt		4
120	JDP17-202	Crank Arm Handle Assembly (#121 and #122)		1
121	JDP17-012	Crank Arm Shaft		1
122	JDP17-013	Crank Arm Handle Grip		1
123	TS-1523031	Socket Set Screw	M6 x 10	1
124	TS-1524011	Socket Set Screw	M8 x 8	1
125	TS-1504101	Socket HD Cap Screw	M8 x 50	4
127	JDP17-090	Pan HD Tapping Screw	M4 x 20	2
128	JDP17-117	Wing Nut	M6	4
129	JDP17-129R	Cable Tie	A-120S	1
130	F002097	External Tooth Lock Washer	M5	2
131	5712561	Pan Head Machine Screw	M5 x 8	2
132	JDP17-132R	Grounding Label		1
133	JDP17-133E	Arbor	MT2/B16	1
134	JDP17-134E	Warning Label		1
135	JDP17-135E	Speed Chart		1
136	JDP17-136AE	Motor Label	400V, 3Ph	1
137	JDP17-137E	Laser Caution Label		1
138	JDP17-138AE	I.D. Label		1
139	JDP17-121	Control Label		1
140	JET-92	JET Logo	92 x 38 mm	1
141	JDP17-141RB	Coil Spring Assembly (#142 thru #144)		1
142	JDP17-142RB	Coil Spring (serial # 17080146 and higher)		1
143	JDP17-143RB	Spring Housing (serial # 17080146 and higher)		1
144	JDP17-144R	Spring Retainer		1
145	JDP17-145EB	Headstock (serial # 16060001 and higher)		1
146	JDP17-146R	Plate Cover		1
147	JDP17-147E	Scale Ring	Metric	1
148	JDP17-148R	Pinion Shaft Assembly (#149 thru #152)		1
149	JDP17-149R	Pinion Shaft		1
150	JDP17-150R	Hub		1
151	JDP17-151R	Taper Axis		1
152	JDP17-065	Pin	6-45	1
153	JDP17-070	Grip		3
154	JDP17-069	Handle		3
155	JDP17-155R	Spring Housing Cap		1
156	JDP17-045	Depth Stop Indicator		1
157	JDP17-157R	Front Cover		1
158	JDP17-158R	Ring		1
159	JDP17-072	Lock Handle		1
160	JDP17-062	Magnet		1
161	JDP17-161R	Pin		3
162	JDP17-094	Stop Screw		1
163	JDP17-163R	O-Ring	60 x 1.5 NBR	1
164	F010431	Socket Set Screw	M10 x 8	2
165	6286927	CR RE Count HD Screw	M4 x 10	1
166	TS-1533042	Pan Head Machine Screw	M4 x 10	1
167	TS-1533032	Pan Head Machine Screw	M5 x 10	8
169	JDP17-169R	Hex Nut	1/2-20 x T6.5	2
170	JDP17-170R	Pulley Cover		1
171	JDP17-051	Plate		1
172	JDP17-055	Hinge		2
173	JDP17-056	Pressing Plate		2
174	TS-1550021	Flat Washer	M4	1
175	TS-1501061	Socket HD Cap Screw	M4 x 20	1
176	JDP17-176R	Follower Plate		1
177	TS-1533032	Pan Head Machine Screw	M5 x 10	4

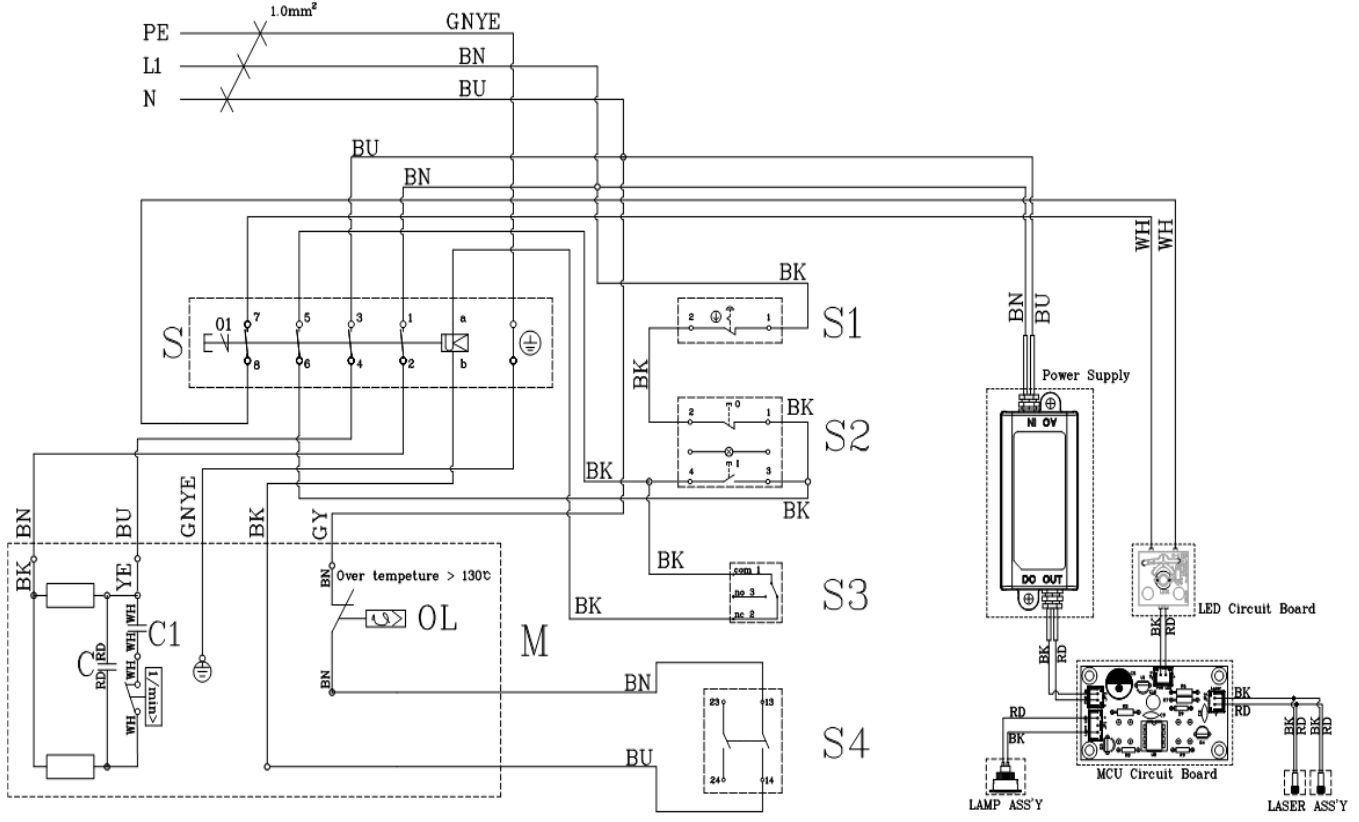
Parts List

Index No	Part No	Description	Size	Qty
178	JDP20-111	Pan Head Machine Screw	M5 x 6	4
180	JDP17-180E	Keyless Chuck	B16-16L	1
182	TS-1533032	Pan Head Machine Screw	M5 x 10	2
183	JDP17-090	Pan HD Tapping Screw	M4 x 16	1
184	JDP20-111	Pan Head Machine Screw	M5 x 6	2
185	TS-1533032	Pan Head Machine Screw	M5 x 10	1
186	JDP17-186E	Limit Switch Assembly (#187 thru #188)	QKS8-F1-K1	1
187	JDP17-187E	Switch Key		1
188	JDP17-188E	Switch Assembly		1
189	JDP17-189E	Pan HD Tapping Screw	M4 x 16	2
190	JDP17-190E	Pan HD Tapping Screw	M4 x 12	2
191	JDP17-191E	Magnetic Switch Assembly	JD3-2-F2-V3	1
192	JDP17-192E	Switch Mounting		1
193	JDP17-193E	Emergency Switch Assembly	HY57B-4-F4	1
194	TS-1533052	Pan Head Machine Screw	M5 x 16	2
195	JDP17-195E	Caution Label		1
196	TS-1532042	Pan HD Screw	M4 x 12	1
197	JDP17-197E	Compression Spring		1
198	JDP17-198E	Knob		1
199	JDP17-199E	Spring Pin	Dia. 3 x 10	1
200	JDP17-200E	Chuck Guard		1
201	TS-2284302	Pan Head Machine Screw	M4 x 30	1
202	JDP17-202E	Micro Switch Assembly		1
203	JDP17-203E	Plunger Housing		1
204	JDP17-204E	Compression Spring		1
205	JDP17-205E	Pivot Support		1
206	TS-2276081	Socket Set Screw	M6 x 8	1
207	JDP17-207E	Pivot Shaft		1
208	JDP17-067R	C-Ring	A-15	3
209	JDP17-209E	Lead Wire Assembly	L100 (Black)	2
210	JDP17-210E	Lead Wire Assembly	L150 (Black)	2
211	JDP17-211E	Lead Wire Assembly	L350 (Black)	1
212	JDP17-212E	Lead Wire Assembly	L350 (Black)	1
213	JDP17-213E	Lead Wire Assembly	L150 (Brown)	1
214	JDP17-214E	Lead Wire Assembly	L150 (Blue)	1
215	JDP17-215AE	Power Cord Assembly (#38 and #216)		1
216	JDP17-216AE	Power Cord	VDE 5G x 1.0mm ²	1
217	JDP17-217E	Collar		1
218	JDP17-218E	Lead Wire Assembly	L100 (Black)	1
219	JDP17-219E	Rack Collar		1

Assembly Drawing for 716300T



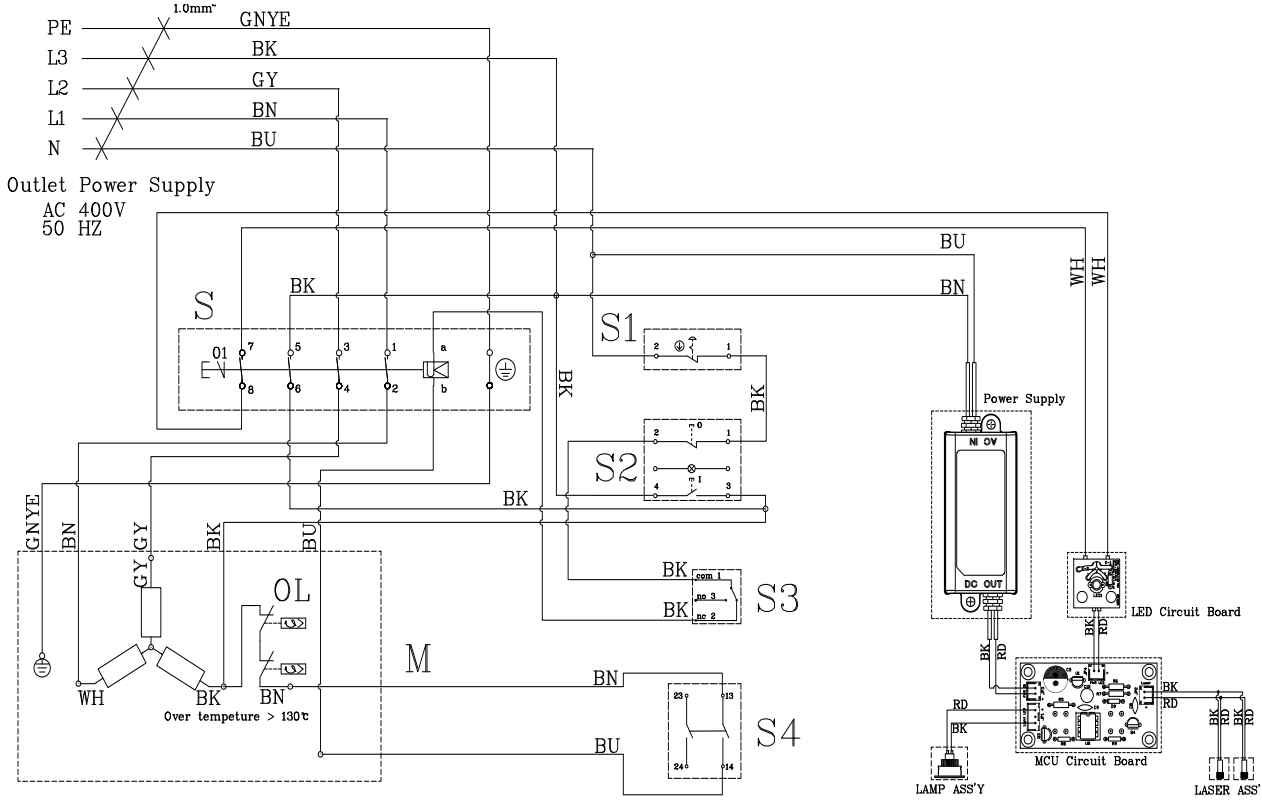
JDP-17 716300M.....~230V, 1L/N/PE, 50Hz



	colour of strands	Litzenfarben	couleur des cordons
BK	black	schwarz	noir
WH	white	weiß	blanc
BU	blue	blau	bleu
YE	yellow	gelb	jaune
RD	red	rot	rouge
BN	brown	braun	brun
GY	grey	grau	gris
GNYE	green-yellow	grün-gelb	vert-jaune
OG	orange	orange	orange
VT	violet	violett	violet

	meaning of symbol	Bedeutung der Zeichen	interprétation
M	motor	Motor	moteur
S	switch	Schalter	interrupteur
C	condenser	Kondensator	condensateur
E	electronic unit	Elektronik Einheit	unité électronique
F	fuse	Sicherung	fusible
RS	reversing switch	Drehrichtungsschalter	commu. droite/gauche
CS	centrifugal switch	Fliehkraftschalter	déclencheur centrifuge
OL	overload cut-off	Überlastschuttschalter	déclencheur surcharge
LS	limit switch	Positionsschalter	micro

JDP-17 716300T.....~400V, 3L/N/PE, 50Hz



	colour of strands	Litzenfarben	couleur des cordons
BK	black	schwarz	noir
WH	white	weiß	blanc
BU	blue	blau	bleu
YE	yellow	gelb	jaune
RD	red	rot	rouge
BN	brown	braun	brun
GY	grey	grau	gris
GNYE	green-yellow	grün-gelb	vert-jaune
OG	orange	orange	orange
VT	violet	violett	violet

	meaning of symbol	Bedeutung der Zeichen	interprétation
M	motor	Motor	moteur
S	switch	Schalter	interrupteur
C	condenser	Kondensator	condensateur
E	electronic unit	Elektronik Einheit	unité électronique
F	fuse	Sicherung	fusible
RS	reversing switch	Drehrichtungsschalter	commu. droite/gauche
CS	centrifugal switch	Fliehkraftschalter	déclencheur centrifuge
OL	overload cut-off	Überlastschaltzschalter	déclencheur surcharge
LS	limit switch	Positionsschaltzschalter	micro

