

**GH-2440 ZHD DRO RFS-
GH-24120 ZHD DRO RFS**

METAL LATHE

**50000839T-50000842T
400/50/3**

PARTS LIST



JPW Tool Group Hong Kong Limited

98 Granville Road, Tsimshatsui East, Kowloon, Hong Kong, PRC

www.jettools.com

Импортер в РФ: ООО «ИТА Технолджи»

105082, Москва, Переведеновский пер., д. 17

www.jettools.ru

Made in PRC / Сделано в КНР

Table of Contents

Table of Contents	1
Bed Assembly I.....	2-4
Bed Assembly II (for GH-2440ZHD)	5-6
Bed Assembly II (for GH-2480ZHD) (for GH-24120ZHD)	7-8
Bed Assembly III	9-10
Headstock Assembly I.....	11-13
Headstock Assembly II.....	14-16
Headstock Assembly III.....	17-19
Headstock Assembly IV	20-22
Headstock Assembly V	23-24
Tailstock Assembly I.....	25-26
Tailstock Assembly II.....	27-28
Tool Post Assembly I.....	29-30
Tool Post Assembly II.....	31-32
Tool Post Assembly III.....	33-35
Quick Change Gear Box Assembly I	36-38
Quick Change Gear Box Assembly II	39-41
Quick Change Gear Box Assembly III	42-43
Apron Assembly I	44-46
Apron Assembly II	47-49
Apron Assembly III	50-52
Apron Assembly IV.....	53-55
Change Gear Assembly (Metric).....	56-57
Big Steady Rest Assembly	58-59
Follow Rest Assembly	60-61
Chuck Guard Assembly.....	62
Parts List for Lead Screw Protection Device.....	63
Other parts.....	64
Electric Cabinet	65-67

Bed Assembly I

Bed Assembly I

Index No.	Part No.	Description	Size	Qty.
2	GB70-M20x60	Hex Socket Cap Screw	M20x60	4
3	GB70-M12x60	Hex Socket Cap Screw	M12x60	1
4	CW6163A01103	Saddle		1
5	GB118-20x90	Inner Thread Taper Pin (serial#2207ZHD0051 and lower)	20x90	2
	GB118-20x45	Inner Thread Taper Pin (serial#2304ZHD0062 and high)	20x45	2
5a	GB78-M24x30	Screw (serial#2304ZHD0062 and high)	M24x30	2
6	GB70-M16x40	Hex Socket Cap Screw	M16x40	1
7	C628001704	Positioning Pin		1
8	350Y-8B	Valve Body Assembly		1
9	CW6263A01101/1000	Bed(For GH-2440ZHD)		1
	CW6263A01101/2000	Bed(For GH-2480ZHD)		1
	CW6263A01101/3000	Bed(For GH-24120ZHD)		1
10	GB818-M6x16	Cross Pan Head Screw	M6x16	7
11	CW6163A 01721	Cover		4
12	C628001709	Pipe Tie-in		1
13	C628001710	Pipe Tie-in		1
14	CB-B10F	Gear Pump		1
14a	M24×1.5-M24×1.5	Fuel Injection Pipe	M24×1.5-M24×1.5-1.5m	1
15	GB65-M6x15	Slotted Cap Screw	M6x15	16
16	C628001706	Oli Pump Connecting Flange		1
17	GB894.1-25	Circlip For Shaft	25	2
18	61905-25x42x9	Deep Groove Ball Bearing	25x42x9	2
19	C628001707	Spacer		1
20	C628001705	T Type Nut		4
21	GB70-M10x40	Hex Socket Cap Screw	M10x40	4
22	C628001107	Pump Support		1
23	C628001111	Small Pulley		1
24	A-889	V-belt		1
25	CW6163A01107	Support		1
26	GB70-M10x60	Hex Socket Cap Screw	M10x60	4
27	CW6163A01712	Shaft		1
28	GB1096-6x25	Key	6x25	1
29	GB894.1-50	Circlip For Shaft	50	1
30	CW6163A01711	Gear		1
31	GB78-M6x10	Hex Socket Set Screw	M6x10	1
32	GB894.1-50	Circlip For Shaft	50	1
33	GB1096-6x25	Key	6x25	1
34	CW616301710	Positioning Sleeve		1
35	GB308-10	Steel ball	10	2
36	GB2089-1x9x30	Spring	1x9x30	2
37	C628001739	Guiding Rod		2
38	C628001741	Connecting Sleeve		1
39	GB119-A10x75	Pin	A10x75	1
40	GB78-M6x8	Hex Socket Set Screw	M6x8	1
41	GB119-A10x25	Pin	A10x25	1
42	C628001740	Lever Support		1
43	GB117-5x35	Taper Pin	5x35	1
44	C628001742	Operation Lever		1
45	GB4141.12-M12x40	Lever Cover	M12x40	1
46	CW6163A01704	Gear		2
47	CW6163A01705	Washer		1
48	CW6163A01706	Sleeve		1

49	GB117-5x30	Taper Pin	5x30	1
50	GB117-6x30	Taper Pin	6x30	1
51	CW6163A01709	Forward-reverse Rod(For GH-2440ZHD)		1
	C628001718B	Forward-reverse Rod(For GH-2480ZHD)		1
	C628001718	Forward-reverse Rod(For GH-24120ZHD)		1
52	C628001725	Stopper		1
53	GB118-10x60	Inner Thread Taper Pin	10x60	2
54	GB70-M12x30	Hex Socket Cap Screw	M12x30	2
55	CW6163A01708	Feed Rod(For GH-2440ZHD)		1
	C628001717B	Feed Rod(For GH-2480ZHD)		1
	C628001717	Feed Rod(For GH-24120ZHD)		1
56	C628001722	Criclip		1
57	61807-35x47x7	Deep Groove Ball Bearing	35x47x7	2
58	GB894.1-35	Circlip For Shaft	35	1
59	C628001724	Stopper		1
60	C628001106	Bracket		1
61	C628001723	Stopper		1
62	GB894.1-45	Circlip For Shaft	45	1
63	61809-45x58x7	Deep Groove Ball Bearing	45x58x7	2
64	C628001721	Circlip		1
65	GB5781-M20x60	Hex Bolt	M20x60	8
66	GB70 -M10x50	Hex Socket Cap Screw	M10x50	20
67	GB118-10x65	Inner Thread Taper Pin	10x65	12
68	CW6163A01707	Leading Screw(For GH-2440ZHD)		1
	C628001716B	Leading Screw(For GH-2480ZHD)		1
	C628001716	Leading Screw(For GH-24120ZHD)		1
69	C628001701	Rack(For GH-2440ZHD)		1
	C628001701	Rack(For GH-2480ZHD)		3
	C628001701	Rack(For GH-24120ZHD)		4
69a	CW6163A01702/1000	Rack(For GH-2440ZHD)		1
	CW6163A01702/2000	Rack(For GH-2480ZHD)		1
70	CW6163A01701	Rack(For GH-2440ZHD)		1
	CW6163A01701	Rack(For GH-2480ZHD)		1
	CW6163A01701	Rack(For GH-24120ZHD)		2
71	CW6280A01701	Cover		1

Bed Assembly II (for GH-2440ZHD)

Bed Assembly II (for GH-2440ZHD)

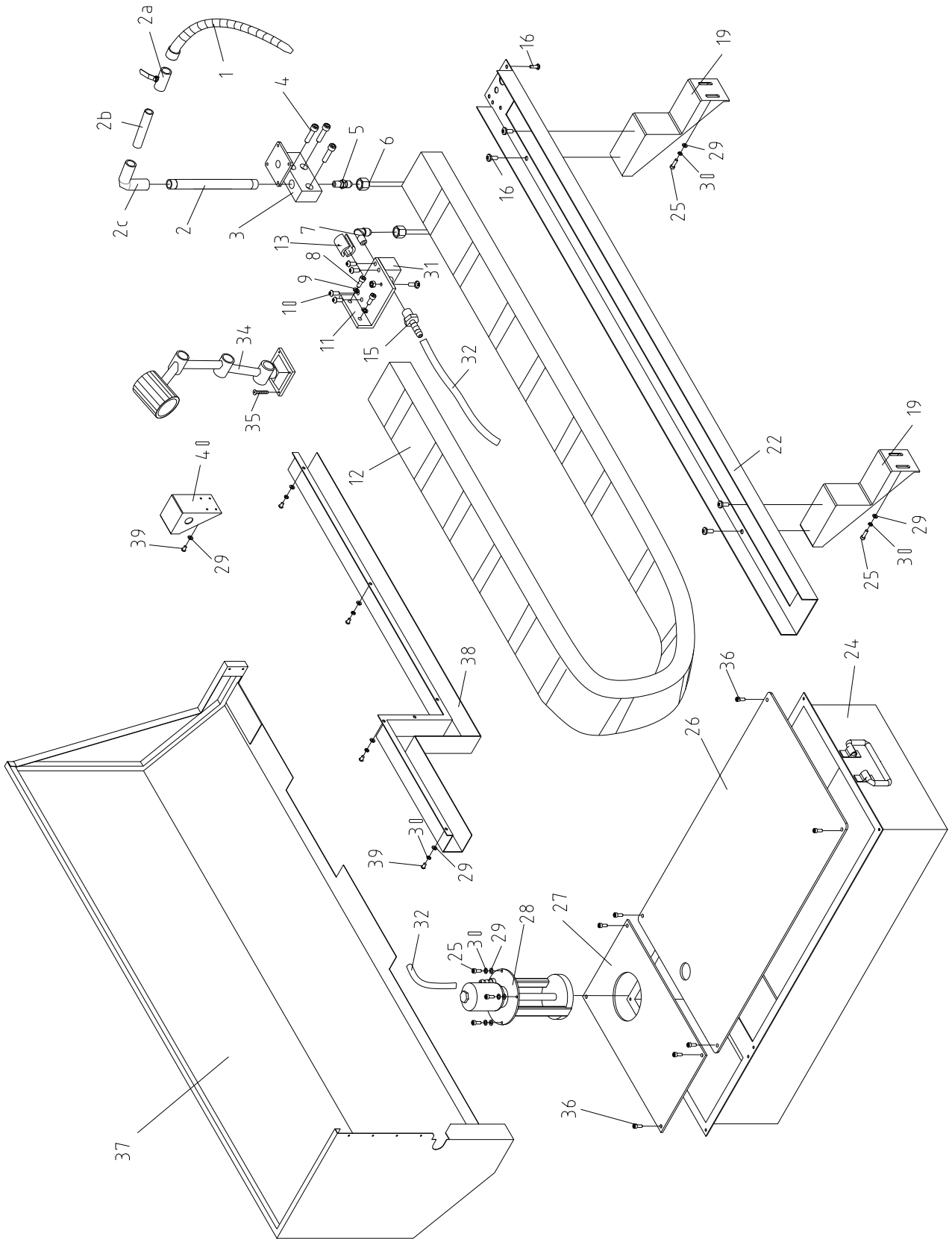
Index No.	Part No.	Description	Size	Qty.
2	CW6163A20200821-001	Oil Plate		1
3	CW6163A01737	Bolt		4
4	CW6163A01108	Motor Botton Plate		1
5	GB5782-M16x90	Hex Screw	M16x90	4
6	GB41-M16	Hex Nut	M16	4
7	GB97.2-16	Washer	16	4
8	Y160M-4-B3	Motor	11KW	1
9	GB109612x40	Key	12x40	1
10	C628001104	Pulley		1
11	GB78-M12x25	Hex Socket Set Screw	M12x25	1
12	GB818-M6x16	Cross Pan Head Screw	M6x16	24
13	CW6163A01716	Cover		1
14	CW6163A01736	Motor Cover		4
15	GB70-M8x16	Hex Socket Cap Screw	M8x16	4
16	CW6163A01104	Front Bed Stand		1
17	CW6163A01720	Cover		1
18	CW6163A01717	Cover		1
20	CW6163A01106	Back Bed Stand		1
21	CW6163A01718	Cover		1
22	GB818-M4x10	Cross Pan Head Screw	M4x10	8
23	CW6263A01703A	Oil Tank Cover		1
24	C628001760	Oil Filter Support		1
25	C628001761	Oil Filter		1
26	CW6163A01714	Hydraulic Oil Tank Assembly		1
26a	GB1161-H80	Oil Indicator (serial#2104ZHD0037 and lower)	H80	1
	GB1161-B80	Oil Indicator (serial#2105ZHD0038 and higher)	B80	1
27	G38-3A-Z1/8"	Taper Thread Oil Tap	Z1/8"	1
28	CW6163A01740/1000	Front Splash Assembly		1
29	GB70-M8x35	Hex Socket Cap Screw	M8x35	6
30	JET-165	JET LOGO		1
31	G13-1-G1 1/4	Tie-in	G1 1/4 (2m)	1
32	ID32x630 (2m)	Rubber Pipe	ID32x630 (2m)	1

Bed Assembly II (for GH-2480ZHD) (for GH-24120ZHD)

Bed Assembly II (for GH-2480ZHD) (for GH-24120ZHD)

Index No.	Part No.	Description	Size	Qty.
1	CW6163A01722A/2000	Left Oil Tray Assembly		1
2	CW6163A01723A/2000	Right Oil Tray Assembly (for GH-2480ZHD)		1
	CW6163A01723A/3000	Right Oil Tray Assembly (for GH-24120ZHD)		1
3	CW6163A01737	Bolt		4
4	CW6163A01108	Motor Botton Plate		1
5	GB5782-M16x90	Hex Screw	M16x90	4
6	GB41-M16	Hex Nut	M16	4
7	GB97.2-16	Washer	16	4
8	Y160M-4-B3	Motor	11KW	1
9	GB109612x40	Key	12x40	1
10	C628001104	Pulley		1
11	GB78-M12x25	Hex Socket Set Screw	M12x25	1
12	GB818-M6x16	Cross Pan Head Screw	M6x16	24
13	CW6163A01716	Cover		1
14	CW6163A01736	Motor Cover		4
15	GB70-M8x16	Hex Socket Cap Screw	M8x16	4
16	CW6163A01104	Front Bed Stand		1
17	CW6163A01720	Cover		1
18	CW6163A01717	Cover		1
19	CW6163A01105	Middle Bed Stand		1
20	CW6163A01106	Back Bed Stand		1
21	CW6163A01718	Cover		1
22	GB818-M4x10	Cross Pan Head Screw	M4x10	8
23	CW6263A01703A	Oil Tank Cover		1
24	C628001760	Oil Filter Support		1
25	C628001761	Oil Filter		1
26	CW6163A01714	Hydraulic Oil Tank Assembly		1
26a	GB1161-H80	Oil Indicator (serial#2104ZHD0037 and lower)	H80	1
	GB1161-B80	Oil Indicator (serial#2105ZHD0038 and higher)	B80	1
27	G38-3A-Z1/8"	Taper Thread Oil Tap	Z1/8"	1
28	CW6163A01740/2000	Front Splash Assembly (for GH-2480ZHD)		1
	CW6163A01740/3000	Front Splash Assembly (for GH-24120ZHD)		1
29	GB70-M8x35	Hex Socket Cap Screw	M8x35	8
30	JET-165	JET LOGO		1
31	G13-1-G1 1/4	Tie-in	G1 1/4 (2m)	2
32	ID32x630 (2m)	Rubber Pipe	ID32x630 (2m)	2

Bed Assembly III



Bed Assembly III

Index No.	Part No.	Description	Size	Qty.
1	G1/2"×16×700	Coolent Metal Hose	G1/2"×16×700	1
2	C628001746	Pipe		1
2a	G1/2"	Ball Valve		1
2b	CK616604706W	Pipe		1
2c	G13-1	Pipe Connection		1
3	C628001747	Lamp Support		1
4	GB70-M10×40	Hex Socket Cap Screw	M10×40	3
5	G92-1A-12-Z3/8"	Taper Thread Fitting	12-Z3/8"	1
6	Y91-1A-12	Buckle Fitting Nut	12	2
6a	12×10×230	Copper Pipe	12×10×230	1
7	G93-1A-31-12-Z3/8"	Square Fitting	12-Z3/8"	1
8	GB70-M8×20	Hex Socket Cap Screw	M8×20	10
9	GB93-8	Lock Washer	8	10
10	GB818-M6×16	Cross Pan Head Screw	M6×16	4
11	C628001750	Upper Bracket		1
12	TL75	Flexible Guard		1
13	C628001758	Press Ring		4
14	C628001757	Support		1
15	G72-1-12.5	Rubber Hose Connecting Fitting	12.5	3
16	GB818-M8×16	Cross Pan Head Screw	M8×16	4
17	G93-1A-31-18-Z1/2"	Square Fitting	18-Z1/2"	1
18	CW6163A01734	Pipe		1
19	CW6263A18713	Angle Steel		2
20	GB6170-M8	Hex Nut	M8	4
21	G13-1-G3/8"	Square Fitting	G3/8"	1
22	CW6263A20200825-001	Bracket (for GH-2440ZHD)		1
	CW6263A18712A	Bracket (for GH-2480ZHD)		1
	CW6263A18712B	Bracket (for GH-24120ZHD)		1
24	CW6163A01730	Coolant Tank (for GH-3140ZHD)		1
	CW6163A01730A	Coolant Tank (for GH-3180ZHD) (for GH-31120ZHD)		1
25	GB70-M6×16	Hex Socket Cap Screw	M6×16	4
26	CW6163A01731	Coolant Tank Cover (for GH-3140ZHD)		1
	CW6163A01731A	Coolant Tank Cover (for GH-3180ZHD) (for GH-31120ZHD)		1
27	CW6163A01732	Coolant Tank Support		1
28	ZX-CW04E	Coolant Pump	90W	1
29	GB97.2-6	Washer	6	4
30	GB93-6	Lock Washer	6	4
31	C628001749	Support		1
32	ID 1/2"	Rubber Hose	ID 1/2"	2
34	JC52B	Machine Lamp		1
	ZX-ELB	Bulb for led work light JC52B	3W,24V	1
35	GB818-M6×16	Cross Pan Head Screw	M6×16	4
36	GB818-M6×10	Cross Pan Head Screw	M6×10	8
37	CW6163A12701/1000	Splash Guard (for GH-2440ZHD)		1
	CW6163A12701/2000	Splash Guard (for GH-2480ZHD)		1
	CW6163A12701/3000	Splash Guard (for GH-24120ZHD) (serial#2207ZHD0051 and lower)		1
	CW6180A12701	Chip Baffle (for GH-24120ZHD) (serial#2304ZHD0062 and high)		1
38	CW6263A20200827-001	Cover (for GH-2440ZHD)		1
	CW6263A18716	Cover (for GH-2480ZHD) (for GH-24120ZHD)		1
39	GB70.2-M6×10	Screw	M6×10	10
40	CW6263A18711A	Support		1

Head Stock Assembly I

Head Stock Assembly I

Index No.	Part No.	Description	Size	Qty.
1	GB812-39x1.5	Round Nut	39x1.5	1
2	GB858-39	Stopping Washer	39	1
3	B-1930	V-belt		4
4	C6280-02119	Pulley		1
5	6024-120x180x28	Deep Groove Ball Bearing	120x180x28	2
6	C6280-02745	Cover		1
7	GB819-M5x10	Slotted Countersunk Screw	M5x10	4
8	GB70-M8x30	Hex Socket Cap Screw	M8x30	4
9	C6280-02118	Bearing Support for Shaft I		1
10	GB71-M8x16	Taper End Set Screw	M8x16	1
11	G38-3A-Z1/8"	Taper Thread Oil Tap	Z1/8"	4
12	6209-45x85x19	Deep Groove Ball Bearing	45x85x19	1
13	C6280-02301	Piston Valve		1
14	GB893.1-85	Circlip for Hole	85	1
15	C6280-02744	Spacer		1
16	61918-90x125x18	Deep Groove Ball Bearing	90x125x18	1
17	GB894.1-45	Circlip For Shaft	45	2
18	6009-45x75x16	Deep Groove Ball Bearing	45x75x16	2
19	GB893.1-75	Circlip for Hole	75	1
20	C6280-02740	Left Clutch Housing		1
21	GB819-M5x8	Slotted Countersunk Screw	M5x8	2
22	GB862.1-5	Lock Washer	5	2
23	C6280-02741	Liner		2
24	C6280-02742	Liner		2
25	C6140W-02746	Inner Friction Disc		14
26	C6140W-02745	Outer Friction Disc		12
27	GB70-M6x14	Hex Socket Cap Screw	M6x14	15
28	C6280-02116	Cylinder Cover		2
29	Q81-1	Cylindrical Compressed Spring	1.5x10x30	12
30	C6280-02114	Oil Cylinder		1
31	GB1096-12x35	Key	12x35	1
32	C6280-02746	Shaft I		1
33	GB119-8m6x30	Pin	8m6x30	1
34	6006-30x55x13	Deep Groove Ball Bearing	30x55x13	3
35	GB894.1-30	Circlip For Shaft	30	1
36	C6280-02736	Right Clutch Housing		1
37	GB894.1-70	Circlip For Shaft	70	2
38	6214-70x125x24	Deep Groove Ball Bearing	70x125x24	1
39	C6280-02735	Gear		1
40	C6280-02130	Spacer		1
41	C6280-02733	Gear		1
42	C6280-02731	Gear		1
43	C6280-02728	Back Shaft I		1
44	6208-40x80x18	Deep Groove Ball Bearing	40x80x18	3
45	GB894.1-40	Circlip For Shaft	40	2
46	C6280-02726	Shaft I Middle Bearing Support		1
47	C6280-02725	Cover		1
48	C6280-02720	Pushing Rod		1
49	C6280-02719	Pushing Rod		1
50	C6280-02106	Stopper		1

51	GB77-M16×70	Hex Socket Set Screw	M16×70	1
52	GB6172-M16	Hex Thin Nut	M16	1
53	C6280-02120	Stopper		1
54	6307-35×80×21	Deep Groove Ball Bearing	35×80×21	1
55	C6280-02121	Spacer		1
56	C6280-02747	Gear		1
57	C6280-02749	Gear		1
58	C6280-02738	Gear		1
59	C6280-02112	Spacer		1
60	C6280-02737	Gear		1
61	C6280-02748	Shaft II		1
62	C6280-02729	Gear		1
63	GB1096-12×40	Key	12×40	1
64	C6280-02732	Gear		1
65	C6280-02730	Gear		1
66	GB894.1-65	Circlip For Shaft	65	1
67	C6280-02105	Stopper		1
68	GB73-M10×12	Slotted Set Screw	M10×12	1
69	C6280-02743	Shaft II _b		1
70	GB893.1-55	Circlip for Hole	55	1
71	C6280-02739	Gear		1
72	C6280-02115	Spacer		1
73	G92-3A-31-10(f)-Z1/4"	Taper Thread Fitting	10(f)-Z1/4"	2
74	M16×1.5-M16×1.5	Oil Pipe	M16×1.5-M16×1.5-1.5m	2
75	CK6150B02105	Spacer		1

Head Stock Assembly II

Head Stock Assembly II

Index No.	Part No.	Description	Size	Qty.
1	GB6172-M20	Hex Thin Nut	M20	2
2	Q81-1-5x32x60	Cylindrical Compressed Spring	5x32x60	1
3	GB117-8x40	Taper Pin	8x40	2
4	GB70-M8x25	Hex Socket Cap Screw	M8x25	4
5	C6280-02752	Brake Base		1
6	GB3452.1-20x3.55	O Ring	20x3.55	1
7	GB13871-B-20x35x7	Oil Seal	B-20x35x7	1
8	C6280-02755	Liner		1
9	GB819-M6x12	Slotted Countersunk Screw	M6x12	3
10	GB894.1-20	Circlip For Shaft	20	1
11	C6280-02122	Spacer		1
12	C6280-02756	Piston Rod		1
13	C6280-02754	Outer Friction Disc		1
14	C6280-02501	Inner Friction Disc		2
15	GB869-4x16	Countersunk Rivet	4x16	6
16	C6280-02753	Inner Disc Base Plate		1
17	C6280-02757	Liner		1
18	G51-2A-115x3.1	O Ring	115x3.1	1
19	C6280-02758	Base		1
20	GB3452.1-122x3.55	O Ring	122x3.55	1
21	GB894.1-45	Circlip For Shaft	45	4
22	GB893.1-85	Circlip for Hole	85	2
23	6209-45x85x19	Deep Groove Ball Bearing	45x85x19	2
24	GB894.1-70	Circlip For Shaft	70	1
25	C6280-02759	Gear		1
26	C6280-02760	Gear		1
27	C6280-02761	Gear		1
28	GB1096-12x55	Key	12x55	1
29	C6280-02762	Shaft III		1
30	6309-45x100x25	Deep Groove Ball Bearing	45x100x25	3
31	C6280-02763	Gear		1
32	C6280-02764	Double Gear		1
33	C6280-02765	Inner and Outer Gear		1
34	GB1096-8x25	Key	8x25	1
35	C6280-02766	Gear		1
36	GB73-M10x12	Slotted Set Screw	M10x12	2
37	6208-40x80x18	Deep Groove Ball Bearing	40x80x18	3
38	GB893.1-80	Circlip for Hole	80	1
39	C6280-02107	Spacer		1
40	6308	Deep Groove Ball Bearing	40x90x23	1
41	C6280-02722	Spacer		1
42	C6280-02721	Spacer		1
43	C6280-02718	Gear		1
44	GB894.1-60	Circlip For Shaft	60	1
45	C6280-02717	Shaft V		1
46	C6280-02714	Bevel Gear		1
47	C6280-02716	Moving Disc		1
48	GB894.1-80	Circlip For Shaft	80	1
49	C6280-02104	Spacer		1
50	C6280-02715	Pushing Pan		1

51	CW6163A02103	Stopper	1
52	GB77-M16x70	Hex Socket Set Screw	M16x70	2
53	GB6172-M16	Hex Thin Nut	M16	2
54	C6280-02117	Stopper	1
55	6307-35x80x21	Deep Groove Ball Bearing	35x80x21	1
56	C6280-02111	Spacer	1
57	C6280-02734	Gear	1
58	C6280-02110	Spacer	1
59	C6280-02727	Gear	1
60	GB1096-8x40	Key	8x40	2
61	C6280-02724	IV轴	1
62	CW6163A02104	Spacer	1
63	C6140W02718	Pushing Pan	1
64	CW6163A02105	Stopper	1
65	C6280-02778	Taper Thread Square Fitting	1
66	KLJA-L10	One-way Throttle	KLJA-L10	1
67	G92-1A-M16 X 1.5-Z3/8"	Taper Thread Square Fitting	M16 X 1.5-Z3/8"	1
68	M16x1.5-M16x1.5	Oil Pipe	M16x1.5-M16x1.5-1.5m	1

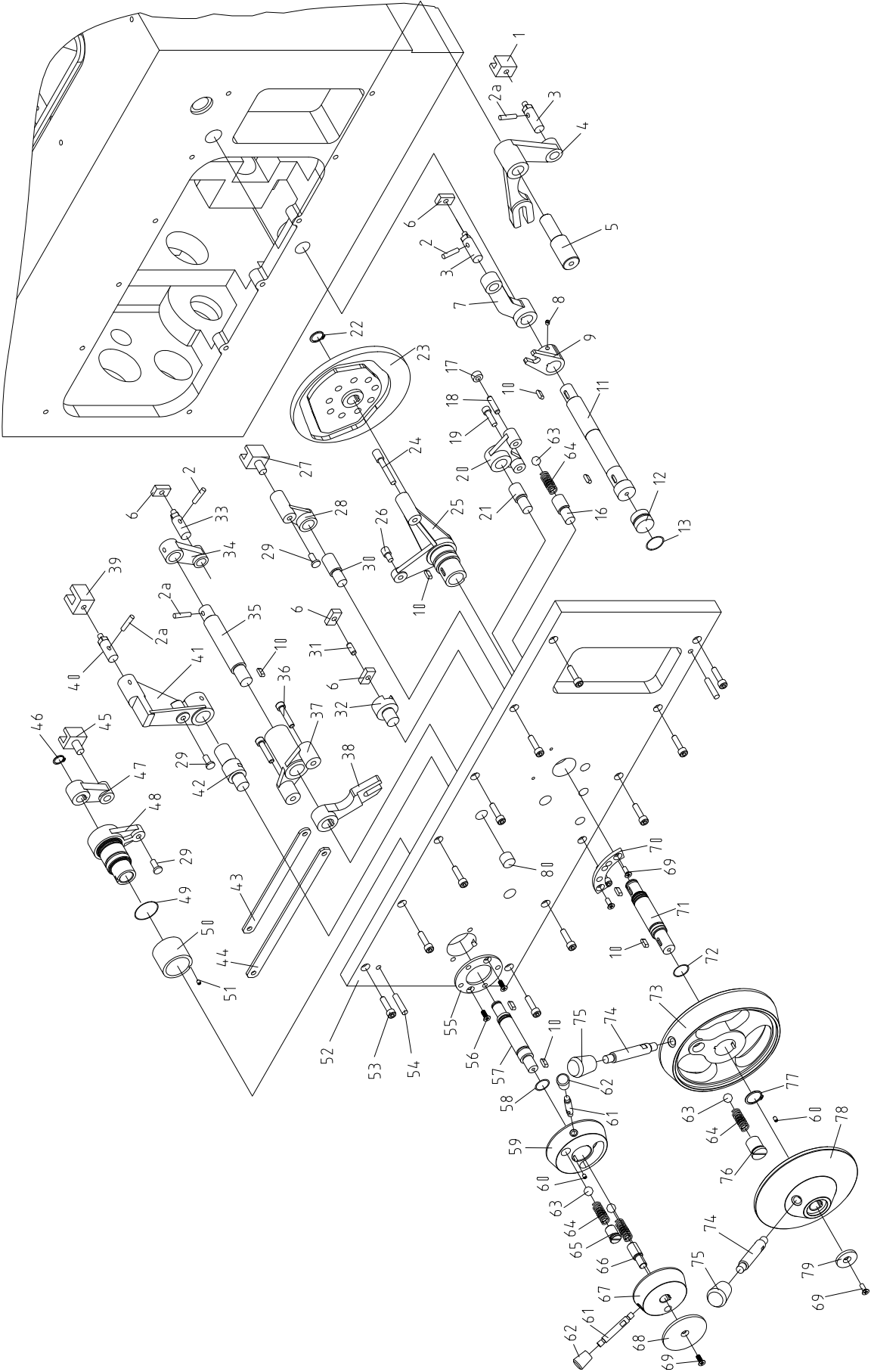
Head Stock Assembly III

Head Stock Assembly III

Index No.	Part No.	Description	Size	Qty.
1	C6280-02750-1	Round Nut.....		1
2	GB77-M12x12	Hex Socket Set Screw.....	M12x12	2
3	C6280-02750-2	Pressing Piece.....		1
4	GB70-M8x30	Hex Socket Cap Screw.....	M8x30	4
5	CW6163A02106	Back flange.....		1
6	C6280-02751	Oil Splashing Ring.....		1
7	NN3026K/P5-130x200x52	Double Row Roller Bearing.....	130x200x52	1
8	GB893.1-200	Circlip for Hole.....	200	1
9	C6280-02702-1	Round Nut.....		1
10	C6280-02702-2	Pressing Piece.....		1
11	CW6163A02703	Gear.....		1
12	6028-140x210x23	Deep Groove Ball Bearing.....	140x210x23	1
13	CW6163A02702	Gear.....		1
14	CK619102B703-1	Round Nut.....		1
15	GB77-M12x16	Hex Socket Set Screw.....	M12x16	1
16	CK619102B703-2	Pressing Piece.....		1
17	234432-160x240x96	Bearing.....	160x240x96	1
18	CK619102B704	Spacer.....		1
24	NN3032K/P5-160x240x60	Double Row Roller Bearing.....	160x240x60	1
25	G51-2A-250x5.7	O Ring.....	250x5.7	1
26	CW6163A02102	Front Flange.....		1
27	GB70-M8x25	Hex Socket Cap Screw.....	M8x25	6
28	C6280-02708	Round Nut.....		1
29	CW6163A02701	Spindle.....		1
30	GB1096-16x45	Key.....	16x45	1
31	GB1096-16x70	Key.....	16x70	1
32	Q81-1-1.2x8x25	Spring.....	1.2x8x25	6
33	C6280-02712A	Cam.....		6
34	C6280-02711	Position Limiting Screw.....		6
35	C6280-02124	Stopper.....		1
36	6306-30x72x19	Deep Groove Ball Bearing.....	30x72x19	1
37	C6280-02125	Inner Spacer.....		1
38	CW6163A02706	Gear.....		1
39	GB894.1-35	Circlip For Shaft.....	35	8
40	C6280-02774	Shaft VII.....		1
41	6007-35x62x14	Deep Groove Ball Bearing.....	35x62x14	1
42	C6280-02129	InnerSpacer.....		1
43	C6280-02775	Gear.....		1
44	C6280-02776	Gear.....		1
45	6305-25x62x17	Deep Groove Ball Bearing.....	25x62x17	2
46	C6280-02767	Shaft VII _b		1
47	C6280-02772	Liner.....		2
48	C6280-02771	Gear.....		1
49	C6280-02302	Copper Sleeve.....		1
50	GB894.1-25	Circlip For Shaft.....	25	1
51	C6280-02126	Sleeve.....		1
52	GB893.1-72	Circlip for Hole.....	72	1

53	C6280-02127	Oil Seal Support	1
54	C6280-02768	Oil Seal Liner	1
55	GB13871-B-45x62x8	Oil Seal	B-45x62x8.....1
56	6207-35x72x17	Deep Groove Ball Bearing	35x72x171
57	GB70-M8x20	Hex Socket Cap Screw	M8x203
58	C6280-02128	Bearing Support	1
59	C6280-02769	Shaft VIII	1
60	CW6163A02705	Gear	2

Head Stock Assembly IV

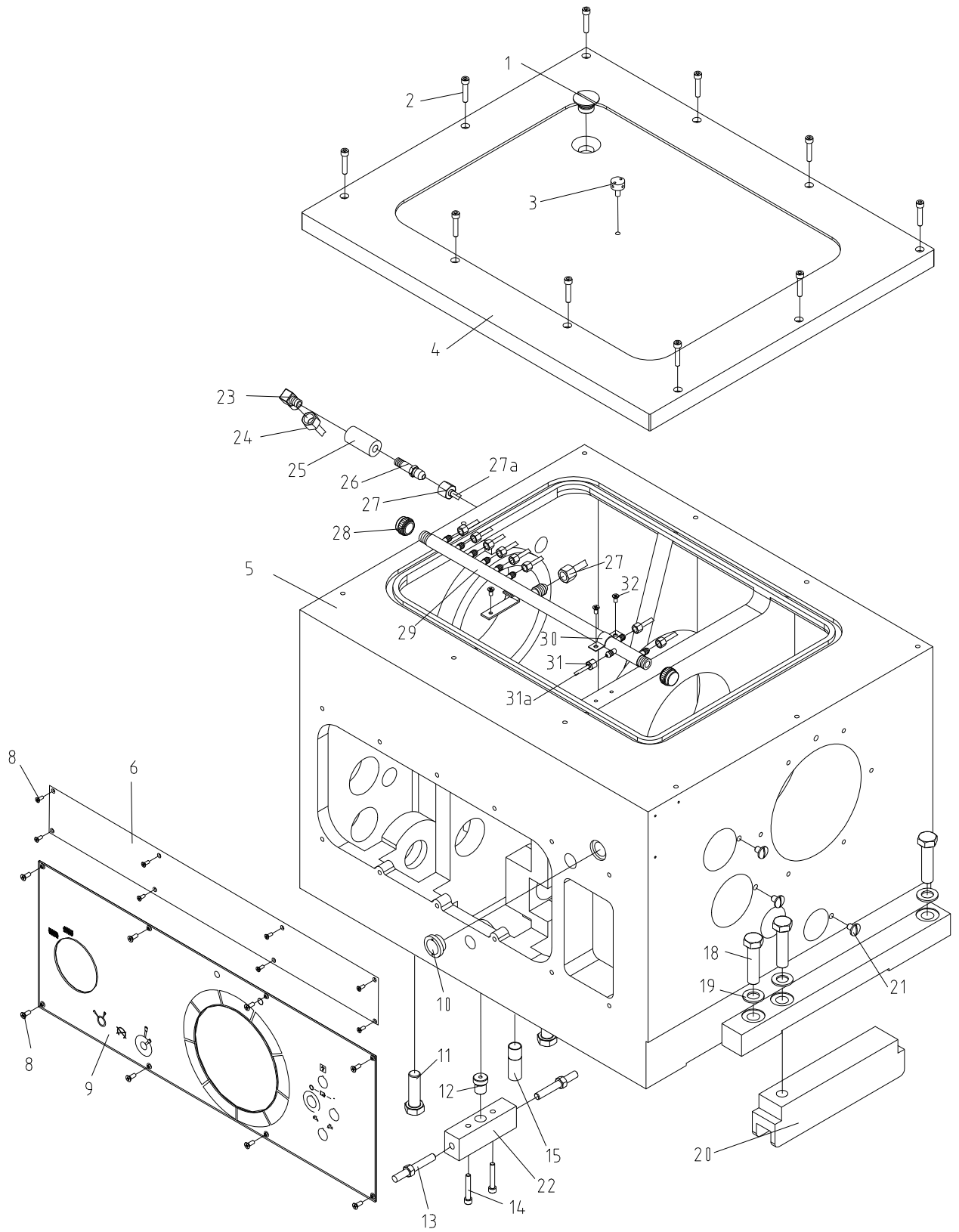


Head Stock Assembly IV

Index No.	Part No.	Description	Size	Qty.
1	C6280-02134	Fork		1
2	GB879-5x25	Round Nut	5x25	2
2a	GB879-5x30	Round Nut	5x30	3
3	C6280-02785	Eccentric Bolt		2
4	C6280-02139	Rocker		1
5	C6280-02784	Pin Axle		1
6	C6280-02145	Moving Block		4
7	C6280-02146	Rocker		1
8	GB71-M6x8	Taper End Set Screw	M6x8	1
9	C6280-02147	Rocker		1
10	GB1096-5x16	Key	5x16	9
11	C6280-02795	Shaft		1
12	C6280-02148	Stopper		1
13	GB3452.1-25x2.65	O Ring	25x2.65	1
16	C6280-02790	Sleeve		1
17	C6280-02791	Rolling Sleeve		1
18	GB119-8n6x32	Pin	8n6x32	1
19	C6280-02797	Pin Axle		1
20	C6280-02143	Rocker		1
21	C6280-02798	Pin Axle		2
22	GB894.1-20	Circlip For Shaft	20	1
23	C6280-02792	Cam		1
24	C6280-02815	Pin Axle		1
25	C6280-02137	Rocker		1
26	C6280-02800	Pin Axle		1
27	CW6163A02108	Left Fork		1
28	C6280-02144	Rocker		1
29	C6280-02804	Pin Axle		3
30	C6280-02803	Pin Axle		1
31	GB119-8n6x20	Pin	8n6x20	1
32	C6280-02814	Fork		1
33	C6280-02802	Eccentric Bolt		1
34	C6280-02141	Rocker		1
35	C6280-02801	Shaft		1
36	GB70-M8x40	Hex Socket Cap Screw	M8x40	2
37	C6280-02133	Rocker Support		1
38	C6280-02140	Rocker		1
39	C6280-02151	Fork		1
40	C6280-02805	Eccentric Bolt		1
41	C6280-02142	Rocker		1
42	C6280-02806	Pin Axle		1
43	C6280-02793	Connecting Rod		1
44	C6280-02794	Connecting Rod		1
45	C6280-02157	Fork		1
46	GB894.1-16	Circlip For Shaft	16	1
47	C6280-02156	Rocker		2
48	C6280-02152	Rocker		1
49	GB3452.1-34.5x2.65	O Ring	34.5x2.65	1
50	C6280-02155	Sleeve		1

51	GB73-M5x8	Slotted Set Screw	M5x8	1
52	C6280-02135	Operation Board		1
53	GB70-M8x30	Hex Socket Cap Screw	M8x30	10
54	GB117-8x40	Taper Pin	8x40	2
55	C6280-02807	Positioning Plate		1
56	GB819-M6x14	Slotted Countersunk Screw	M6x14	2
57	C6280-02810	Lever Shaft		1
58	GB3452.1-17x2.65	O Ring	17x2.65	1
59	CW62101B02154T	Lever Support		1
60	GB73-M5x8	Slotted Set Screw	M5x8	3
61	CW62101B02808T	Lever Shaft		2
62	Z16-2-M8x25	Lever Cover	M8x25	2
63	GB308-10	Steel ball	10	4
64	Q81-1-1.5x8.5x30	Cylindrical Compressed Spring	1.5x8.5x30	4
65	C6280-02782	Spring Sleeve		1
66	C6280-02783	Spring Sleeve		1
67	CW62101B02153T	Lever Support		1
68	C6280-02809	Liner		1
69	GB819-M6x16	Slotted Countersunk Screw	M6x16	4
70	C6280-02799	Positioning Plate		1
71	C6280-02789	Shaft		1
72	GB3452.1-20x2.65	O Ring	20x2.65	1
73	CW62101B02138T	Lever Support		1
74	CW62101B02786T	Lever Shaft		2
75	JB1341-M12x40	Lever Cover	M12x40	2
76	C6280-02787	Spring Sleeve	M8x40	2
77	GB894.1-25	Circlip For Shaft	25	1
78	CW62101B02136T	Lever Support		1
79	C6280-02788	liner		1
80	C6280-02150	Stopper		1

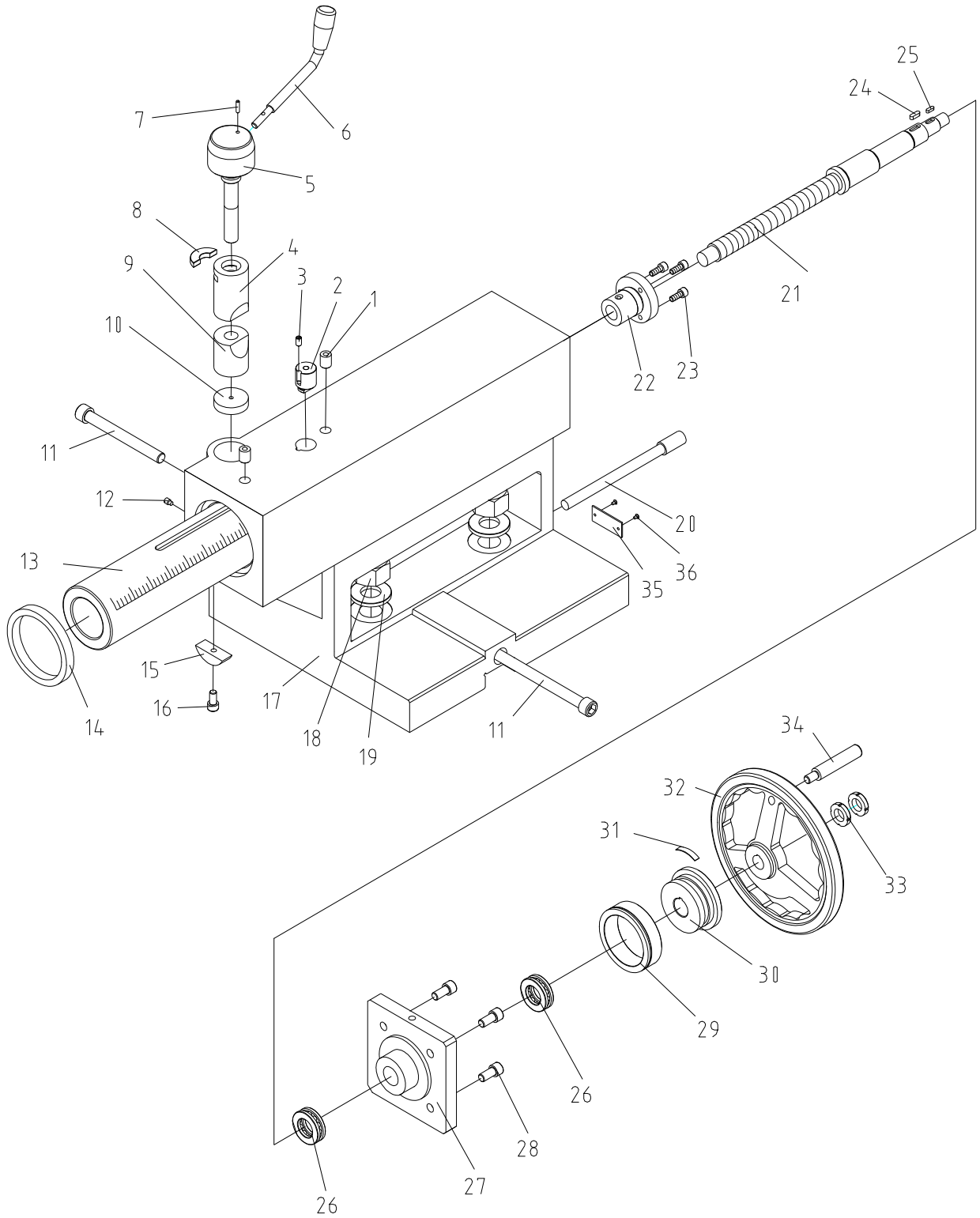
Head Stock Assembly V



Head Stock Assembly V

Index No.	Part No.	Description	Size	Qty.
1	C6140W-02835	Countersunk Screw		1
2	GB70-M8x40	Hex Socket Cap Screw	M8x40	10
3	C6280-02781	Gas Discharge Screw		1
4	CW6163A02501	Headstock Cover		1
5	CW6163A02101	Headstock Casting		1
6	CW6263A02302-5	Label (for GH-2440ZHD)		1
	CW6263A02302-3	Label (for GH-2480ZHD)		1
	CW6263A02302-4	Label (for GH-24120ZHD)		1
8	GB2672- M3x6	Cross Recessed Head Screw	M3x6	16
9	CW6163A02301	Speed Label		1
10	R51-2-20	Round Oil Indicator	20	1
11	GB5780-M20x65	Hex Screw	M20x65	2
12	C6280-02780	Positioning Pin		1
13	CW6163A02707	Adjusting Screw		2
14	GB70-M8x50	Hex Socket Cap Screw	M8x50	2
15	C6280-02796	Fitting		1
16	C6280-02305	Warning Plate		1
17	GB818-M3x4	Cross Pan Head Screw	M3x4	4
18	GB5780-M20x80	Hex Screw	M20x80	3
19	GB97.2-20	Washer	20	3
20	CW6163A02107	Clamping Plate		1
21	C6140W-02711	Screw		3
22	C6280-02131	Positioning Plate		1
23	C6280-02777	Taper Thread Square Fitting		1
24	M16x1.5-M16x1.5	Oil Pipe	M16x1.5-M16x1.5-1.5m	1
25	C6280-02811	Straight Fitting		1
26	G92-3A-31-10(f)-Z1/4"	Taper Thread Fitting	10(f)-Z1/4"	1
27	G91-3 Assembly	Buckle Fitting Assembly	A10-JB1918	2Group
27a	ZHD-10	Copper Pipe	Ø10x420	1
28	C6140W-02831	Stopping Nut		2
29	CW6163A02708	Oil Distributor Welded Assembly		1
30	C6280-02812	Pipe Clip		1
31	G91-3 Assembly	Buckle Fitting Assembly	A4-JB1918	9
31a	ZHD-4	Copper Pipe	4	9
32	GB818-M6x8	Cross Pan Head Screw	M6x8	3

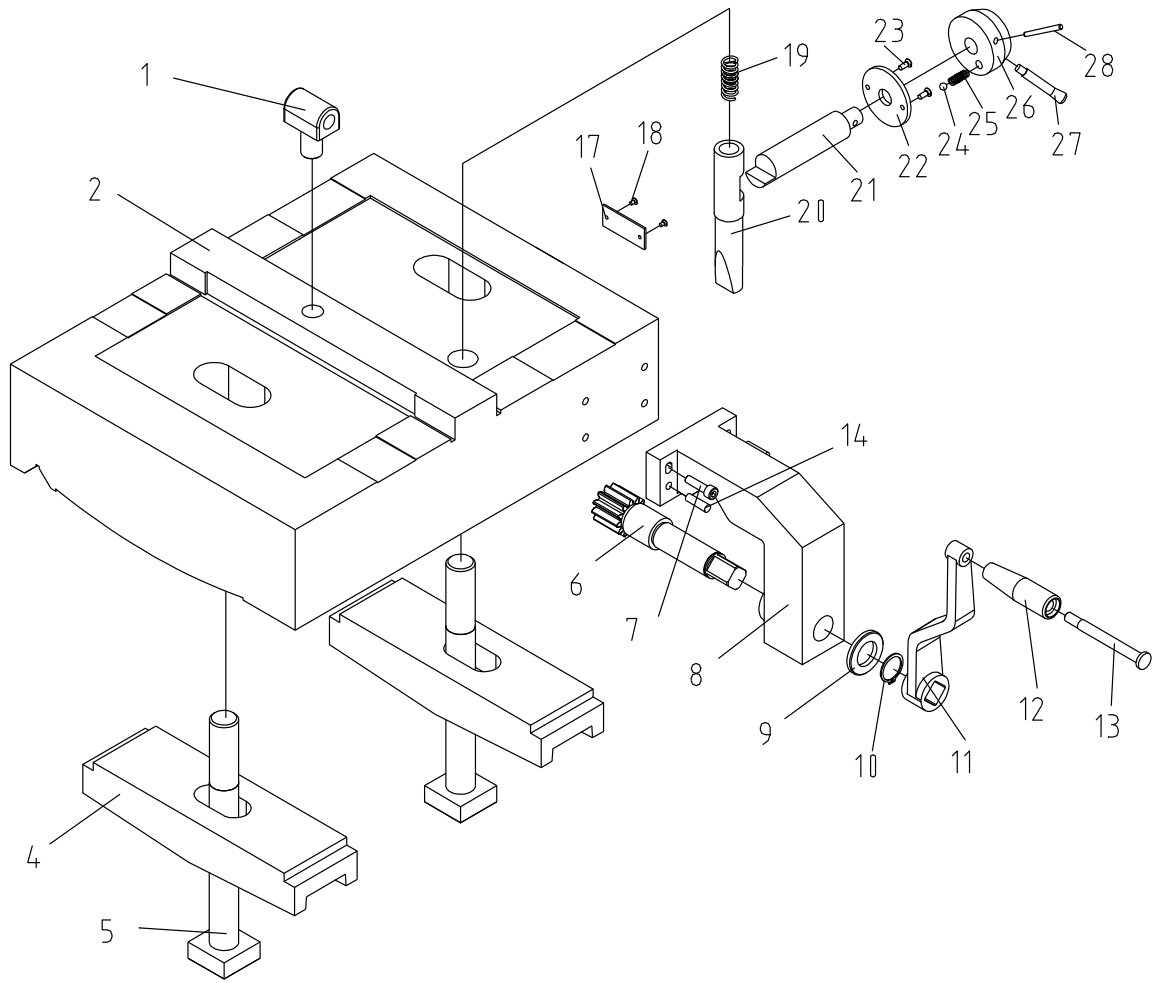
Tailstock Assembly I



Tailstock Assembly I

Index No.	Part No.	Description	Size	Qty.
1	GB1155-16	Oiler	16	2
2	CW6163A03703	Positioning Piece		1
3	GB71-M8x14	Slotted Set Screw	M8x14	1
4	CW6163A03710	Positioning Piece		1
5	C628003711	Lever Support		1
6	C628003709	Lever		1
7	GB117-5x12	Taper Pin	5x12	1
8	C628003713	Blocking Piece		1
9	CW6163A03711	Clamping Block		1
10	CW6163A03712	Cover		1
11	GB70-M16x155	Hex Socket Cap Screw	M16x155	1
12	GB71-M8x14	Slotted Set Screw	M8x14	1
13	CW6163A03701	Tailstock Quill		1
14	GB1387-100x125x12	U Type Seal Ring	100x125x12	1
15	CW6163A03703	Clamping Block		1
16	GB70-M10x20	Hex Socket Cap Screw	M10x20	1
17	CW6163A03101	Tailstock Casting		1
18	GB56-M30	Hex Thick Nut	M30	3
19	GB97.2-30	Washer	30	3
20	CW6163A03705	Mandril		1
21	CW6163A03702	Lead Screw		1
22	C628003106	Nut		1
23	GB70-M10x16	Hex Socket Cap Screw	M6x12	4
24	GB1096-8x20	Key	8x20	1
25	GB1096-6x16	Key	6x16	1
26	51206-30x52x16	Bearing	30x52x16	2
27	CW6163A03104J	Back Cover		1
28	GB70-M12x25	Hex Socket Cap Screw	M12x25	4
29	CW6163A03716	Dial		1
30	CW6163A03707	Sleeve		1
31	C613203711	Leaf Spring		1
32	C6140W03107	Handwheel		1
33	GB812-M20x1.5	Round Nut	M20x1.5	2
34	C6140W03705	Handle		1
35	CW6163A03301	Label		1
36	GB827-3x8	Rivet	3x8	2

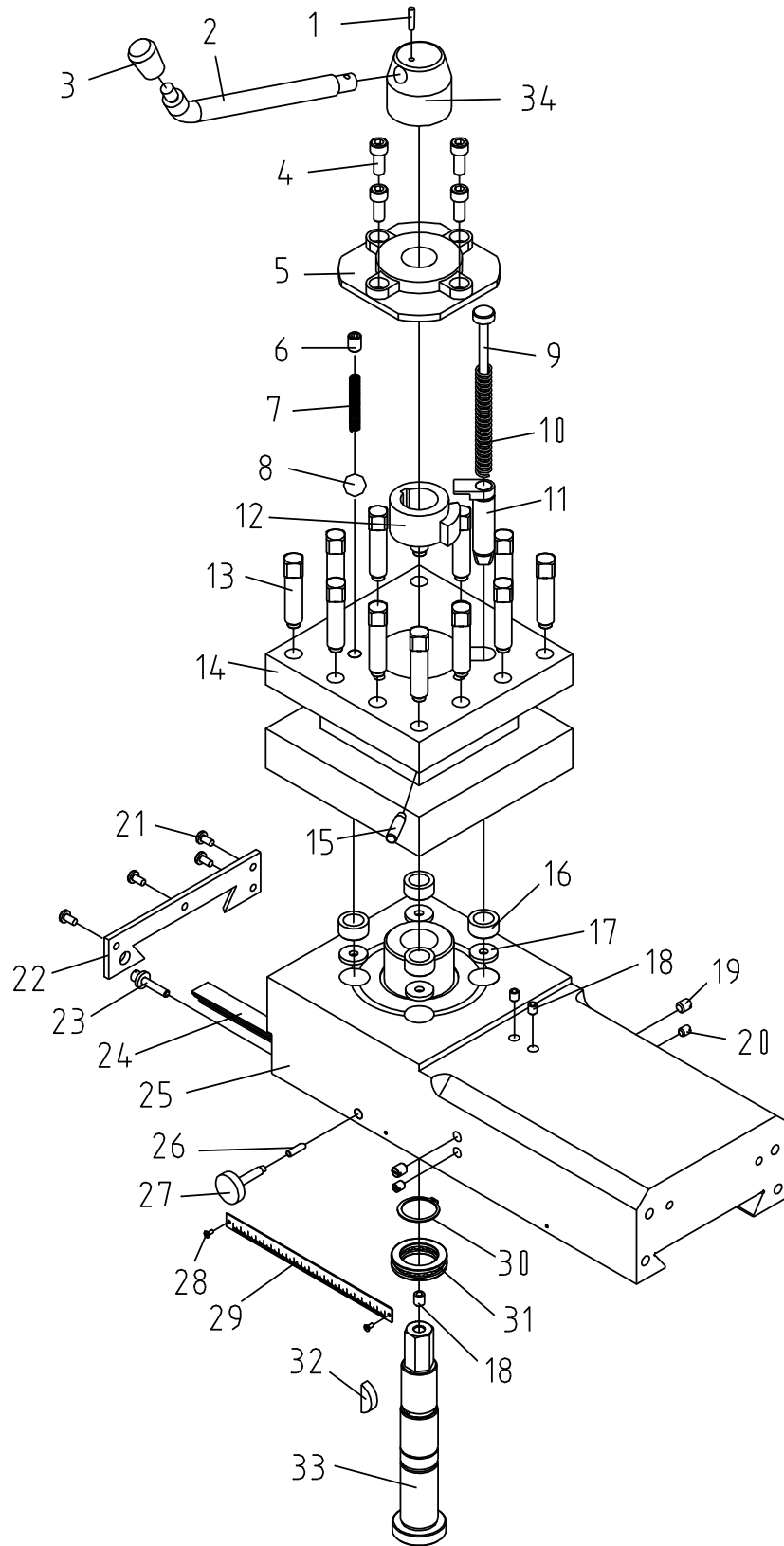
Tailstock Assembly II



Tailstock Assembly II

Index No.	Part No.	Description	Size	Qty.
1	CW6163A03107	Nut		1
2	CW6163A03102	Tailstock Bottom Plate		1
4	CW6163A03103	Clamping Plate		1
5	CW6163A03704	Bolt		1
6	CW6163A03709	Shaft		1
7	GB70-M8x30	Hex Socket Cap Screw	M8x30	2
8	CW6163A106	Bracket		1
9	C628003718	Washer		1
10	GB894.1-28	Circlip For Shaft	28	1
11	C628003109	Handle		1
12	C628003720	Lever Cover		1
13	C628003719	Handle Rod		1
14	GB117-8x30	Taper Pin	8x30	2
17	CW6163A03302	Label		1
18	GB827-3x8	Rivet	3x8	2
19	Q81-1-2x18x70	Spring	2x18x70	1
20	CW6163A03713	Locking Shaft		1
21	CW6163A03714	Shaft		1
22	CK61100B03734	Clamping Plate		1
23	GB819-M5x10	Slotted Countersunk Screw	M5x10	2
24	GB308-Φ8	Steel Ball	Φ8	1
25	Q81-1-1x8x25	Spring	1x8x25	1
26	CK61100B03107	Sleeve		1
27	CK61100B03735	Handle Rod		1
28	GB118-6x45	Inner Thread Taper Pin	6x45	1

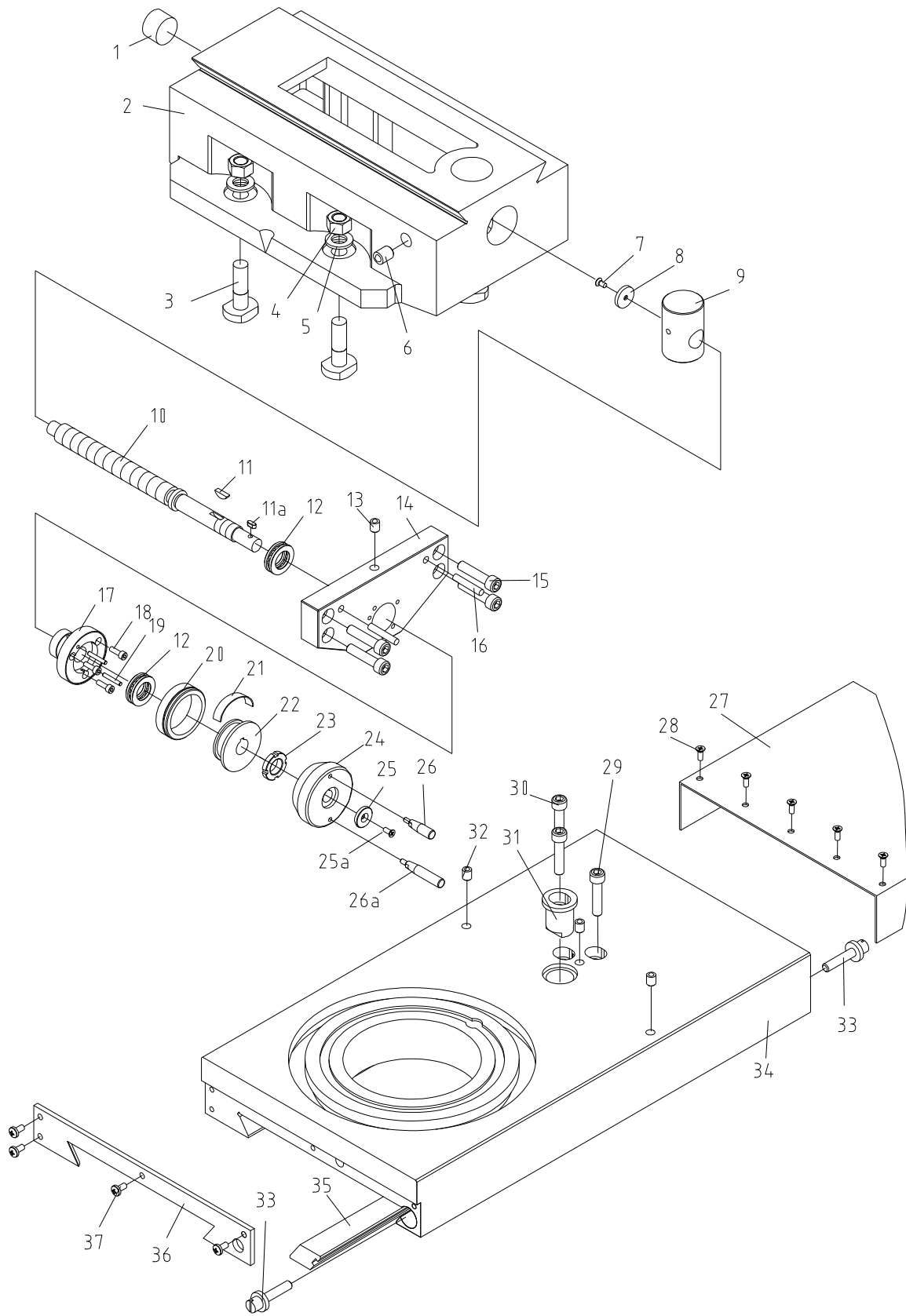
Tool Post Assembly I



Tool Post Assembly I

Index No.	Part No.	Description	Size	Qty.
1	GB117-5x25	Taper Pin	5x25	1
2	C6280-04743	Lever		1
3	GB4141.12-M12x40	Lever Sleeve	M12x40	1
4	GB70-M10x25	Hex Socket Cap Screw	M10x25	4
5	C6280-04744	Nut		1
6	GB78-M12x16	Hex Socket Set Screw	M12x16	1
7	Q81-1-1.5x10x120	Cylindrical Compressed Spring	1.5x10x120	1
8	GB308-Φ21	Steel Ball	Φ21	1
9	CW6291B-04706	Spring Positioning Pin		1
10	Q81-1-2x14x120	Cylindrical Compressed Spring	2x14x120	1
11	C6280-04741	Positioning Pin		1
12	C6280-04745	Base for Pulling Pin		1
13	GB83-M16x60	Square Head Set Screw	M16x60	12
14	CW6291B-04705	Turret Body		1
15	C6280-04770	Pin		1
16	C6280-04747	Positioning Sleeve		4
17	C6280-04748	Washer		4
18	GB1155-10	Oiler	10	3
19	GB73-M10x12	Slotted Set Screw	M10x12	2
20	GB73-M8x10	Slotted Set Screw	M8x10	2
21	GB818-M6x12	Cross Pan Head Screw	M6x12	4
22	C6280-04507	Chip Wiper		1
23	1440R-04725	Screw with Washer		1
24	C6280-04105	Gib		1
25	CW6163A04104KH	Top Slide (serial#2110ZHD0044 and lower)		1
	CW6163A04104	Top Slide (serial#2201ZHD0045 and higher)		1
26	C6280-04304	Lock Pin (only for no DRO)		1
27	C6280-04728	Lock Screw (only for no DRO)		1
28	GB827-3x8	Aluminium Rivet (only for no DRO)	3x8	2
29	C6280-04305	Labe (only for no DRO) I		1
30	GB894.1-35	Circlip For Shaft	35	1
31	51107	Thrust Ball Bearing		1
32	GB1099-8x28	Half Round Key	8x28	1
33	CW6163A04708	Axle with Thread		1
34	C6280-04126	Lever Support		1

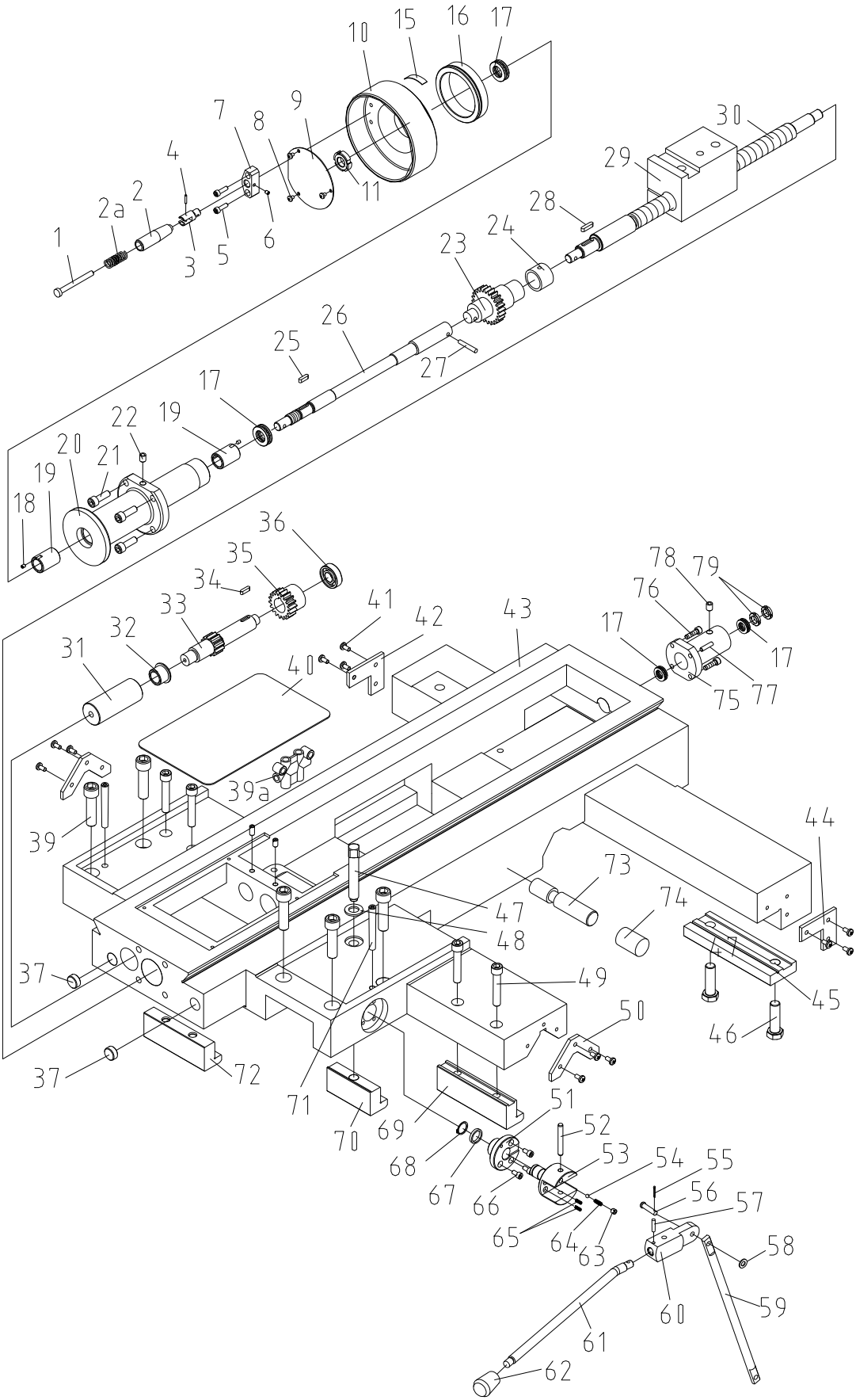
Tool Post Assembly II



Tool Post Assembly II

Index No.	Part No.	Description	Size	Qty.
1	CK6166G061031-6	Plug		1
2	CW6163A04105	Revolving Plate		1
3	CW6163A04706	Bolt		4
4	GB6170-M12	Hex Nut	M12	4
5	GB97.2-12	Washer	12	4
6	GB1155-16	Oiler	16	1
7	GB70.3-M5x12	Slotted Countersunk Screw	M5x12	1
8	C6280-04751	Cover		1
9	CW6163A04106	Nut		1
10	CW6163A04709J	Lead Screw		1
11	GB1099-5x19	Half Round Key	5x19	1
12	51104-20x35x10	Bearing	20x35x10	2
13	GB1155-10	Oiler	10	1
14	CW6163A04107	Flange		1
15	GB70-M10x35	Hex Socket Cap Screw	M10x35	4
16	GB118-8x40	Inner Thread Taper Pin	8x40	2
17	C6266C04111J(m)	SUpport		1
18	GB818-M5x12	Cross Pan Head Screw	M5x12	3
19	GB117-4x25	Taper Pin	4x25	2
20	C6266C04736GJ	Dial		1
21	C6140W-04739	Leaf Spring		1
22	C6140W-04110	Dial Body		1
23	C6266C04758T	Round Nut	M18x1.5	1
24	C6266C04752JA	Sleeve		1
25	GB891-B25	Washer	B25	1
25a	GB819-M5x12	Slotted Countersunk Screw	M5x12	1
26	C6266C04757J	Handle		1
26a	C6266C04758J	Handle		1
27	CW6163A04702	Splash		1
28	GB2672-M6x10	Hex Socket Asterisk Pan Head Screw	M6x10	5
29	GB70-M12x45	Hex Socket Cap Screw	M12x45	2
30	GB70-M12x80	Hex Socket Cap Screw	M12x80	1
31	CW6163A04703	Sleeve		1
32	GB1155-10	Oiler	10	4
33	C6140W-04716	Bolt		2
34	CW6163A04102	Top Slide		1
35	CW6163A04710	Gib		1
36	CW6163A04501	Chip Wiper		1
37	GB818-M6x12	Cross Pan Head Screw	M6x12	4

Tool Post Assembly III

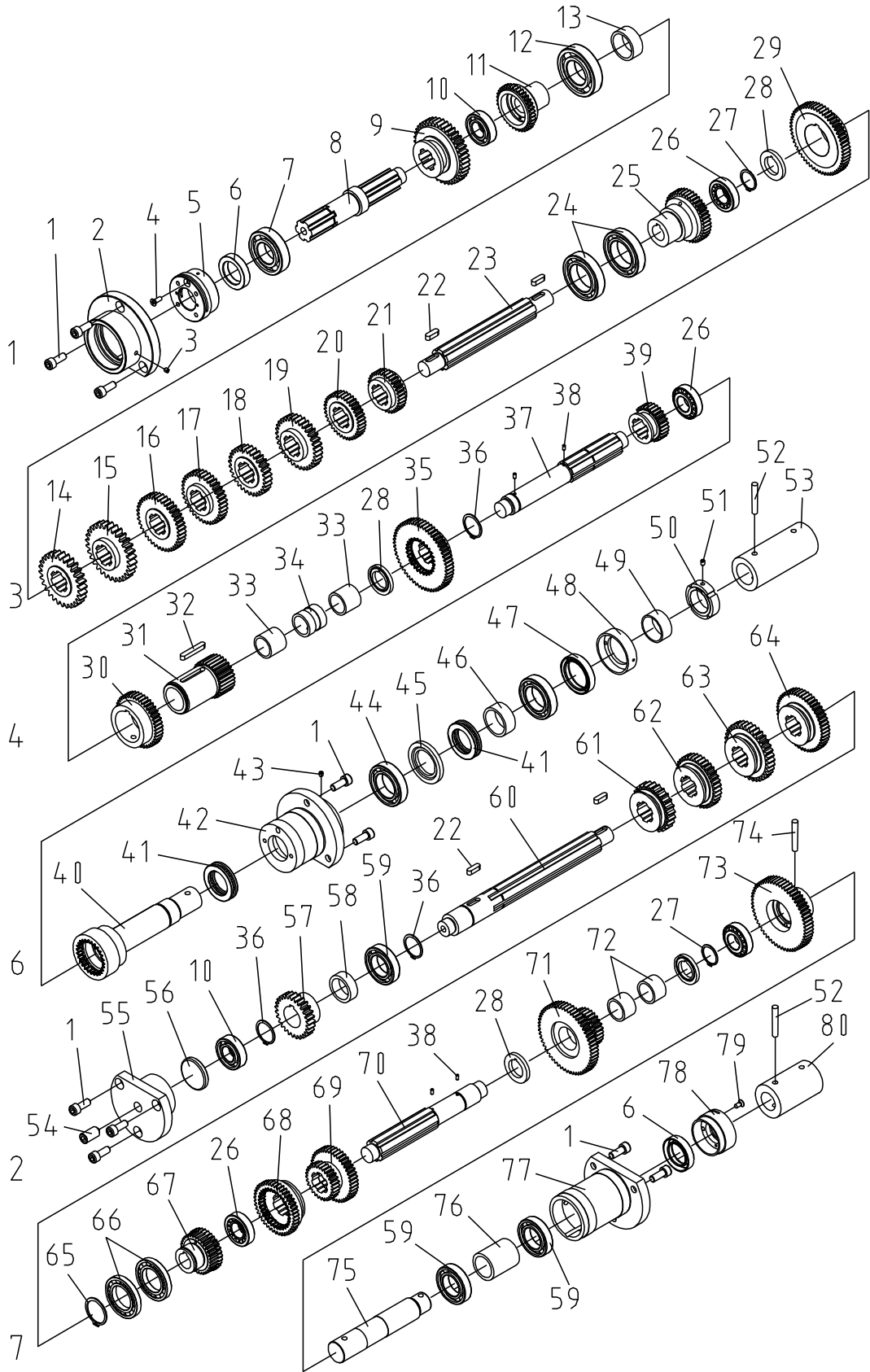


Tool Post Assembly III

Index No.	Part No.	Description	Size	Qty.
1	C6266C04756T	Handle Rod		1
2	C6266C04757T	Handle Sleeve		1
2a	Q81-1-1.4x13x48	Cylindrical Compressed Spring	1.4x13x48	1
3	C6266C04755T	Sleeve		1
4	GB119-3x15	Pin	3x15	1
5	GB70-M6x18	Hex Socket Cap Screw	M6x18	2
6	GB71-M5x8	Set Screw	M5x8	1
7	C6266C04756JA	Support		1
8	GB818-M5x6	Cross Pan Head Screw	M5x6	3
9	CW6163A04717	Cover		1
10	CW6163A04716	Sleeve		1
11	C6266C04758T	Round Nut	M18x1.5	2
15	C6266C04718	Leaf Spring		1
16	C6266C04735GJ	Adjusting Washer		1
17	51104-20x35x10	Bearing	20x35x10	4
18	GB71-M5x8	Taper End Set Screw	M5x8	2
19	C6280-04107	Sleeve		2
20	CW6163A04103J	Lead Screw Support		1
21	GB70-M10x30	Hex Socket Cap Screw	M10x30	4
22	GB1155-10	Oiler	10	1
23	CW6163A04704A	Gear		1
24	CCW616304302	Sleeve		1
25	GB1096-5x20	Key	5x20	1
26	CW6163A04707J	Cross Feed Lead Screw		1
27	GB117-8x30	Taper Pin	8x30	1
28	GB1096-8x30	Key	8x30	1
29	CW6163A04301	Nut Base		1
30	CW6163A04701A	Lead Screw Nut		1
31	C628004726	Support		1
32	C6280-04505	Support Sleeve		1
33	CW6163A04711	Gear Shaft		1
34	GB1096-6x30	Key	6x30	1
35	CW6163A04712	Sliding Key		1
36	6203-2RS-17x40x12	Deep Groove Ball Bearing	17x40x12	1
37	C6280-04768	Plug		3
39	GB70-M16x60	Hex Socket Cap Screw	M16x60	5
39a	14-18R 04003A	Lubricating System (serial#2103ZHD0033and higher)		1
40	CW6163A04705	Cover Board		1
41	GB818-M6x12	Cross Pan Head Screw	M6x12	12
42	C6280-04501	Chip Wiper		1
43	CW6163A04101	Carriage (serial#2101ZHD0032and lower)		1
	CW6163A04101B	Carriage (serial#2103ZHD0033and higher)		1
44	C6280-04502	Chip Wiper		1
45	C6280-04117	Back Clamping Plate		2
46	GB5781-M16x55	Hex Bolt	M16x55	4
47	GB83-M16x90	Square Head Set Screw	M16x90	1
48	GB97.2-16	Washer	16	1
49	GB70-M12x65	Hex Socket Cap Screw	M12x65	4
50	C6280-04503	Chip Wiper		2
51	C6280-04757	Lever Sleeve Support		1

52	GB119-8×40	Pin	8×40	1
53	C6280-04758	Lever Sleeve		1
54	GB308-6	Steel Ball	6	1
55	GB91-2×15	Split Pin	2×15	1
56	C6280-04755	Pin		1
57	GB117-5×25	Taper Pin	5×25	1
58	GB97.2-8	Washer	8	1
59	C6280-04756	Connecting Rod		1
60	C6280-04760	Lever Support		1
61	C6280-04761	Operation Lever		1
62	GB4141.12-M12×40	Lever Cap	M12×40	1
63	GB73-M8×10	Slotted Set Screw	M8×10	1
64	Q81-1-1×6×20	Cylindrical Compressed Spring	1×6×20	1
65	Q81-1-1×9×20	Cylindrical Compressed Spring	1×9×20	2
66	GB70-M6×20	Hex Socket Cap Screw	M6×20	3
67	C6280-04759	Liner		1
68	GB894.1-20	Circlip For Shaft	20	1
69	C6280-04111	Right Front Clamping Plate		1
70	C6280-04727	Lock Piece		1
71	GB118-10×85	Inner Thread Taper Pin	10×85	2
72	C6280-04118	Left Front Clamping Plate		1
73	C6280-03704	Rod		1
74	C6280-03501	Cover		1
75	CW6291B04107	Cradle		1
76	GB70	Hex Socket Cap Screw	M10×25	2
77	GB118	Pin	8×35	2
78	GB1155-6	Oiler	6	1
79	GB812	Nut	M18×1.5	2

Gear Box Assembly I

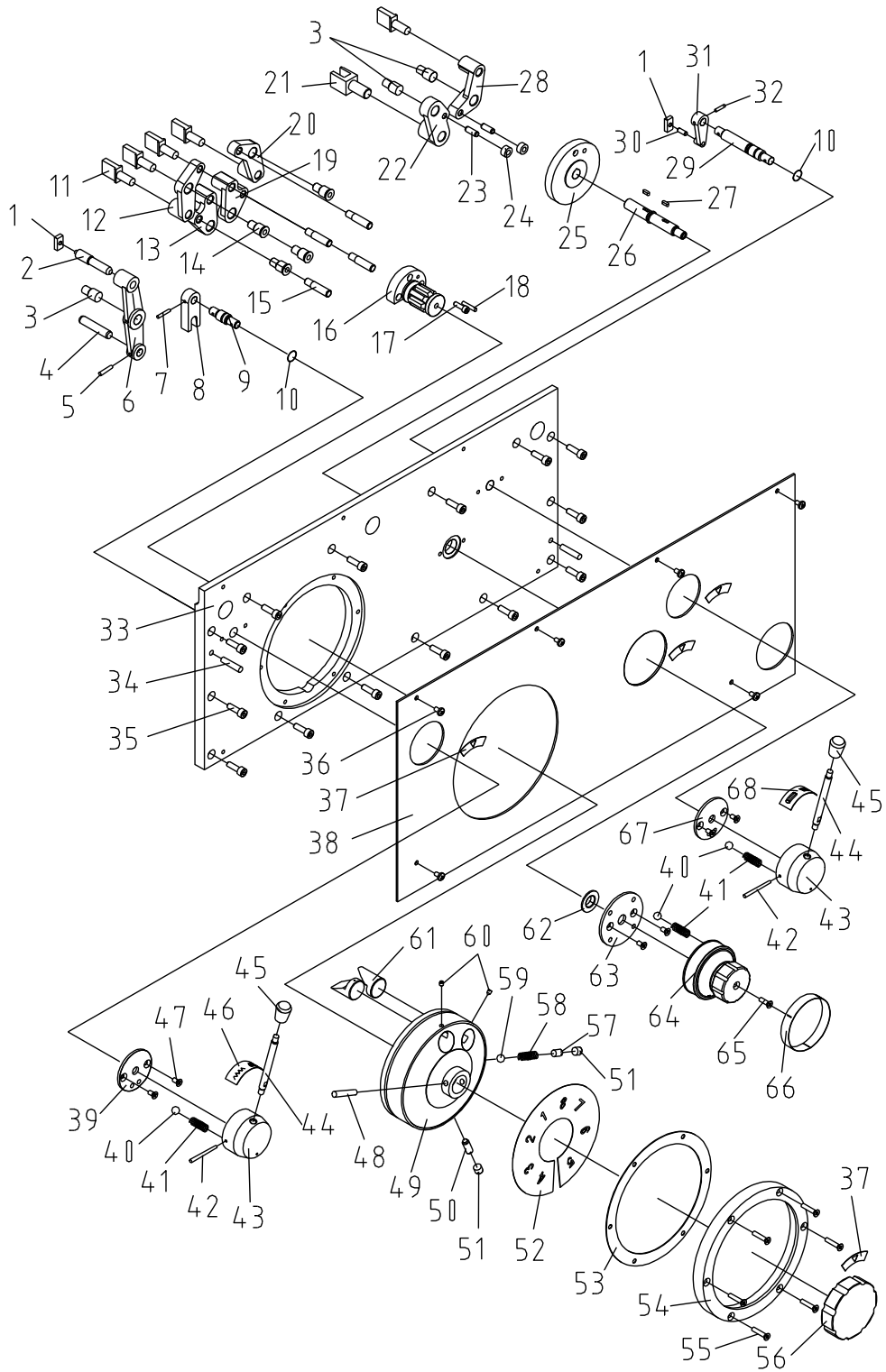


Gear Box Assembly I

Index No.	Part No.	Description	Size	Qty.
1	GB70-M10x25	Hex Socket Cap Screw	M10x25	12
2	C6280-05109	Bearing Support		1
3	GB71-M6x10	Taper End Set Screw	M6x10	1
4	GB819-M6x14	Slotted Countersunk Screw	M6x14	1
5	C6280-05702	Adjusting Ring		1
6	G51-4-35x55x12	Rotating Seal Ring	35x55x12	2
7	6207-35x72x17	Deep Groove Ball Bearing	35x72x17	1
8	C6280-05701	IShaft		1
9	C6280-05703	Gear		1
10	6205-25x52x15	Deep Groove Ball Bearing	25x52x15	2
11	C6280-05704	Gear		1
12	6208-40x80x18	Deep Groove Ball Bearing	40x80x18	1
13	C6280-05106	Spacer		1
14	C6280-05706	Gear		1
15	C6280-05707	Gear		1
16	C6280-05708	Gear		1
17	C6280-05709	Gear		1
18	C6280-05710	Gear		1
19	C6280-05711	Gear		1
20	C6280-05712	Gear		1
21	C6280-05713	Gear		1
22	GB1096-8x25	Key	8x25	4
23	C6280-05705	IIIShaft		1
24	6009-45x75x16	Deep Groove Ball Bearing	45x75x16	2
25	C6280-05714	Gear		1
26	30205-25x52x16.25	Bearing	25x52x16.25	4
27	GB894.1-30	Circlip For Shaft	30	2
28	C6280-05734	Rotating Stopping Ring		4
29	C6280-05716	Gear		1
30	C6280-05717	Gear		1
31	C6280-05719	Gear		1
32	GB1096-8x50	Key	8x50	1
33	943-30x38x32	Bearing	30x38x32	2
34	C6280-05718	Spacer		1
35	C6280-05720	Gear		1
36	GB894.1-35	Circlip For Shaft	35	3
37	C6280-05715	IVShaft		1
38	GB119-4x8	Pin	4x8	4
39	C6280-05721	Gear		1
40	C6280-05722	VIShaft		1
41	51108-40x60x13	Bearing	40x60x13	2
42	C6280-05102	Bearing Support		1
43	GB71-M6x8	Taper End Set Screw	M6x8	1
44	6008-40x68x15	Deep Groove Ball Bearing	40x68x15	2
45	C6280-05723	C-clip		1
46	C6280-05103	Spacer		1
47	G51-4-45x62x12	Rotating Seal Ring	45x62x12	1
48	C6280-05724	C-clip		1
49	C6280-05725	Spacer		1

50	C6280-05726	Round Nut		1
51	GB73-M6x8	Slotted Set Screw	M6x8	1
52	GB117-8x55	Taper Pin	8x55	2
53	C6280-05727	Lead Screw Connecting Sleeve		1
54	GB78-M16x35	Hex Socket Set Screw	M16x35	1
55	C6280-05108	Bearing Support		1
56	C6280-05744	Cover		1
57	C6280-05743	Gear		1
58	C6280-05107	Spacer		1
59	6007-35x62x14	Deep Groove Ball Bearing	35x62x14	3
60	C6280-05742	II Shaft		1
61	C6280-05741	Gear		1
62	C6280-05740	Gear		1
63	C6280-05739	Gear		1
64	C6280-05738	Gear		1
65	GB894.1-40	Circlip For Shaft	40	1
66	16008-40x68x9	Deep Groove Ball Bearing	40x68x9	2
67	C6280-05737	Gear		1
68	C6280-05736	Gear		1
69	C6280-05735	Gear		1
70	C6280-05732	V Shaft		1
71	C6280-05733	Gear		1
72	942-30x38x24	Bearing	30x38x24	2
73	C6280-05731	Gear		1
74	GB117-8x50	Taper Pin	8x50	1
75	C6280-05729	VII Shaft		1
76	C6280-05105	Spacer		1
77	C6280-05104	Bearing Support		1
78	C6280-05730	Adjusting Ring		1
79	GB819-M6x12	Slotted Countersunk Screw	M6x12	1
80	C6280-05728	Feed Rod Connecting Sleeve		1

Gear Box Assembly II

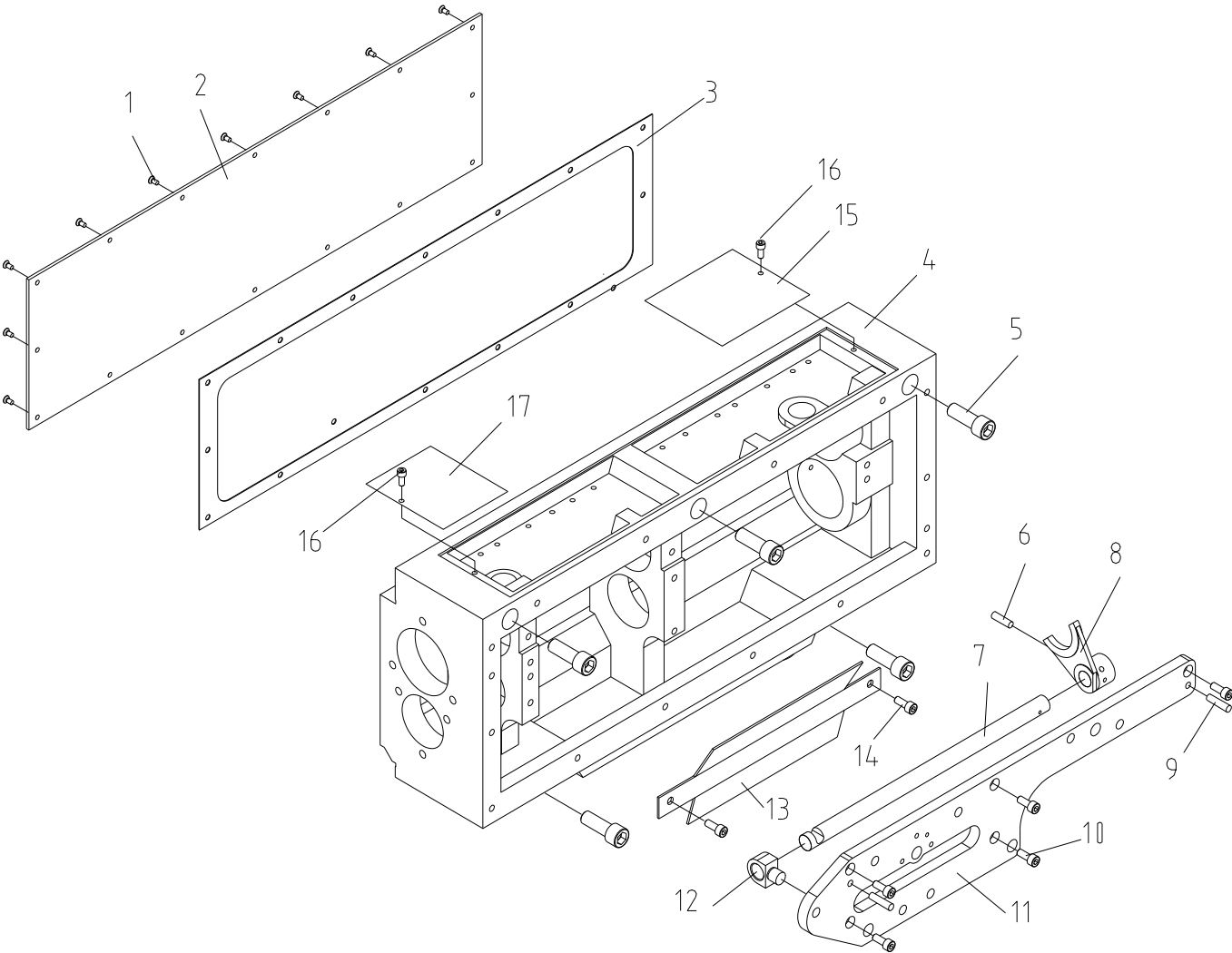


Gear Box Assembly II

Index No.	Part No.	Description	Size	Qty.
1	C6140W-05109	Moving Block		2
2	C6280-05753	Moving Axle		1
3	C6280-05752	Positioning Pin		3
4	GB119-12n×60	Pin	12n×60	1
5	GB117-5×25	Taper Pin	5×25	1
6	C6280-05117	Rocker		1
7	GB117-4×25	Taper Pin	4×25	1
8	C6280-05118	Fork		1
9	C6280-05755	Lever Axle		1
10	GB3452.1-12.5×1.8	O RING	12.5×1.8	2
11	C6280-05111	Moving Block		1
12	C6280-05120	Rocker		1
13	C6280-05121	Rocker		1
14	C6280-05746	Positioning Pin		1
15	C6280-05745	Positioning Pin		1
16	C6280-05749	Positioning Lever Base		1
17	GB70-M6×20	Hex Socket Cap Screw	M6×20	3
18	GB117-5×28	Taper Pin	5×28	1
19	C6280-05122	Rocker		1
20	C6280-05123	Rocker		1
21	C6280-05304	Fork		1
22	C6280-05126	Rocker		1
23	GB119-8×22	Pin	8×22	2
24	C6280-02791	Rotating Ring		2
25	C6280-05760	Cam		1
26	C6280-05761	Lever Support		1
27	GB1096-4×12	Key	4×12	2
28	C6280-05124	Rocker		1
29	C6280-05764	Lever Support		1
30	GB119-6×15	Pin	6×15	1
31	C6280-05127	Rocker		1
32	GB117-4×20	Taper Pin	4×20	1
33	C6280-05115	Feed Box Front Cover		1
34	GB117-8×40	Taper Pin	8×40	2
35	GB70-M8×25	Hex Socket Cap Screw	M8×25	14
36	GB819-M6×10	Slotted Countersunk Screw	M6×10	6
37	C6280-05306	Label		4
37a	GB827-2×5	Aluminium Rivet(not show)	2×5	8
38	CW6163A05701	Panel		1
39	C6280-05754	Positioning Disc		1
40	GB308-10	Steel Ball	10	3
41	GB2089-1.2×8×12	Spring	1.2×8×12	3
42	GB117-4×55	Taper Pin	4×55	2
43	C628005119	Lever Support		2
44	C628005756	Lever		2
45	GB4141.12-M8×25	Lever Sleeve	M8×25	2
46	CW6263A-05302	Label		1
46a	GB827-2×5	Aluminium Rivet(not show)	2×5	2
47	GB819-6×12	Slotted Countersunk Screw	6×12	6

48	GB117-8x50	Taper Pin	8x50	1
49	C6280-05113	Lever Support		1
50	C6280-05748	Positioning Screw		1
51	GB71-M12x16	Taper End Set Screw	M12x16	2
52	C6280-05301	Lever Label	8x55	1
52a	GB827-2x5	Aluminium Rivet(not show)	2x5	2
53	C6280-05501	Liner		1
54	C6280-05747	Liner Ring		1
55	GB819-M6x30	Slotted Countersunk Screw	M6x30	6
56	C6280-05114	Handle		1
57	GB71-M10x20	Taper End Set Screw	M10x20	1
58	GB2089-1x7x20	Spring	1x7x20	1
59	GB308-7	Steel Ball	7	1
60	GB71-M6x8	Taper End Set Screw	M6x8	2
61	C6280-05750	Taper Cam		2
62	G51-5-16	J Type Oil Seal	16	1
63	C6280-05762	Positioning Disc		1
64	C6280-05125	Lever Support		1
65	GB819-M6x20	Slotted Countersunk Screw	M6x20	1
66	C6280-05303	Label		1
66a	GB827-2x5	Aluminium Rivet(not show)	2x5	2
67	C6280-05763	Positioning Disc		1
68	CW6263A-05304	Label		1
68a	GB827-2x5	Aluminium Rivet(not show)	2x5	2

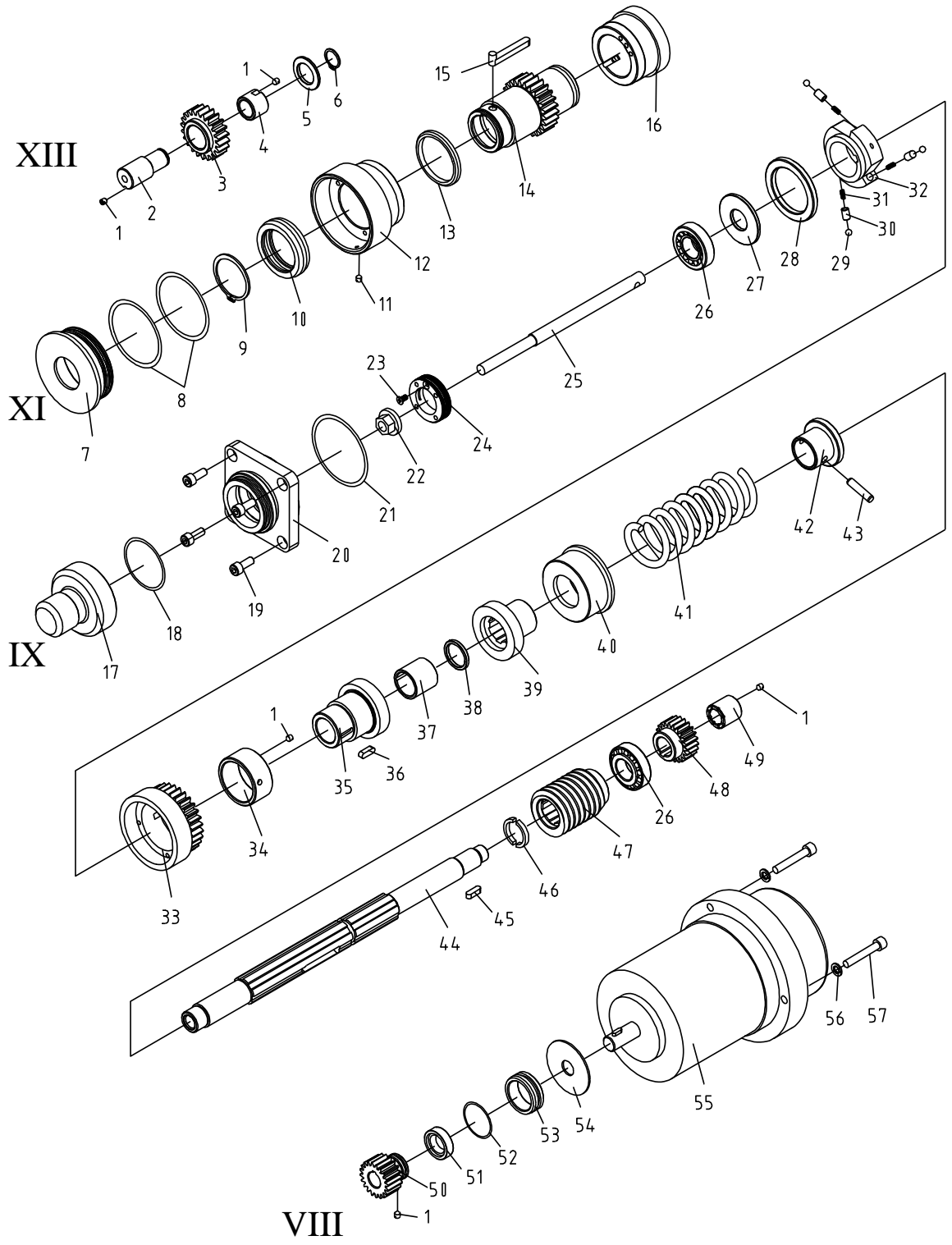
Gear Box Assembly III



Gear Box Assembly III

Index No.	Part No.	Description	Size	Qty.
1	GB5781-M6×16	Hex Bolt	M6×16	16
2	C6280-05759	Back Cover		1
3	C6280-05502	Liner		1
4	C6280-05101	Feed Box Casting		1
5	GB70-M16×45	Hex Socket Cap Screw	M16×45	5
6	GB117-5×30	Taper Pin	5×30	1
7	C6280-05751	Sliding Shaft		1
8	C6280-05116	Fork		1
9	GB118-8×35	Inner Thread Taper Pin	8×35	2
10	GB70-M8×20	Hex Socket Cap Screw	M8×20	5
11	C6280-05112	Supporting Plate		1
12	C6280-05110	Positioning Pin		1
13	C6280-05758A	Oil baffle-plate		1
14	GB70-M6×10	Hex Socket Cap Screw	M6×10	2
15	C6280-05767	Cover (serial #1911ZHD0018 and higher)		1
16	GB818-M6×10	Cross Pan Head Screw (serial #1911ZHD0018 and higher)	M6×10	2
17	C6280-05766	Cove (serial #1911ZHD0018 and higher)		1

Apron Assembly I

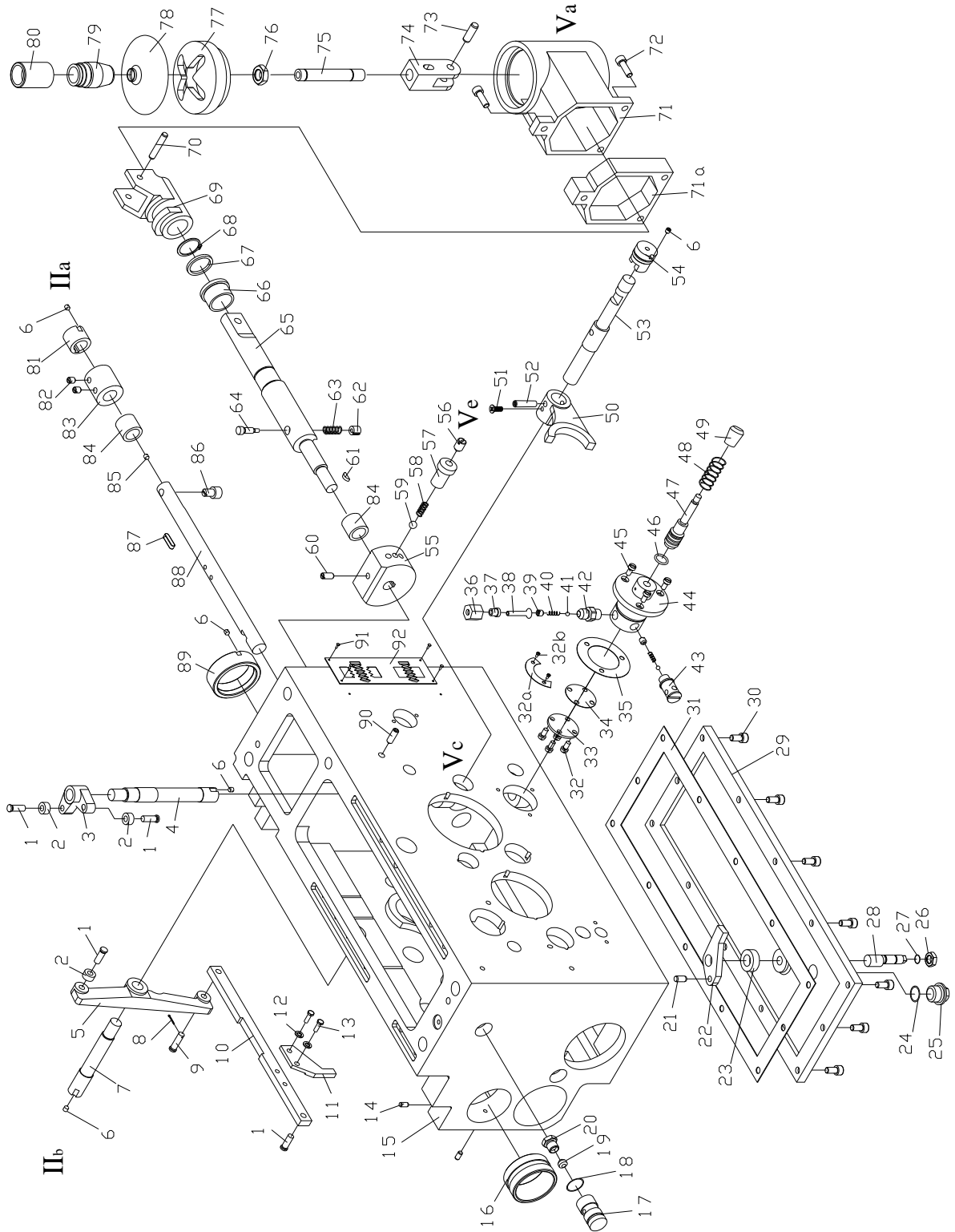


Apron Assembly I

Index No.	Part No.	Description	Size	Qty.
1	GB71-M6x8	Taper End Set Screw	M6x8	5
2	C6280-06775	Shaft XIII		1
3	C6280-06769	Gear		1
4	C6280-06125	Sleeve		1
5	C6280-06768	Lining Ring		1
6	GB894.1-20	Circlip For Shaft	20	1
7	C6280-06774	End Cover		1
8	G51-2A-85x3.1	O RING	85x3.1	2
9	GB894.1-50	Circlip For Shaft	50	1
10	C6280-06772	Spacer		1
11	GB71-M8x10	Taper End Set Screw	M8x10	2
12	C6280-06127	Left Positioning Sleeve		1
13	C6280-06771	Lining Ring		1
14	C6280-06770	Geared Shaft		1
15	C6280-06773	Sliding Key		1
16	C6280-06126	Right Positioning Sleeve		1
17	C6280-06778	End Cover for Shaft IX		1
18	G51-2A-65x3.1	O RING	65x3.1	1
19	GB819-M5x10	Slotted Countersunk Screw	M5x10	1
20	C6280-06776	Bearing Adjusting Ring		1
21	GB70-M8x20	Hex Socket Cap Screw	M8x20	4
22	C6280-06129	Flange		1
23	G51-2A-90x3.1	O RING	90x3.1	1
24	C6280-06779	Nut		1
25	C6280-06777	Draw Bar		1
26	30205-25x52x15	Taper Roller Bearing	25x52x15	2
27	C6280-06780	Liner		1
28	C6280-06781	Liner		1
29	C6280-06758	Roller		3
30	C6280-06759	Pressing Pin		3
31	Q81-1-0.5x4x18	Cylindrical Compressed Spring	0.5x4x18	3
32	C6280-06782	Asterisk Wheel		1
33	C6280-06783	Gear		1
34	C6280-06306	Sleeve		1
35	C6280-06767	Left Clutch		1
36	GB1096-8x20	Key	8x20	1
37	C6280-06128	Lining		1
38	C6280-06784	Liner		1
39	C6280-06766	Left Clutch		1
40	C6280-06765	Sleeve		1
41	Q81-1-10x60x132	Cylindrical Compressed Spring (serial #19107ZHD0017 and lower)	10x60x132	1
	Q81-1-6x60x132	Cylindrical Compressed Spring (serial #1911ZHD0018 and higher)	6x60x132	1
42	C6280-06764	Fending Sleeve		1
43	GB119-8n6x35	Pin	8n6x35	1
44	C6280-06761	Shaft IX		1
45	GB1096-6x20	Key	6x20	1
46	C6280-06763	Washer		1
47	C6280-06762	Worm		1
48	C6280-06760	Gear		1

49	C6280-06304	Shaft Sleeve	1
50	C6280-06305	Gear	1
51	GB13871-18x35x10	Oil Seal	18x35x10
52	G51-2A-45x3.1	O RING	45x3.1
53	C6280-06800	Spacer	1
54	C6280-06502	Liner	1
55	NJ12-4TH	Motor	1.1KW
56	GB93-8	Spring Washer	8
57	GB70M8x50-	Hex Socket Cap Screw	M8x50

Apron Assembly II

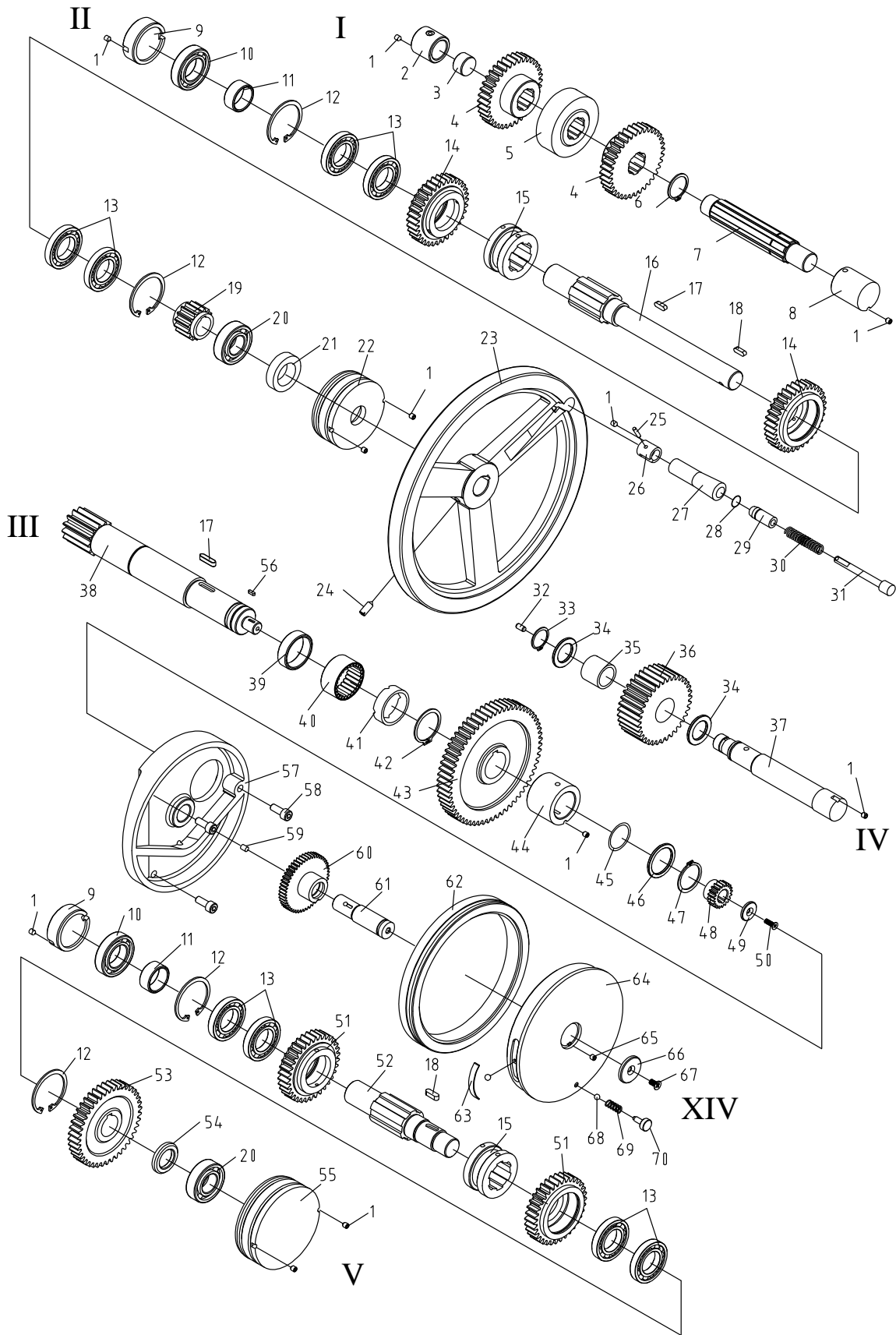


Apron Assembly II

Index No.	Part No.	Description	Size	Qty.
1	C6280-06718	Pin		4
2	C6280-06719	Roller		3
3	C6280-06109	Rocker		1
4	C6280-06723	Shaft Vb		1
5	C6280-06111	Rocker		1
6	GB71-M6x8	Taper End Set Screw	M6x8	5
7	C6280-06721	Shaft IIb		1
8	GB91-1.5x12	Split Pin	1.5x12	1
9	C6280-06724	Pin		1
10	C6280-06717	Connecting Rod		1
11	C6280-06716	Fending Plate		1
12	GB93-6	Spring Washer	6	2
13	GB5781-M6x16	Hex Bolt	M6x16	2
14	GB119-6n6x8	Pin	6n6x8	2
15	C6280-06101	Apron Casting		1
16	C6280-06136	Lining		1
17	C6280-06785	Tap with Hole		1
18	G51-2A-25x2.4	O RING	25x2.4	1
19	G91-2-8	Fitting Liner	8	1
20	G91-1-8	Fitting Hollow Bolt	8	1
21	GB119-8n6x16	Pin	8n6x16	1
22	C6280-06715	Moving Block		1
23	C6280-06714	Liner		1
24	G51-2A-22x2.4	O RING	22x2.4	1
25	G38-2A-M22x1.5	Bolt	M22x1.5	1
26	GB6172-M12	Hex Thin Nut	M12	1
27	G51-2A-12x1.9	O RING	12x1.9	1
28	C6280-06713	Eccentric Axle		1
29	C6280-06110	Bottom Cover		1
30	GB70-M8x16	Hex Socket Cap Screw	M8x16	12
31	C6280-06501	Liner		1
32	GB65-M6x10	Slotted Cap Screw	M6x10	4
32a	C6266C06303-10	Label (serial#2103ZHD0033and higher)		1
32b	GB2672-M3x6	Screw (serial#2103ZHD0033and higher)	M3x6	2
33	C6266C-06713	Oil Pump Cover		1
34	C6266C-06505	Liner		1
35	C6280-06503	Liner		1
36	Y91-1A-8	Fitting Nut	8	1
37	G91-3-8	Fitting Sleeve	8	1
38	ZHD-8	Copper Pipe	8	1
39	C6266C-06714	Adjusting Screw		2
40	Q81-1-0.3x4x12	Cylindrical Compressed Spring	0.3x4x12	2
41	GB308-5	Steel Ball	5	2
42	C6266C-06726	Valve Body		1
43	C6266C-06715	Oil Fitter		1
44	C6280-06141	Oil Pump Base		1
45	GB65-M6x12	Slotted Cap Screw	M6x12	3
46	G51-2A-20x2.4	O RING	20x2.4	1
47	C628006799	Piston Rod	35	1
48	Q81-11.6x8x78	Cylindrical Compressed Spring	1.6x8x78	1
49	CW6163A-06703	Lever Cap		1

50	C6280-06113	Right Fork		1
51	GB819-M6x14	Slotted Countersunk Screw	M6x14	1
52	GB118-8x35	Inner Thread Taper Pin	8x35	1
53	C6280-06722	Shaft Vc		1
54	C6280-06112	Sleeve		1
55	C6280-06712	Cylindrical Cam		1
56	GB71-M12x20	Taper End Set Screw	M12x20	1
57	C6280-06720	Positioning Sleeve		1
58	Q81-1-1.5x10x24	Cylindrical Compressed Spring	1.5x10x24	1
59	GB308-10	Steel Ball	10	1
60	GB71-M8x20	Taper End Set Screw	M8x20	1
61	GB1099-5x19	Half Round Key	5x19	1
62	C6280-06711	Pin		1
63	Q81-1-0.8x11x25	Cylindrical Compressed Spring	0.8x11x25	1
64	C6280-06710	Spring Supporting Pin		1
65	C6280-06707J	Shaft Va		1
66	C6280-06102	Sleeve		1
67	C6280-06103	Liner		1
68	GB894.1-30	Circlip For Shaft	30	1
69	C6280-06105	Sliding Bracket		1
70	GB119-8n6x45	Pin	8n6x45	1
71	C6280-06104	Bracket		1
71a	C628020170306	Base Plate		1
72	GB70-M8x25	Hex Socket Cap Screw	M8x25	3
73	GB119-10n6x30	Pin	10n6x30	1
74	C6280-06702	Operating Block		1
75	CW6163A06701	Lever		1
76	GB6172-M16x1.5	Hex Thin Nut	M16x1.5	1
77	G91-3-8	Fitting Sleeve	8	1
78	C6280-06703	Cover		1
79	C6280-06705	Lever		1
80	C6280-06706	Lever Cover		1
81	C6280-06107	Sleeve		1
82	GB71-M8x12	Taper End Set Screw	M8x12	2
83	C6280-06709	Sleeve for Limiting Position		1
84	C6280-06108	Lining		2
85	GB71-M5x8	Taper End Set Screw	M5x8	1
86	C6280-06701	Pin for Limiting Position		1
87	GB1096-6x40	Key	6x40	1
88	C6280-06708J	Shaft Ia		1
89	C6280-06301	Lining		1
90	GB77-M8x30	Hex Socket Set Screw	M8x30	1
91	GB827-3x8	Aluminium Rivet	3x8	4
92	C6280-06308	Label		1

Apron Assembly III

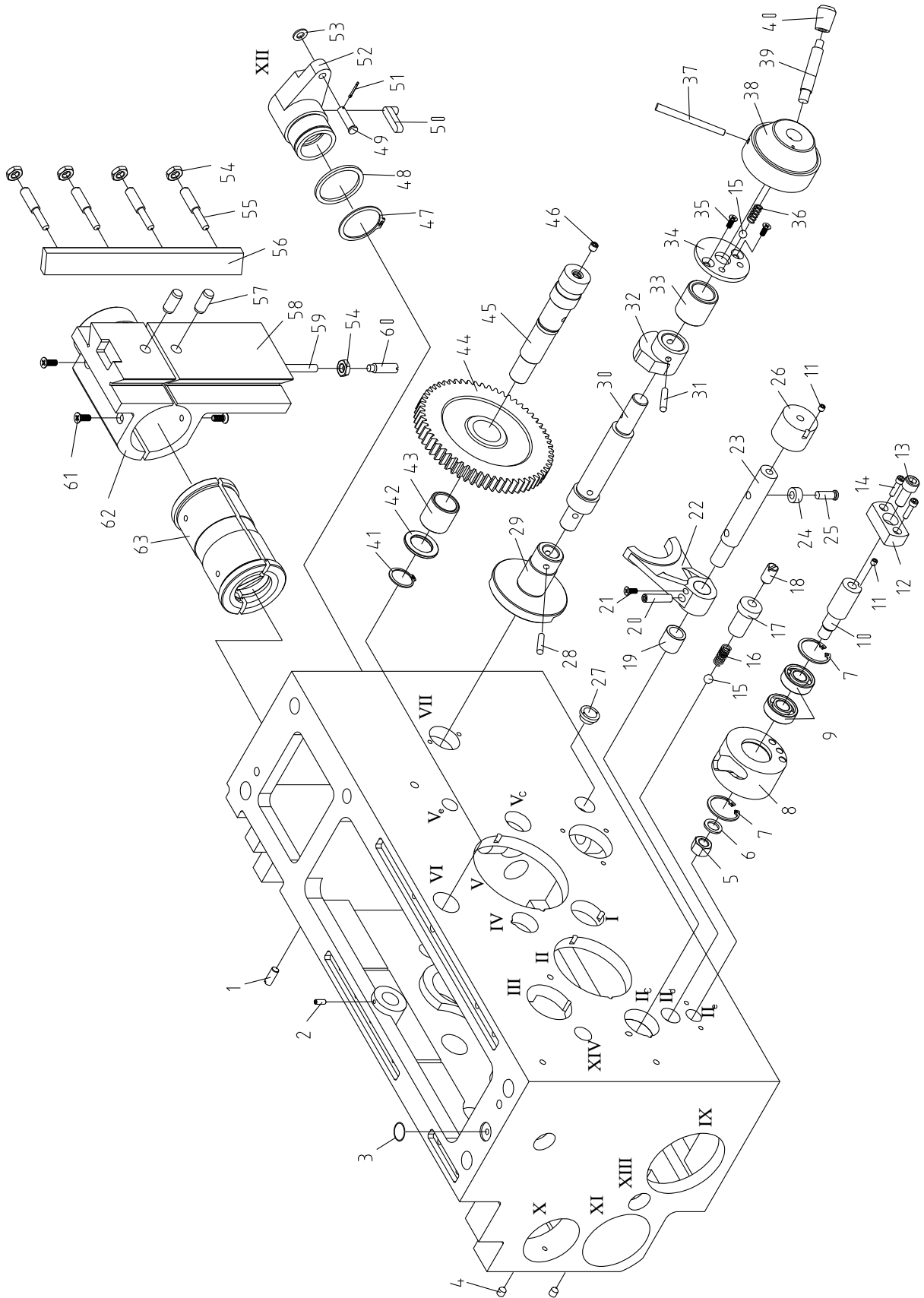


Apron Assembly III

Index No.	Part No.	Description	Size	Qty.
1	GB71-M6x8	Taper End Set Screw	M6x8	11
2	C6280-06303	Shaft Sleeve		1
3	C6280-06754	Shaft I Plug		1
4	C6280-06753	Gear		2
5	C6280-06302	Worm Gear		1
6	GB894.1-30	Circlip For Shaft	30	1
7	C6280-06739	I Shaft		1
8	C6280-06120	Shaft Sleeve		1
9	C6280-06123	Shaft II、 V Plug		2
10	6106-30x55x13	Deep Groove Ball Bearing	30x55x13	2
11	C6280-06749	Spacer		2
12	GB893.1-55	Circlip for Hole	55	2
13	16006-30x55x9	Deep Groove Ball Bearing	30x55x9	8
14	C6280-06755	Gear Half Clutch		2
15	C6280-06743	Sliding Half Clutch		2
16	C6280-06750	V Shaft		1
17	GB1096-8x28	Key	8x28	2
18	GB1096-8x20	Key	8x20	2
19	C6280-06738	Gear	M8x20	1
20	6205-25x52x15	Deep Groove Ball Bearing	25x52x15	2
21	G51-4-25x45x10	Rotating Seal Ring	25x45x10	1
22	C6280-06119	II Shaft Bearing Support		1
23	C628006118	Hand wheel		1
24	GB71-M8x20	Taper End Set Screw	M8x20	1
25	GB117-4n6x18	Taper Pin	4n6x18	1
26	C6280-06737	Sleeve		1
27	C6280-06736	Lever Sleeve		1
28	GB895-14	Circlip	14	1
29	C6280-06734	Positioning Axle		1
30	Q81-1-1.4x13x48	Cylindrical Compressed Spring	1.4x13x48	1
31	C6280-06735	Lever Rod		1
32	GB119-6n6x18	Pin	6n6x18	1
33	GB894.1-25	Circlip For Shaft	25	1
34	C6280-06752	Gear		2
35	C6280-06122	Lining		1
36	C6280-06751	Gear		1
37	C6280-06740	IV Shaft		1
38	C6280-06757	Gear Shaft		1
39	C6280-06756	Spacer		1
40	943/40-40x50x38	Bearing	40x50x38	1
41	C6280-06124	Sleeve		1
42	GB894.1-40	Circlip For Shaft	40	1
43	C6280-06725	Gear		1
44	C6280-06114	Sleeve		1
45	G51-2A-35x3.1	O RING	35x3.1	1
46	C6280-06115	Liner		1
47	GB894.1-35	Circlip For Shaft	35	1
48	C6280-06732	Gear		1
49	GB891-B25	End Stopping Ring	B25	1

50	GB819-M5×14	Slotted Countersunk Screw	M5×14	1
51	C6280-06748	Gear Half Clutch		2
52	C6280-06750	Shaft V		1
53	C6280-06742	Gear		1
54	C6280-06741	Liner		1
55	C6280-06121	V Shaft Bearing Support		1
56	GB1096-5×12	Key	5×12	1
57	CW6163A-06116J	Supporting Disc		1
58	GB70-M8×20	Hex Socket Cap Screw	M8×20	3
59	GB119-6n6×8	Pin	6n6×8	1
60	C6280-06727	Gear		1
61	C6280-06726	Shaft XIV		1
62	C266C-06761J(m)	Dial		1
63	C6280-06729	Leaf Spring		1
64	C6280-06117	Dial Support		1
65	GB71-M5×8	Taper End Set Screw	M5×8	1
66	C6280-06731	C-clip		1
67	GB819-M6×12	Slotted Countersunk Screw	M6×12	1
68	GB308-5	Steel Ball	5	2
69	Q81-1-0.4×3×10	Cylindrical Compressed Spring	0.4×3×10	1
70	C6280-06730	Adjusting Screw	M5×14	1

Apron Assembly IV

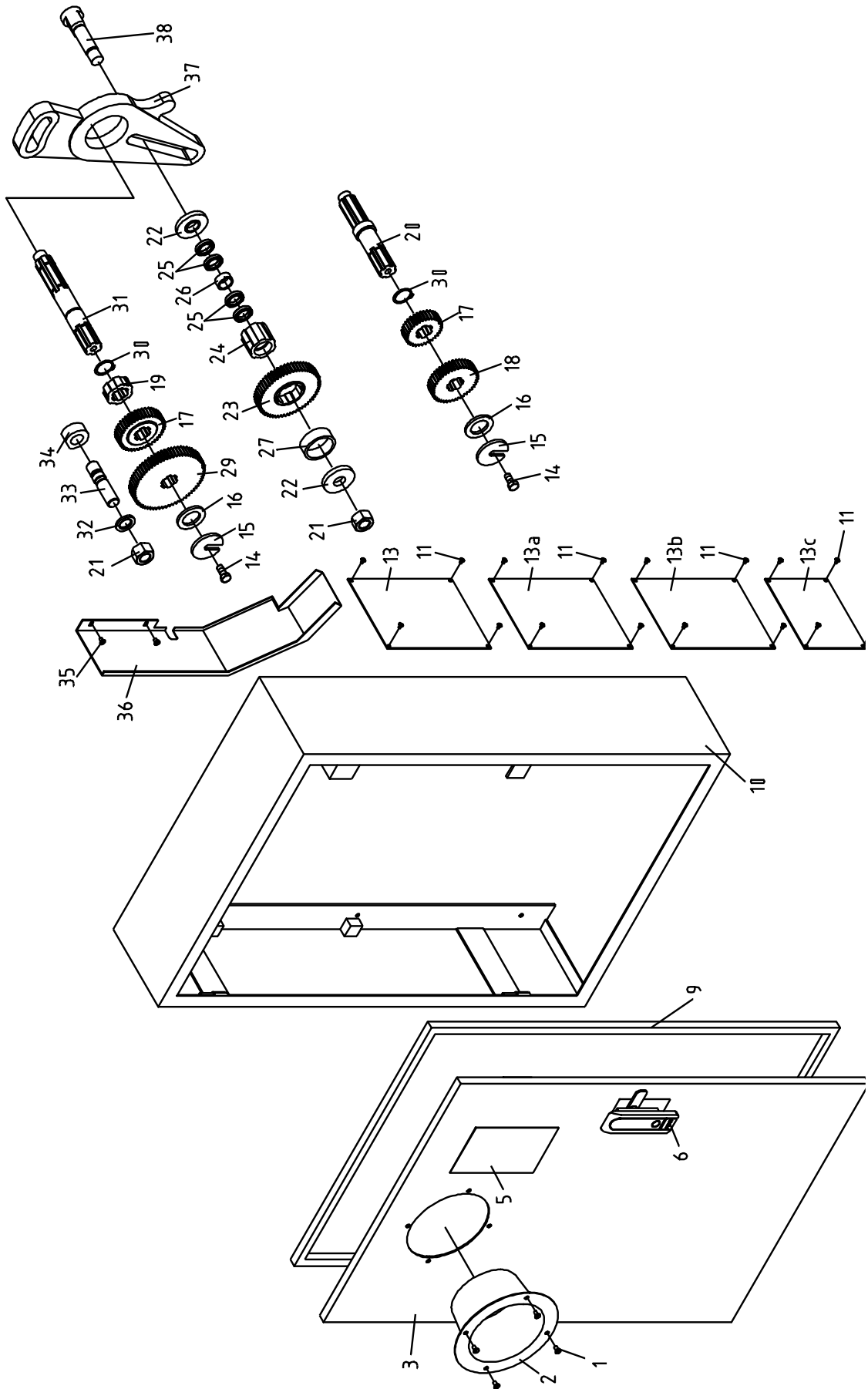


Apron Assembly IV

Index No.	Part No.	Description	Size	Qty.
1	C6280-06786	Fending Pin		1
2	GB71-M6x16	Taper End Set Screw	M6x16	1
3	GB3452.1-18x1.8	O RING	18x1.8	1
4	GB71-M8x10	Taper End Set Screw	M8x10	2
5	GB6170-M12	Hex Nut	M12	1
6	GB93-12	Spring Washer	12	1
7	GB893.1-35	Circlip for Hole	35	2
8	C6280-06796	Cylindrical Cam		1
9	6202-15x35x11	Deep Groove Ball Bearing	15x35x11	2
10	C6280-06797	Shaft IId		1
11	GB71-M6x8	Taper End Set Screw	M6x8	1
12	C6280-06104	Bracket		1
13	GB70-M10x25	Hex Socket Cap Screw	M10x25	1
14	GB70-M5x20	Hex Socket Cap Screw	M5x20	2
15	GB308-10	Steel Ball	10	2
16	Q81-1-1.5x10x24	Cylindrical Compressed Spring	1.5x10x24	1
17	C6280-06798	Positioning Sleeve		1
18	GB71-M12x25	Taper End Set Screw	M12x25	1
19	C6280-06137	Lining		1
20	GB118-8x35	Inner Thread Taper Pin	8x35	1
21	GB819-M6x14	Slotted Countersunk Screw	M6x14	1
22	C6280-06138	Left Fork		1
23	C6280-06795	Shaft IIc		1
24	C6280-06719	Roller		1
25	C6280-06718	Pin		1
26	C6280-06139	Sleeve		1
27	R51-5A-16	Round Oil Indicator	16	1
28	GB117-6x30	Taper Pin	6x30	1
29	C6280-06790	Cam		1
30	C6280-06791	Shaft VII		1
31	GB117-6x35	Taper Pin	6x35	1
32	C6280-06794	Stopping Plate		1
33	C6280-06134	Lining		1
34	C6280-06793	Positioning Disc		1
35	GB819-M6x12	Slotted Countersunk Screw	M6x12	2
36	Q81-1-1x9x32	Cylindrical Compressed Spring	1x9x32	1
37	GB117-6x80	Taper Pin	6x80	1
38	C6280-06135	Lever Support		1
39	C628006792	Lever		1
40	GB4141.12-M8x25	Lever Cap	M8x25	1
41	GB894.1-25	Circlip For Shaft	25	1
42	C6280-06752	Liner		1
43	C6280-06122	Shaft Sleeve		1
44	C6280-06744	Gear		1
45	C6280-06747	Shaft VI		1
46	GB77-M8x8	Hex Socket Set Screw	M8x8	1
47	GB894.1-45	Circlip For Shaft	45	1
48	C6280-06130	Liner		1
49	C6280-06788	Pin		1

50.....	C6280-06787	Sliding Key	1
51.....	GB91-2x16.....	Split Pin	2x16.....1
52.....	C6280-06131	Positioning Base	1
53.....	GB97.1-8.....	Washer	8.....1
54.....	GB6172-M10.....	Hex Thin Nut.....	M10.....5
55.....	C6280-06746	Set Screw	4
56.....	C6280-06745	Flat Gib.....	1
57.....	GB119-12n6x25.....	Pin.....	12n6x25.....2
58.....	C6280-06132	Bottom Of Half Nut.....	1
59.....	C6280-06789	Pushing Pin	1
60.....	GB75-M10x35.....	Slotted Long Set Screw.....	M10x35.....1
61.....	GB819-M6x16.....	Slotted Countersunk Screw.....	M6x16.....4
62.....	C6280-06133	Top Of Half Nut	1
63.....	C6280-06307	Half Nut	1

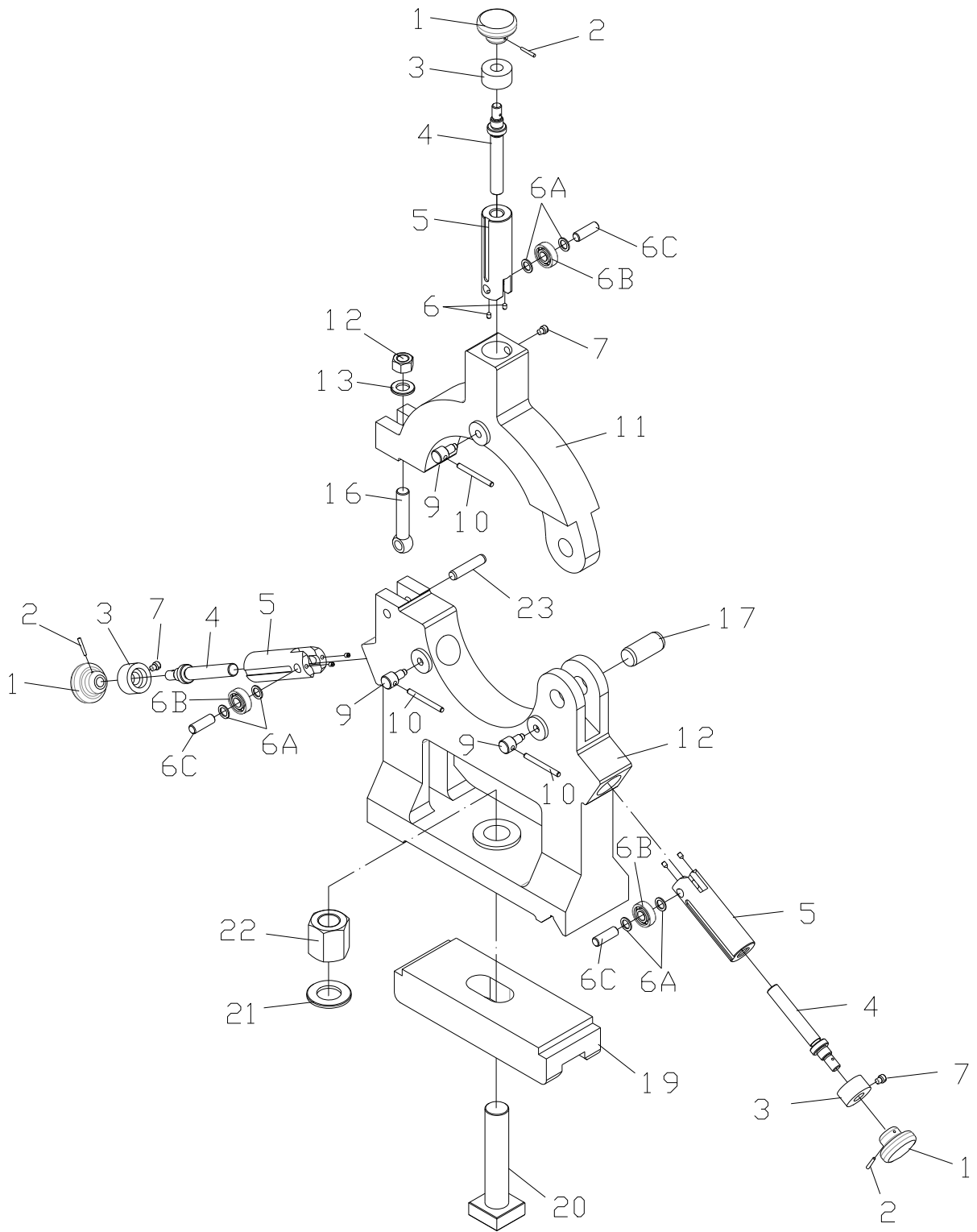
Change Gear Assembly (Metric)



Change Gear Assembly (Metric)

Index No.	Part No.	Description	Size	Qty.
1	GB818-M6x10	Cross Pan Head Screw	M6x10	4
2	CW6163A08706	Housing of Spindle		1
3	CW6163A08702C	Cover Board		1
5	CW6291B08301-1	Label		1
6	C628008708	Positioning Axle		1
9	CW6163A08501	Sealing Strip		1
10	CW6163A08701C	Back Cover		1
11	GB818-M3x6	Cross Pan Head Screw	M3x6	20
13	CW6263A08306	Feed Label		1
13a	CW6263A08301	Feed Label		1
13b	CW6263A08302	Feed Label		1
13c	CW6263A08304	Feed Label		1
13d	CW6263A02303	Label		1
14	GB5781-M12x20	Hex Bolt	M12x20	2
15	C628008706	Lock Washer		2
16	GB97.2-36	Washer	36	2
17	C628008704	Change Gear	T=42,M=2.25	2
18	C628008715	Change Gear	T=33,M=2.25	1
19	C628008705	Spline Sleeve		2
20	C628005701	I Shaft		1
21	GB6170-M24	Hex Nut	M24	2
22	C628008711	Washer		2
23	CW6163A08101	Change Gear	T=66,M=2.25	1
24	C628008710	Spline Sleeve		1
25	61805-25x37x7	Bearing	25x37x7	4
26	C628008712	Spacer		1
27	C628008709	Spacer		1
29	C628008102	Change Gear	T=57,M=2.25	1
30	GB894.1-35	Circlip For Shaft	35	2
31	C628002769	VIII Shaft		1
32	GB97.2-24	Washer	24	1
33	GB899-M24x75	Stud	M24x75	1
34	C628008703	Spacer		1
35	GB818-M6x10	Cross Pan Head Screw	M6x10	2
36	C628008701	Fence Plate		1
37	CW6163A08102	Change Gear Plate		1
38	C628008707	Shaft		1

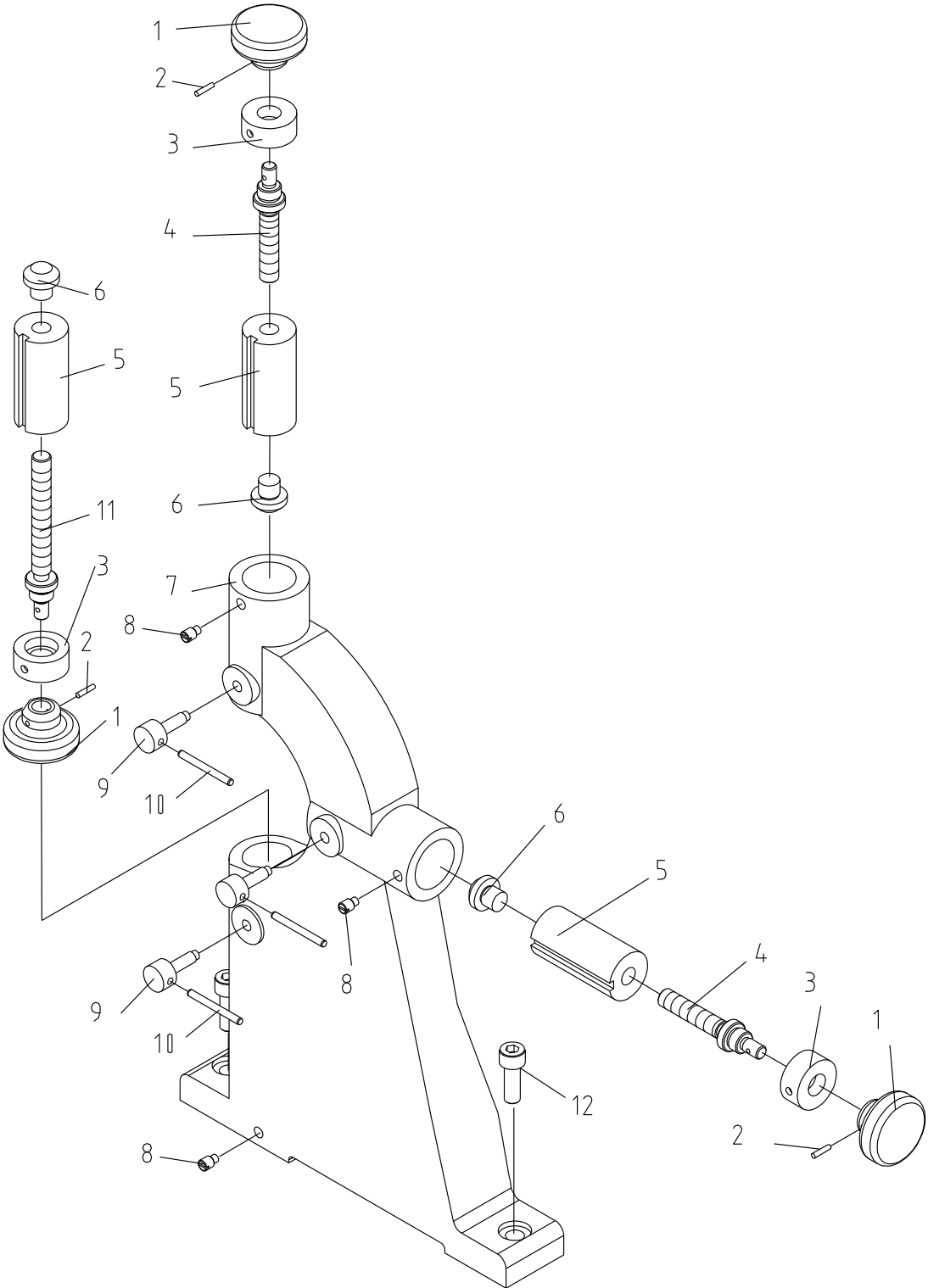
Steady Rest Assembly (Small)



Steady Rest Assembly (Small)

Index	Part			
No.	No.	Description	Size	Qty.
1	GB4141.29-Ø12	A Type Asterisk Handle	Ø12	3
2	GB117-A3x25	Taper Pin	A3x25	3
3	CW6163A10701	Sleeve		3
4	CW6163A10701B	Screw		3
5	CW6163A10702B	Sliding Sleeve		3
6	GB71	Set Screw	M5x8	3
6A	CW6163A10704B	Washer		6
6B	6201-2RS	Bearing		3
6C	CW6163A10703B	Shaft		3
7	GB75-M10x12	Slotted Long Set Screw	M10x12	3
9	CW6163A10706	Lock Screw		3
10	GB119-A6x60	Pin	A6x60	3
11	CW6163A10102	Upper Body of Steady Rest		1
12	GB56-M16	Hex Nut	M16	1
13	GB97.2-16	Washer	16	1
16	CW6163A10705	Screw		1
17	GB119-A25x55	Pin	A25x55	1
18	CW6163A10101	Lower Body of Steady Rest		1
19	CW6163A10103	Clamping Plate		1
20	CW6163A10704	T Type Screw		1
21	GB97.2-30	Washer	30	1
22	GB56-M30	Hex Nut	M30	1
23	GB119-A12x65	Pin	A12x65	1

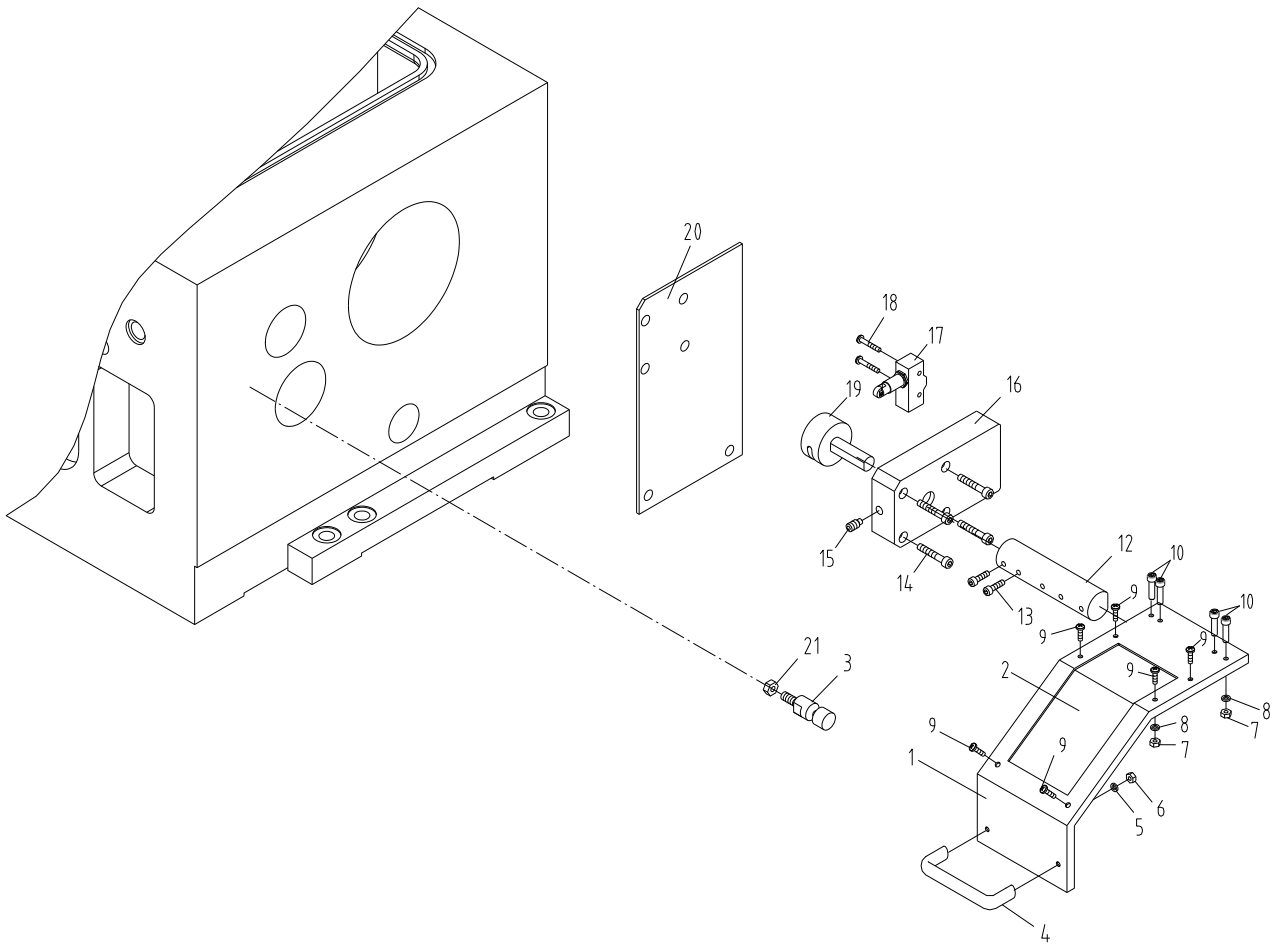
Follow Rest Assembly



Follow Rest Assembly

Index No.	Part No.	Description	Size	Qty.
1	GB4141.29-Ø12	A Type Asterisk Handle	Ø12	3
2	GB117-A3×25	Taper Pin	A3×25	3
3	CW6163A10701	Sleeve		3
4	CW6163A10707	Screw		2
5	CW6163A10708	Sliding Sleeve		3
6	CW6163A10302	Block		3
7	CW6163A10104	Follow Rest Casting		1
8	GB75-M10×12	Slotted Long Set Screw	M10×12	3
9	CW6163A10706	Lock Screw		3
10	GB119-A6×50	Pin	A6×50	3
11	CW6163A10709	Screw		1
12	GB70-M16×65	Hex Socket Cap Screw	M16×65	2

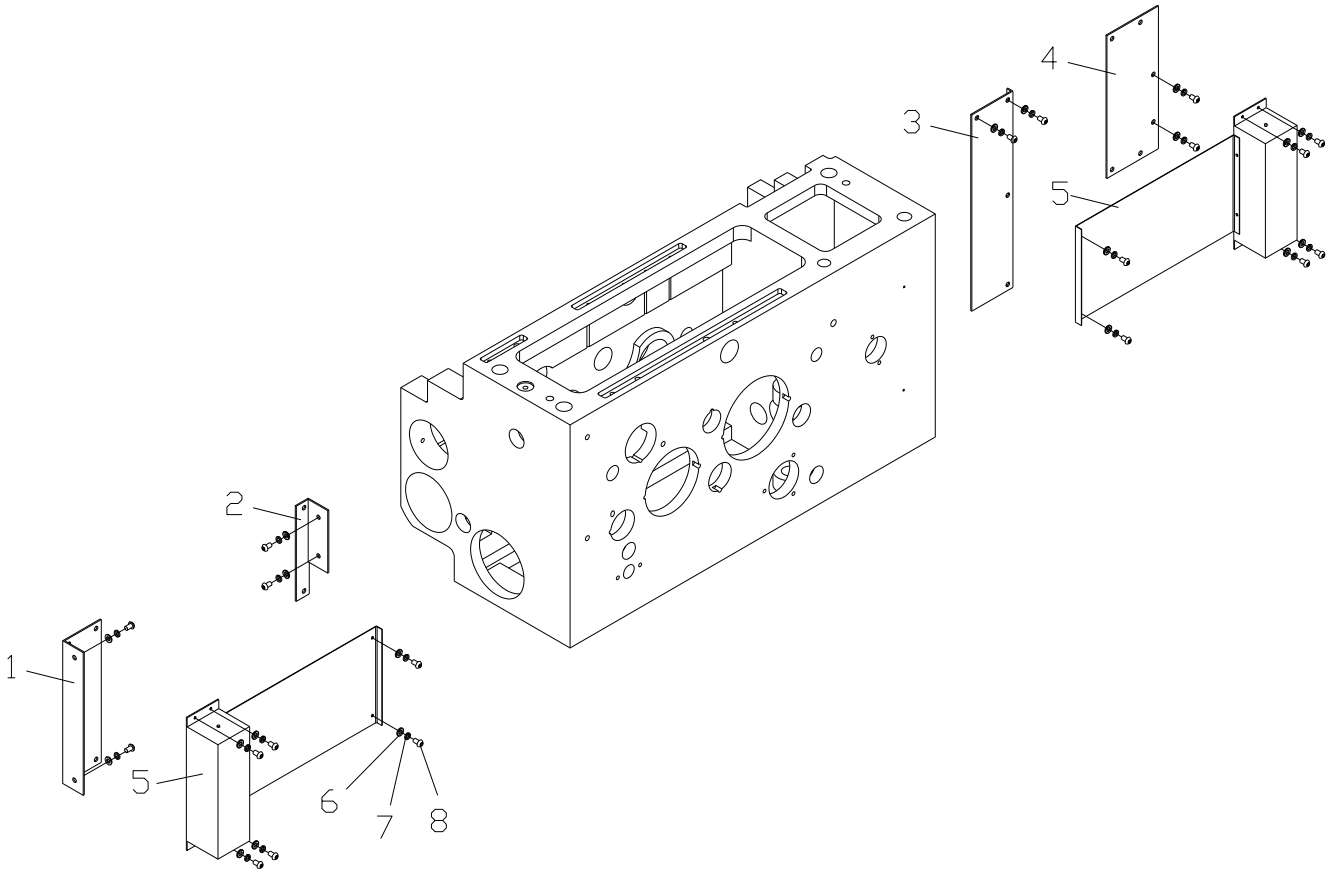
Chuck Guard Assembly



Index . Part

No.	No.	Description	Size	Qty.
1	CW6163A19701	Protection Guard		1
2	GH-1640ZX19501	Protection Guard Visual Glass		1
3	CW6291B19703	Fixing Rod		1
4	A90	Handle		1
5	GB70.1-M6x12	Hex Socket Cap Screw	M6x12	2
6	GB6172-M6	Hex Nut	M6	2
7	GB6172-M4	Hex Thin Nut	M4	4
8	GB97.2-4	Washer	4	8
9	GB818-M4x12	Cross Recessed Pan Head Screws	M4x12	6
10	GB70.1-M6x16	Hex Socket Cap Screw	M6x16	4
12	GH1640ZX19703	Shaft		1
13	GB70.1-M8x10	Hex Socket Cap Screw	M8x10	2
14	GB70.1-M6x35	Hex Socket Cap Screw	M6x35	4
15	GB79-M8x16	Hex Socket Set Screw	M8x16	1
16	GHB1340A19101	Switch Box		1
17	LXW5-11Q1	Switch		1
18	GB67-M4x25	Hex Nut	M4x25	2
19	GH1640ZX-19502	Board		1
20	CW6291B19702	Support		1
21	GB6170-M12	Nut	M12	1

Parts List for Lead Screw Protection Device



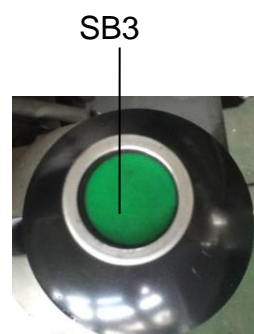
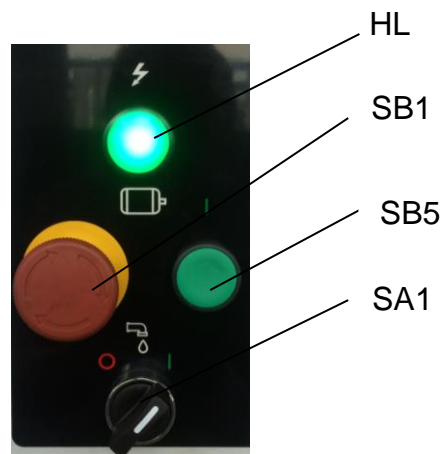
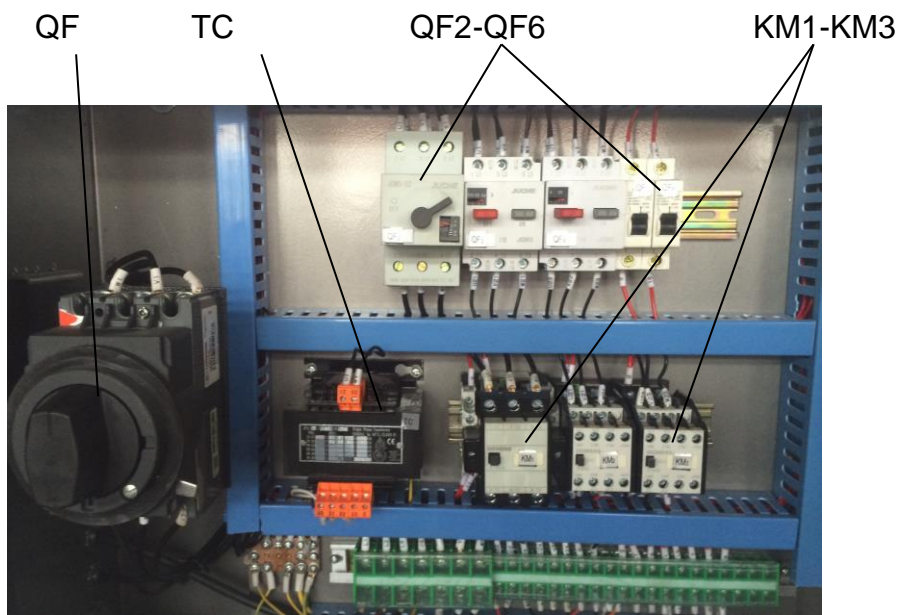
Index No.	Part No.	Description	Size	Qty.
1	C6291B07701A	Front Left Support	(for GH-2480ZHD)	1
	C6291B07701	Front Left Support	(for GH-24120ZHD)	1
2	C6291B07702A	Front Right Support	M4x6(for GH-2480ZHD)	1
	C6291B07702	Front Right Support	M4x6(for GH-24120ZHD)	1
3	C6291B07703A	Back Left Support	(for GH-2480ZHD)	1
	C6291B07703	Back Left Support	(for GH-24120ZHD)	1
4	C6291B07704A	Back Right Support	(for GH-2480ZHD)	2
	C6291B07704	Back Right Support	(for GH-24120ZHD)	2
5	LSG003	Roll-up Cover	2000(for GH-2480ZHD)	2
	LSG004	Roll-up Cover	3000(for GH-24120ZHD)	2
6	GB97.2-6	Washer	6	20
7	GB93-6	Lock Washer	6	20
8	GB70.2-6	Screw	6	20

Other Parts

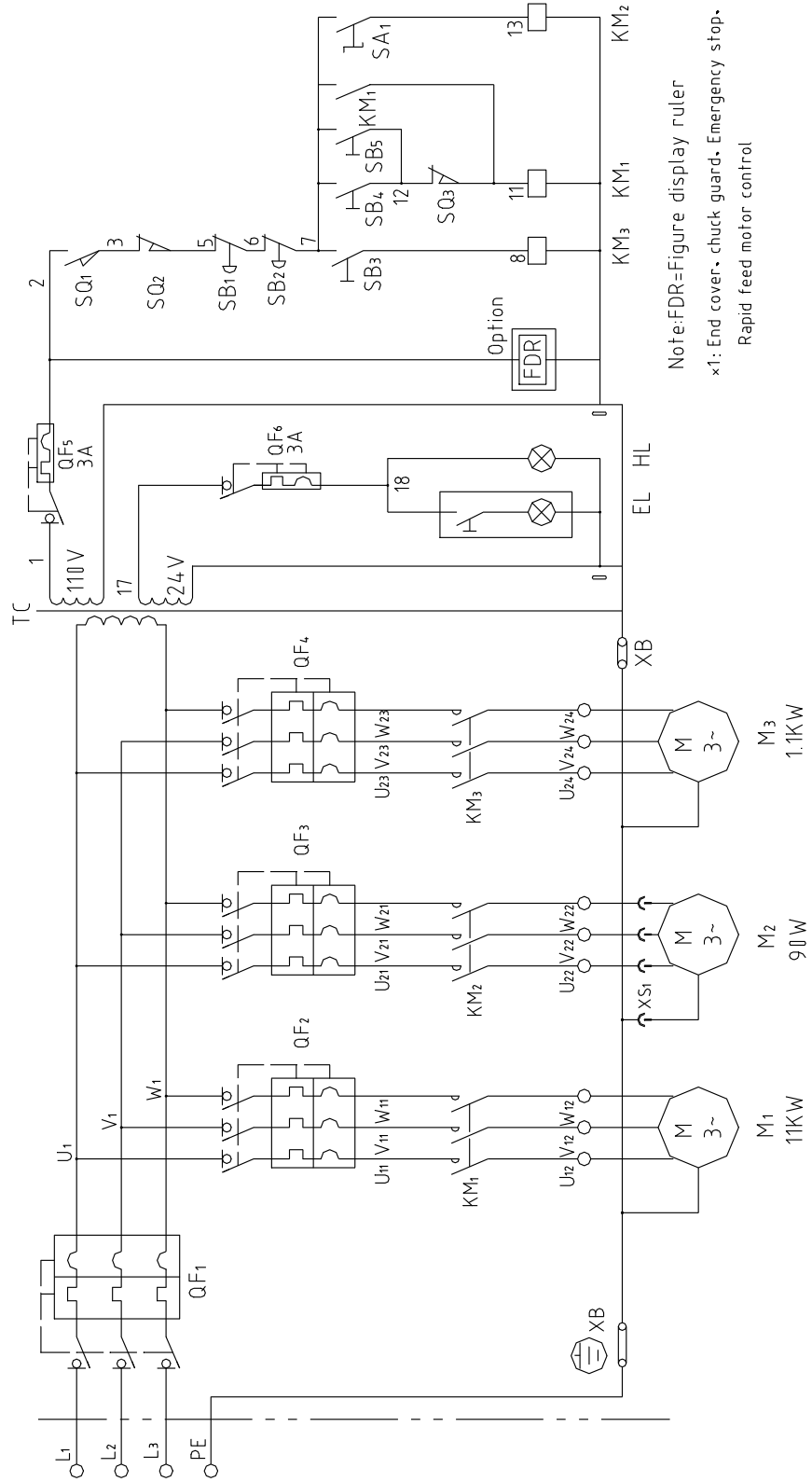
Index No.	Part No.	Description	Size	Qty.
1	DTH-120	Pads (for GH-2440ZHD)		6
	DTH-120	Pads (for GH-2480ZHD/24120ZHD)		8
1a	M16×115	Bolts (for GH-2440ZHD)		6
	M16×115	Bolts (for GH-2480ZHD/24120ZHD)		8
2	ZHDOP-1	MT-6 Live Center		1
3	ZHDOP-2	Center		1
4	ZHDOP-3	Morse Reduction Sleeve	METRIC 120(1:20) / MORSE: NO.6	1
5	ZHDOP-4	Gap Bridge Pin Driver		1
7	ZHDOP-6	Open ended wrench	12/14	1
		Open ended wrench	17/19	1
		Open ended wrench	22/24	1
		Open ended wrench	27/30	1
		Open ended wrench	41/46	1
8	ZHDOP-7	Hex Wrench	2, 6, 8, 10,12,14	6
9	ZHDOP-8	Flat Blade Screw Driver		1
	ZHDOP-9	Cross Point Screw Driver		1
10	ZHDOP-10	Cam Tightening Wrench		1
11	ZHDOP-11	Chuck Wrench		1
12	ZHDOP-12	Tool Tightening Wrench		1
13	ZHDOP-13	Oil Gun		1
14	ZHDOP-14	3-Jaw Chuck (mounted on lathe)	325, D11	1
15	ZHDOP-15	4-Jaw Chuck(not shown)	500, D11	1
16	ZHDOP-16	Face Plate(not shown)	650	1



Electric Cabinet



Master switch	Main motor	Coolant pump	Rapid feed motor	Transformer	Machine lamp	Indicator	FDR	x1	Main motor control Start	Coolant pump control
---------------	------------	--------------	------------------	-------------	--------------	-----------	-----	----	--------------------------	----------------------



Principle layout of electric apparatus.

Electric Cabinet

Index No.	Part No.	Description	Model	Size	Qty.
M1	Y160M-4TH/B3	Main Motor	Y160M-4TH/B3	15HP, 3PH, 400V, 50HZ	1
M2	NJ12-4YH	Rapid Feed Motor	NJ12-4TH	1.5HP, 3PH, 400V	1
M3	ZX-CW04E	Coolant Pump	ZX-CW04E	1/8HP, 3PH, 400V	1
QF1	ZHD-QF1	Circuit breaker		NSC100B	1
QF2	ZHD-QF2	Circuit breaker	JCM5-32	22-32A	1
QF3	ZHD-QF3	Circuit breaker (serial#2101ZHD0032and lower)	JCM5-20	0.4-0.63A	1
	ZHD-QF3	Circuit breaker (serial#2103ZHD0033and higher)	JCM5-20	0.25-0.4A	1
QF4	ZHD-QF4	Circuit breaker	JCM5-20	2.5-4A	1
QF5	ZHD-QF5	Circuit breaker	DZ47-63	3A	1
QF6	ZHD-QF6	Circuit breaker	DZ47-63	3A	1
KM1	ZHD-KM1	A.C. Contactor		3TB44	1
KM2	ZHD-KM2	A.C. Contactor		3TB40	1
KM3	ZHD-KM3	A.C. Contactor		3TB40	1
TC	ZHD-TC	Transformer		JBK5-160VATH	1
SB1	ZHD-SB1	Button	ZB2-BE102C; ZB2-BS54C	Red	1
SB2	ZHD-SB1	Button	ZB2-BE102C; ZB2-BS54C	Red	1
SB3	ZHD-SB2	Button	XB2-EA131	Green	1
SB4	ZHD-SB4	Button	ZB2-BE101C; ZB2-BA3C	Green	1
SB5	ZHD-SB4	Button	ZB2-BE101C; ZB2-BA3C	Green	1
SA1	ZHD-SA1	Turning Switch	ZB2-BE101C; ZB2-BD2C	Black	1
EL	ZHD-EL	Lam	JC52B		1
HL	ZHD-HL	Power Indicator Light	XA2-EVB3LC	Green	1
SQ1	ZHD-SQ1	Door Switch	QKS8		1
SQ2	ZHD-SQ2	Stroke Switch	LXW5-11Q1		1
SQ3	ZHD-SQ3	Stroke Switch	LXW5-11Q1		1