



JWBS-14SFX

Band Saw

JT1-394.....230V 50Hz

PARTS LIST



JPW Tool Group Hong Kong Limited

98 Granville Road, Tsimshatsui East, Kowloon, Hong Kong, PRC
www.jettools.com

Импортер в РФ: ООО «ИТА Технолоджи»

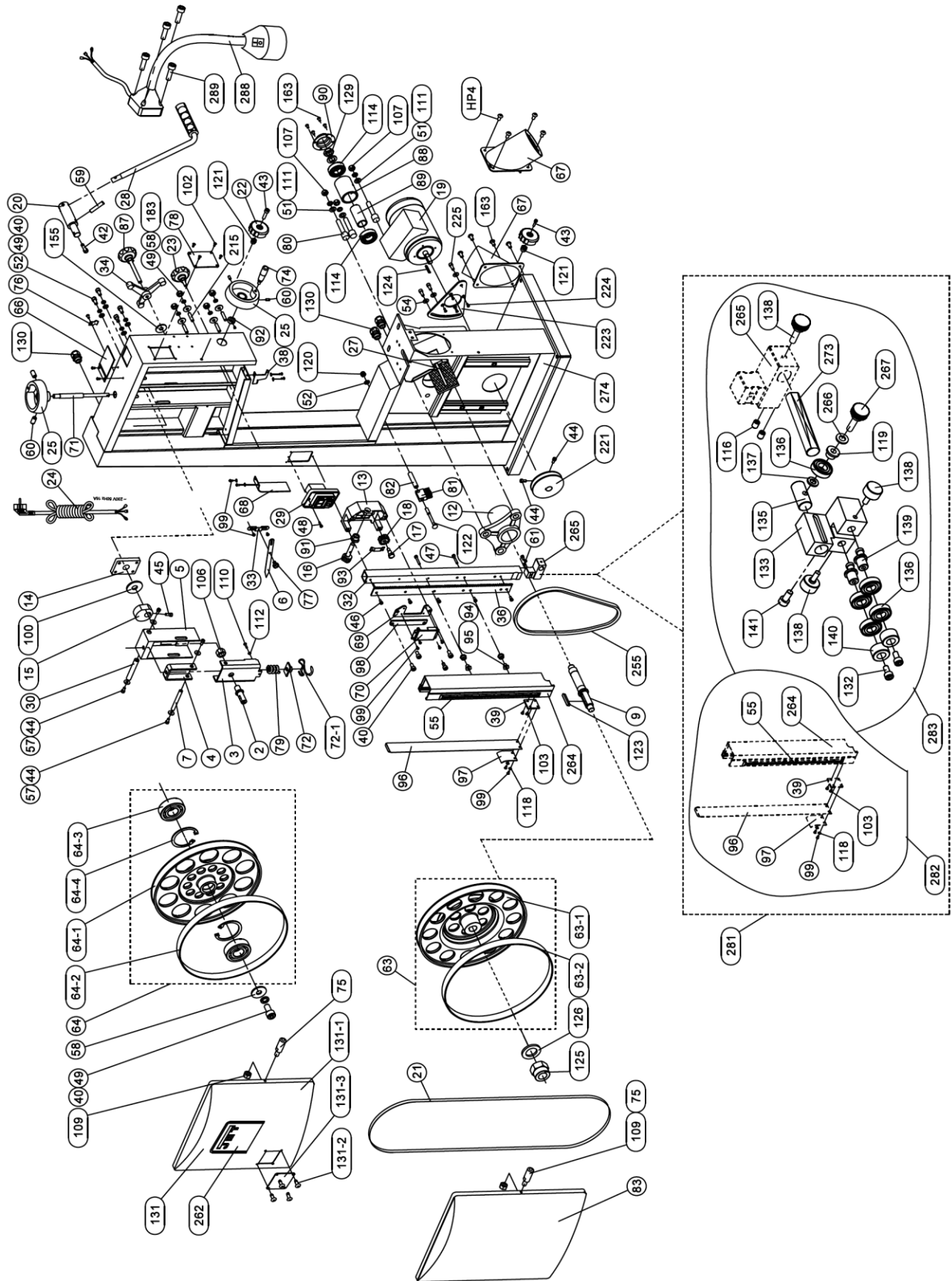
105082, Москва, Переведеновский пер., д. 17
www.jettools.ru

Made in PRC / Сделано в КНР

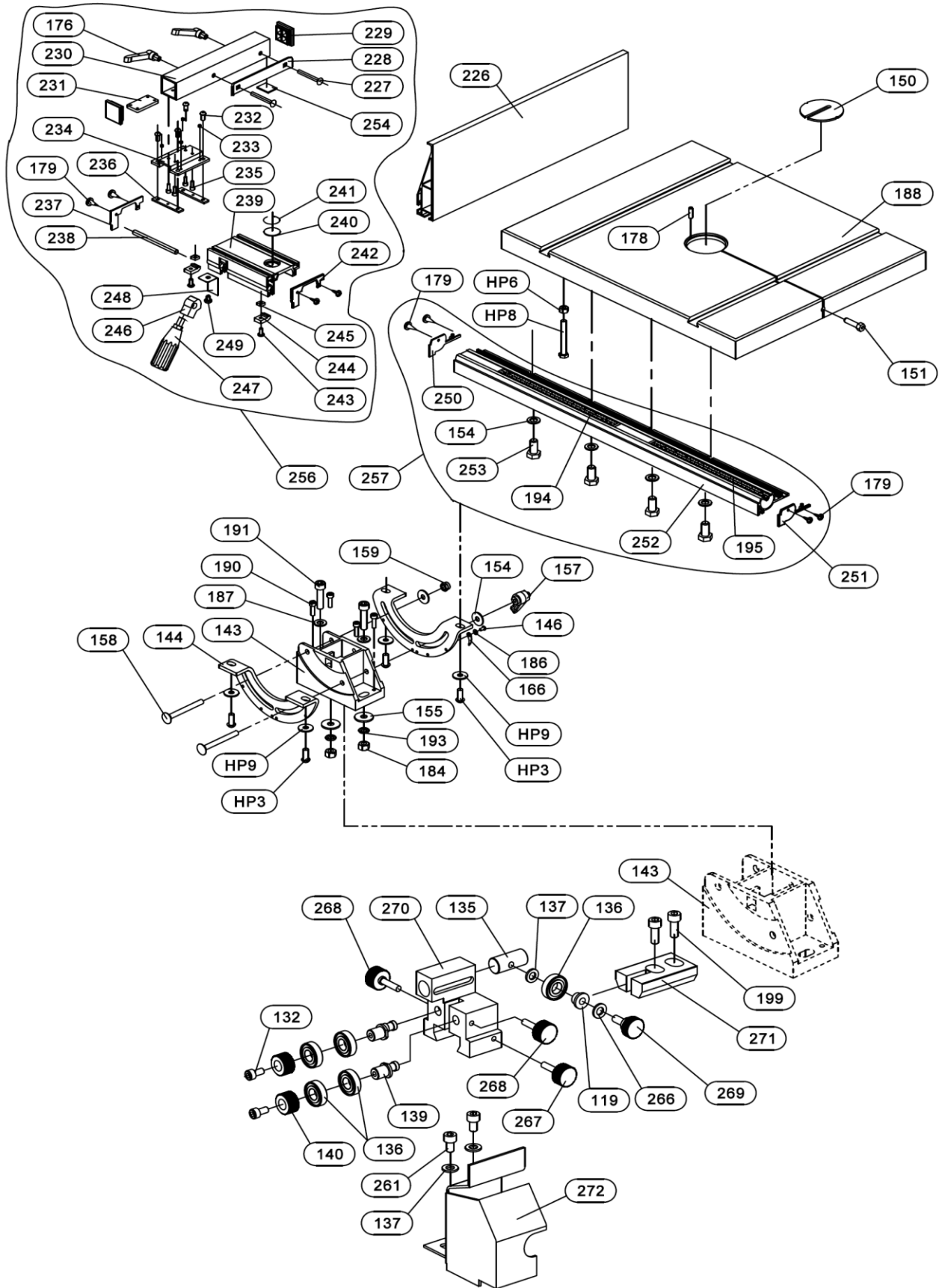
P-JT1-394

2023-08

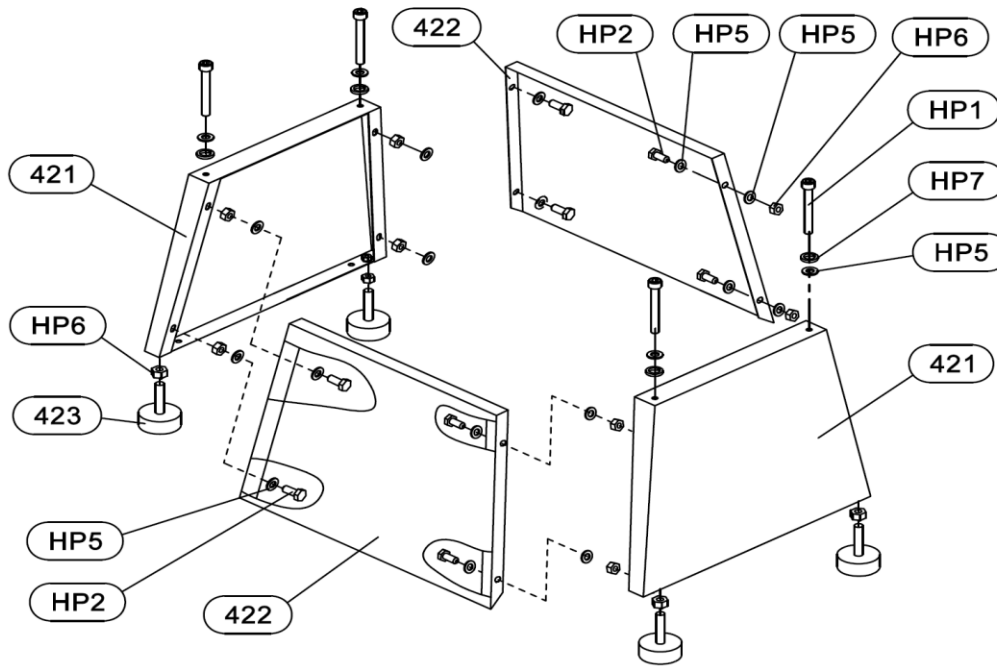
Exploded View for JWBS-14SFX Band Saw



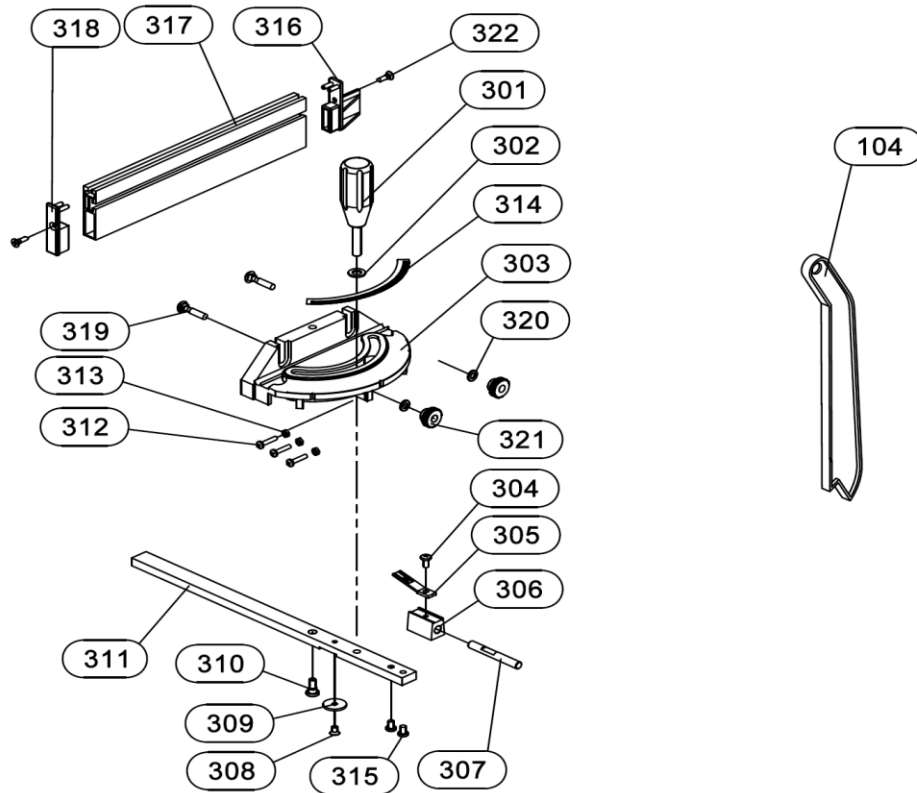
Exploded View for JWBS-14SFX Band Saw



Exploded View for JWBS-14SFX Band Saw



Optional Accessory



JWBS-14SFX Band Saw (#714400M) – Parts List

Index No	Part No	Description	Size	Qty
002	JWBS14SFX-002	Upper Wheel Shaft		1
003	JWBS14SFX-003	Upper Wheel Axis Seat		1
004	JWBS14SFX-004	U-Bracket		1
005	JWBS14SFX-005	Guide Plate		1
006	JWBS14SFX-006	Tension Pointer		1
007	JWBS14SFX-007	Shaft		1
009	JWBS14SFX-009	Lower Wheel Shaft		1
012	JWBS14SFX-012	Lower Wheel Bracket		1
013	JWBS14SFX-013	Upper Guide Mount		1
014	JWBS14SFX-014	Eccentric Base		1
015	JWBS14SFX-015	Eccentric Shaft		1
016	JWBS14SFX-016	Worm		1
017	JWBS14SFX-017	Gear Shaft		1
018	JWBS14SFX-018	Gear		1
019	JWBS14SFX-019E	Motor Assembly	1.5kW, 230V	1
	JWBS14SFX-019EWD	Wiring Diagram (not shown)		1
	JWBS14SFX-019EML	Motor Label, JWBS-14SFX (not shown)	1.5kW,230V	1
	JWBS14SFX-019MF	Motor Fan (not shown)		1
	JWBS14SFX-019MFC	Motor Fan Cover (not shown)		1
	JWBS14SFX-019ERC	Running Capacitor (not shown)	40µF, 450V AC	1
	JWBS14SFX-019ESC	Start Capacitor (not shown)	100µF, 275V AC	1
	JWBS14SFX-019JB	Junction Box (not shown)		1
	JWBS14SFX-019JBC	Junction Box Cover (not shown)		1
020	JWBS14SFX-020	Shaft		1
021	JWBS14SFX-021	Blade	116.25" x 5/8" x 0.025" x 4 TPI	1
022	JWBS14SFX-022	Door Lock Knob		2
023	JWBS14SFX-023	Knob		1
024	JWBS14SFX-024E	Power Cord		1
025	JWBS14SFX-025	Handwheel		1
027	JWBS14SFX-027	Wood Insert	70x113x7.5 mm	1
028	JWBS14SFX-028	Tension Handle and Grip		1
029	JWBS14SFX-029E	Switch Assembly	DZ-07B	1
030	JWBS14SFX-030	Shaft		1
032	JWBS14SFX-032	Upper Guide Square Tube		1
033	JWBS14SFX-033	Tension Indicator Plate		1
034	JWBS14SFX-034	Handle		1
036	JWBS14SFX-036	Upper Guide Rack		1
038	JWBS14SFX-038	Guide Pointer		1
039	JWBS14SFX-039	Plate		1
040	TS-1504031	Socket Head Cap Screw	M8x16	13
042	TS-1504061	Socket Head Cap Screw	M8x30	1
043	TS-1502051	Socket Head Cap Screw	M5x20	3
044	TS-1503031	Socket Head Cap Screw	M6x12	6
045	TS-1503071	Socket Head Cap Screw	M6x30	5
046	TS-1502021	Socket Head Cap Screw	M5x10	8
047	TS-1502071	Socket Head Cap Screw	M5x30	2
048	JWBS14SFX-048E	Socket Head Button Screw	M5x10	2
049	TS-2361081	Lock Washer	8mm	9
051	TS-2361101	Lock Washer	10mm	3
052	TS-1550061	Flat Washer	8mm	5
054	TS-1550071	Flat Washer	10mm	6
055	JWBS14SFX-051	Cutting Height Scale		1
057	TS-1550041	Flat Washer	6mm	5
058	TS-1550061	Flat Washer	8mm	5
059	F010422	Socket Set Screw, CPP	M10x50	1
060	TS-1523041	Socket Set Screw	M6x12	5
061	TS-1522011	Socket Set Screw	M5x6	3
063	JWBS14SFX-063	Lower Wheel Assembly (#63-1 thru 63-2)		1
063-1	JWBS14SFX-063-1	Lower Wheel		1
063-2	JWBS14SFX-063-2	Tire		1

Index No	Part No	Description	Size	Qty
064	JWBS14SFX-064	Upper Wheel Assembly (#64-1 thru 64-4)		1
064-1	JWBS14SFX-064-1	Upper Wheel		1
064-2	JWBS14SFX-064-2	Tire		1
064-3	BB-6203ZZ	Bearing	6203/2RZ	2
063-4	F006035	C-Retaining Ring, Internal	40mm	2
066	JWBS14SFX-066	Hinge Plate		1
067	JWBS14SFX-067	Dust Chute	100mm	2
068	JWBS14SFX-068	Protective Bending Plate		1
069	JWBS14SFX-069	Plate for Gear Box		1
070	JWBS14SFX-070	Gear Box Cover		1
071	JWBS14SFX-071A	Blade Tension Shaft	200mm	1
072	JWBS14SFX-072	Connector Nut		1
	JWBS14SFX-072-1	Cotter Pin (not shown)		1
074	JWBS14SFX-074	Knob		1
075	JWBS14SFX-075	Shaft		2
076	JWBS14SFX-076	Cord Clip		1
077	JWBS14SFX-077	Slotted Head Screw		1
078	JWBS14SFX-078	Sight Glass		1
079	JWBS14SFX-079	Spring		1
080	JWBS14SFX-080	Bolt		3
081	JWBS14SFX-081	Brush		1
082	JWBS14SFX-082	Spacer Bushing		1
083	JWBS14SFX-083	Lower Door		1
087	JWBS14SFX-087	Lock Handle		1
088	JWBS14SFX-088	Sleeve A		1
089	JWBS14SFX-089	Sleeve B		1
090	JWBS14SFX-090	Cover		1
091	JWBS14SFX-091	Thread Tube		1
092	JWBS14SFX-092	Collar		1
093	JWBS14SFX-093	Upper Guide Insert		1
094	JWBS14SFX-094	Washer A		2
095	JWBS14SFX-095	Washer B		2
096	JWBS14SFX-096	Plate		1
097	JWBS14SFX-097	Spring Plate		1
098	JWBS14SFX-098	Cover A		1
099	F009875	Socket Head Button Screw	M4x8	22
100	F009884	Socket Head Button Screw	M5x8	5
102	JWBS14SFX-102	Rivet	4x8mm	8
103	TS-2284082	Pan Head Machine Screw	M4x8	2
106	TS-154010	Hex Nut	M16	1
107	TS-1540081	Hex Nut	M12	3
109	TS-1540041	Hex Nut	M6	2
110	TS-1532052	Pan Head Machine Screw	M4x16	1
111	TS-2360121	Flat Washer	12mm	1
112	TS-1540021	Hex Nut	M4	1
114	BB-6205ZZ	Ball Bearing	6205/2RZ	2
116	TS-2276081	Socket Set Screw	M6x8	2
117	JWBS14SFX-117	Bearing Guide Rod		1
118	TS-1550021	Flat Washer	4mm	6
119	JWBS14SFX-119	Sleeve		2
120	TS-1541031	Nylon Lock Hex Nut	M8	1
122	JWBS14SFX-122	Carriage Bolt	M8x105	1
123	F014011	Key, Dbl Rd Hd	8x50mm	1
124	6294761	Key, Dbl Rd Hd	6x45mm	1
125	JWBS14SFX-125	Nylon Lock Hex Nut, LH thds	M18 Left	1
121	TS-1541011	Nylon Lock Hex Nut	M5	2
126	TS-2360181	Flat Washer	18mm	2
129	JWBS14SFX-129	Hex Nut	M18-1.5	1
130	JWBS14SFX-130	Strain Relief	M20-1.5	3
131	JWBS14SFX-131	Upper Door Assembly (#131-1 thru 131-3)		1
131-1	JWBS14SFX-131-1	Upper Door		1

Index No	Part No	Description	Size	Qty
131-2	JWBS14SFX-131-2	Rivet	4x8mm	4
131-3	JWBS14SFX-131-3	Sight Glass		1
132	TS-1502021	Socket Head Cap Screw	M5x10	4
133	JWBS14SFX-133	Upper Guide Base		1
134	TS-1503051	Socket Head Cap Screw	M6x20	2
135	JWBS14SFX-135	Bearing Nut		2
136	BB-61900ZZ	Ball Bearing	61900/2RZ	10
137	TS-1550041	Flat Washer	6mm	4
138	JWBS14SFX-138	Lock Knob		3
139	JWBS14SFX-139	Eccentric Shaft		4
140	JWBS14SFX-140	Bearing Bushing		4
141	TS-1503031	Socket Head Cap Screw	M6x12	1
143	JWBS14SFX-143	Lower Table Trunnion		1
144	JWBS14SFX-144	Upper Table Trunnion		2
146	F009884	Socket Head Button Screw	M5x8	1
150	JWBS14SFX-150	Table Insert		1
151	JWBS14SFX-151	Table Pin		1
153	TS-1550031	Flat Washer	5mm	1
154	TS-1550061	Flat Washer	8mm	6
155	TS-1550071	Flat Washer	10mm	2
157	JWBS14SFX-157	Lock Handle		1
158	JWBS14SFX-158	Carriage Bolt	M8x80	2
159	TS-1541031	Nylon Lock Hex Nut	M8	1
163	F009884	Socket Head Button Screw	M5x8	8
166	JWBS14SFX-166	Pointer		1
176	JWBS14SFX-176	Adjustable Handle		2
178	JWBS14SFX-178	Pin		1
179	F011652	Self-Tapping Screw	#8x3/8"	4
183	TS-2311081	Hex Nut	M8	3
184	TS-2311101	Hex Nut	M10	2
186	TS-1550031	Flat Washer	5mm	1
187	TS-1550071	Flat Washer	10mm	2
188	JWBS14SFX-188	Table		1
190	TS-1503051	Socket Head Cap Screw	M6x20	4
191	TS-1505061	Socket Head Cap Screw	M10x40	2
193	TS-2361101	Lock Washer	10mm	2
194	JWBS14SFX-194	Scale A		1
195	JWBS14SFX-195	Scale B		1
199	TS-1503041	Socket Head Cap Screw	M6x16	2
215	JWBS14SFX-215	Adjust Screw		1
221	JWBS14SFX-221	Motor Pulley		1
223	JWBS14SFX-223	Motor Plate		1
224	TS-1514011	Socket Head Flat Screw	M6x12	4
225	TS-1505041	Socket Head Cap Screw	M10x30	3
226	JWBS14SFX-226	Fence		1
227	JWBS14SFX-227	Carriage Bolt	M6x50	2
228	JWBS14SFX-228	Lock Bar		1
229	JWBS14SFX-229	Cap for Fence Body		2
230	JWBS14SFX-230	Fence Body		1
231	JWBS14SFX-231	Guide Plate, Screw		1
232	TS-2246122	Socket Head Button Screw	M6x12	4
233	TS-1521011	Socket Set Screw	M4x4	4
234	JWBS14SFX-234	Connecting Plate		1
235	TS-1501041	Socket Head Cap Screw	M4x12	4
236	JWBS14SFX-236	Connecting Long Plate		2
237	JWBS14SFX-237	Left Cap for Fence Guide		1
238	JWBS14SFX-238	Lock Shaft		1
239	JWBS14SFX-239	Fence Guide		1
240	JWBS14SFX-240	Cursor Stop		1
241	JWBS14SFX-241	Cursor		1
242	JWBS14SFX-242	Right Cap for Fence Guide		1

Index No	Part No	Description	Size	Qty
243	TS-1533042	Pan Head Machine Screw	M5x12	2
244	JWBS14SFX-244	Low Stop Plate		2
245	JWBS14SFX-245	Insert Plate	M5	2
246	JWBS14SFX-246	Eccentric Locking Rod		1
247	JWBS14SFX-247	Lock Handle		1
248	JWBS14SFX-248	Eccentric Locking Spring		1
249	TS-2284082	Pan Head Machine Screw	M4x8	1
250	JWBS14SFX-250	Left Cap for Fence Rail		1
251	JWBS14SFX-251	Right Cap for Fence Rail		1
252	JWBS14SFX-252	Fence Rail Extrusion		1
253	TS-1490021	Hex Cap Screw	M8x16	4
254	JWBS14SFX-254	Plate		1
255	VB-A860	V-Belt	A-860La	1
256	JWBS14SFX-256	Fence Body Assembly (includes #176,179,227~249,254)		1
257	JWBS14SFX-257	Rail Assembly (includes #179,194,195,250~252)		1
261	TS-1503021	Socket Head Cap Screw	M6x10	2
262	JWBS14SFX-262	JET Logo with Adhesive	8.6"x8"	1
264	JWBS14SFX-264	Blade Guard		1
265	JWBS14SFX-265	Upper Guide Mount		1
266	JWBS14SFX-266	Wave Washer	6mm	2
267	JWBS14SFX-267	Knurled Lock Knob A		2
268	JWBS14SFX-268	Knurled Lock Knob B		2
269	JWBS14SFX-269	Knurled Lock Knob C		1
270	JWBS14SFX-270	Guide Base, Lower Guide		1
271	JWBS14SFX-271	Wedge Way Guide		1
272	JWBS14SFX-272	Lower Blade Guard		1
273	JWBS14SFX-273	Bearing Guide Rod		1
274	JWBS14SFX-274	Saw Body		1
281	JWBS14SFX-281	Upper Blade Guard & Guide Kit - for s/n2021083118 and Lower (#39, #55, #96, #97, #99, #103, #118, #264, #116, #119, #132, #133, #135 thru141; #265 thru 267; #273)		1
282	JWBS14SFX-282	Upper Blade Guard Kit - (#39, #55, #96, #97, #99, #103, #118, #264)		1
283	JWBS14SFX-283	Upper Blade Guide Kit - (#116, #119, #132, #133, #135 thru141; #265 thru 267; #273)		1
288	JWBS14SFX-288	Light Kit (230V)		1
289	TS-1502041	Socket Head Cap Screw	M5x16	4
	LM000330E	ID Label, JWBS-14SFX (not shown)		1
	LM000331E	Warning Label, JWBS-14SFX (not shown)		1
	JET750-55	Hex wrench (not shown)	2.5mm	1
	TS-152704	Ball End Hex wrench (not shown)	3mm	1
	TS-152705	Hex Wrench wrench (not shown)	4mm	1
	TS-152706	Hex wrench (not shown)	5mm	1
	TS-152707	Hex wrench (not shown)	6mm	1
	TS-227D081	Hex Wrench (not shown)	8mm	1
	LM000332	Quick Release Label, JWBS-14SFX (not shown)		1
	JWBS14SFX-HPN	Hardware Package (see sect. 4.3 for contents; Fig.1)		
HP1	TS-1504101	Socket Head Cap Screw	M8x50	4
HP2	TS-2228161	Hex Cap Screw	M8x16	8
HP3	TS-2248202	Socket Head Button Screw	M8x20	4
HP4	F009884	Socket Head Button Screw	M5x8	4
HP5	TS-1550061	Flat Washer	8mm	20
HP6	TS-2311081	Hex Nut	M8	12
HP7	TS-2361081	Lock Washer	8mm	4
HP8	F009484	Hex Cap Screw	M8x65	1
HP9	JWBS14SFXHP9	Large Flat Washer	24x8x2mm	4

JWBS-14SFX Stand (#714402) – Parts List

Index No	Part No	Description	Size	Qty
	714402	Band Saw Stand Assembly (#421 thru 428)		1
421	JWBS14SFX-421	Stand Base		2
422	JWBS14SFX-422	Stand Plate		2
423	JWBS14SFX-423	Rubber Foot		4
HP1	TS-1504101	Socket Head Cap Screw	M8x50	4
HP2	TS-2228161	Hex Cap Screw	M8x16	8
HP5	TS-1550061	Flat Washer	8mm	20
HP6	TS-2311081	Hex Nut	M8	12
HP7	TS-2361081	Lock Washer	8mm	4
	JWBS14SFX-429	JET Stripe, JWBS-14SFX (not shown)		1

Miter Gauge Assembly for JWBS-14SFX Band Saw* (Optional Accessory)

Index No	Part No	Description	Size	Qty
	JWBS14SFX-300	Miter Gauge Assembly (#301 thru 322)		1
301	JWBS14SFX-301	Miter Gauge Handle		1
302	TS-1550061	Flat Washer	8mm	1
303	JWBS14SFX-303	Miter Gauge		1
304	TS-1534041	Flat Head Machine Screw	M5x10	1
305	JWBS14SFX-305	Pointer		1
306	JWBS14SFX-306	Pointer Base		1
307	JWBS14SFX-307	Shaft		1
308	JWP208-053A	Flat Head Machine Screw	M5x8	1
309	JWBS14SFX-309	Washer		1
310	JWBS14SFX-310	Screw		1
311	JWBS14SFX-311	Sliding Guide		1
312	TS-2284202	Pan Head Machine Screw	M4x20	3
313	TS-1540021	Hex Nut	M4	3
314	JWBS14SFX-314	Scale		1
315	TS-1533032	Pan Head Machine Screw	M5x10	2
316	JWBS14SFX-316	Cap A		1
317	JWBS14SFX-317	Miter Gauge Fence		1
318	JWBS14SFX-318	Cap B		1
319	JWBS14SFX-319	Carriage Bolt	M6x30	2
320	TS-1550041	Flat Washer	6mm	2
321	JWBS14SFX-321	Thumbnut	M6	2
322	F011652	Self-Tapping Screw	#8x3/8"	2

Optional Accessory* – Blade & Push Stick

Index No	Part No	Description	Size	Qty
104	JWBS14SFX-104	Push Stick, Red		1

* Optional Accessory – see your dealer to order.

